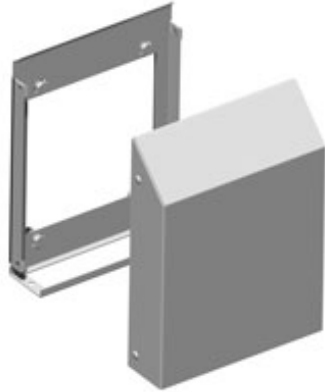


Filterfan Rainhoods *RH Series*

Type 3R



Application

- Type 3R / Outdoor Rainhoods
- Protection against rain and snow or large airborne debris
- Sold individually

Features

- Easy installation
- Covers many external mounted Fans & Grills
- Fits PF2000/PF22000 thru PF5/6/7000 series Filterfans
- Tamperproof hardware and sealing gasket provided

Standards

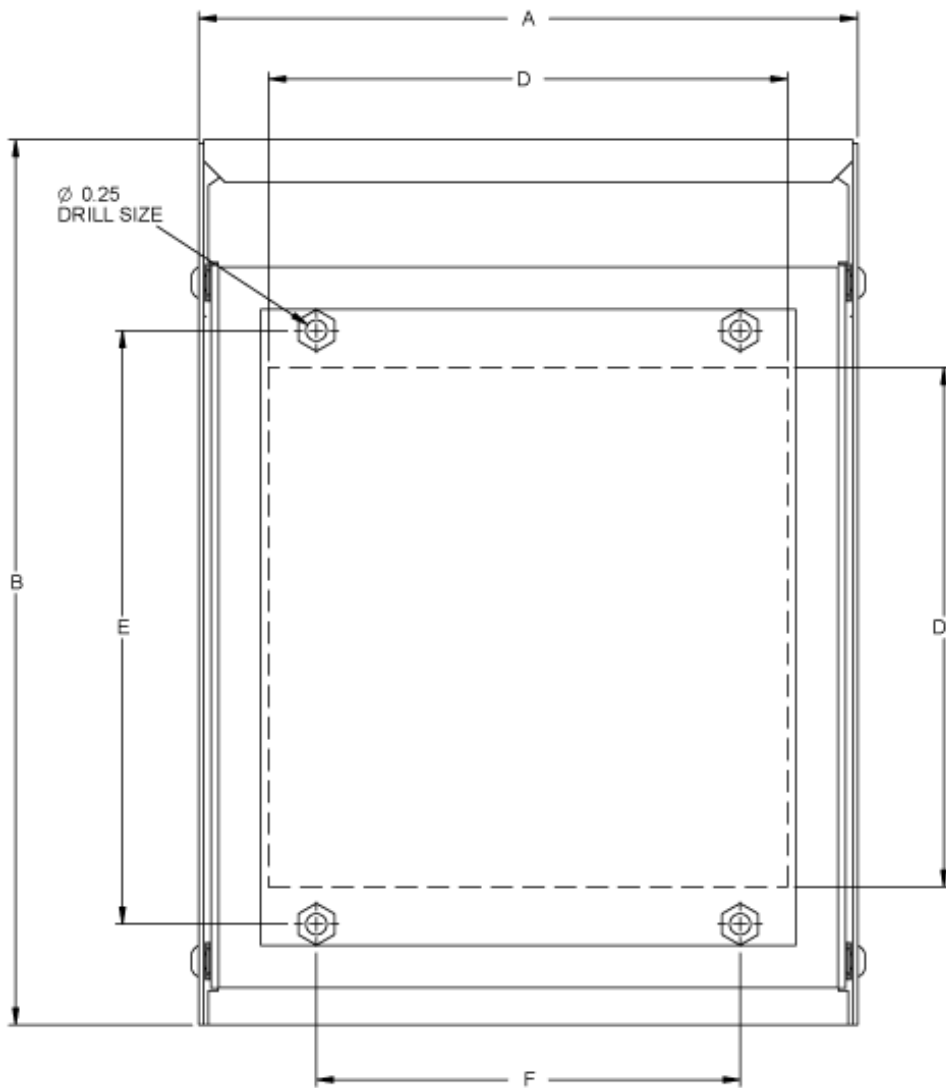
- UL 508A type 3R
- CSA C22.2 #94-M1

Finish

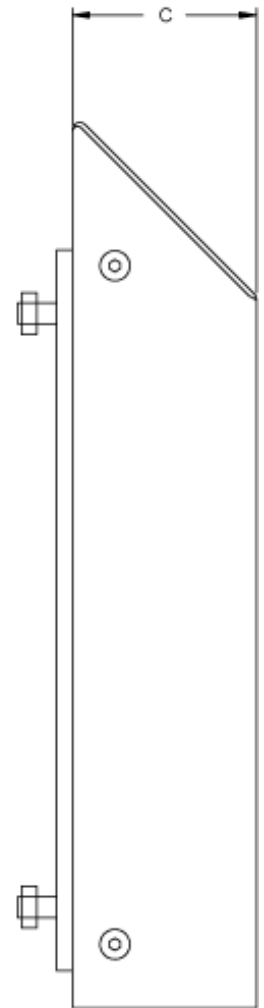
- Cover offered in ANSI61 gray or RAL7035 light gray powder coated finish on mild steel
- Also offered in stainless steel 304 #4 finish
- Base in Galvanized sheet steel

Grill/Solid Cover Kit

- Can be installed in bottom opening of rain hood
- Grill allows ventilation while preventing unwanted entry of large contaminants
- Solid cover allows sealing of opening when fan/filter not in use



INSIDE VIEW



SIDE VIEW

Part No.	Overall Dimensions			Cut-out D	Bolt Pattern		Use with	Finish
	A	B	C		E	F		
RH2000GY	7.77	10.44	2.17	6.12	7.00	5.00	PF2000/PF22000 Series	ANSI 61 Gray
RH2000LG	7.77	10.44	2.17	6.12	7.00	5.00	PF2000/PF22000 Series	RAL7035
RH2000SS	7.77	10.44	2.17	6.12	7.00	5.00	PF2000/PF22000 Series	Stainless Steel
RH4000GY	11.71	14.57	3.35	10.12	11.00	9.00	PF25, 30, 32, 43000 Series	ANSI 61 Gray
RH4000LG	11.71	14.57	3.35	10.12	11.00	9.00	PF25, 30, 32, 43000 Series	RAL7035
RH4000SS	11.71	14.57	3.35	10.12	11.00	9.00	PF25, 30, 32, 43000 Series	Stainless Steel
RH6000GY	14.66	15.88	4.33	13.00	13.88	12.00	PF5,6,7000, 65, 67000 Series	ANSI 61 Gray
RH6000LG	14.66	15.88	4.33	13.00	13.88	12.00	PF5,6,7000, 65, 67000 Series	RAL7035
RH6000SS	14.66	15.88	4.33	13.00	13.88	12.00	PF5,6,7000, 65, 67000 Series	Stainless Steel

Grill/Solid Cover Kit

Part No.	Use With	Finish
RHA2000G	RH2000GY, LG, SS	Galvanized Steel
RHA4000G	RH4000GY, LG, SS	Galvanized Steel
RHA6000G	RH6000GY, LG, SS	Galvanized Steel

Data subject to change without notice

