

EPIC® HBS Series

Screw-Terminated Inserts for High Current Power Applications



EPIC® HBS series inserts are characterized by their higher current-carrying capacity: a little more than twice the capacity of the EPIC® HBE series. A secure electrical connection can be made by simple screw termination for cables up to 10 AWG.

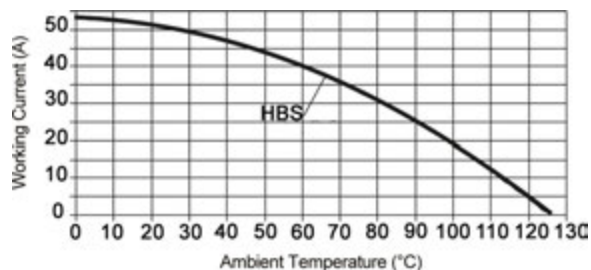
Technical Data

Number of Contacts:	6, 12 (+PE)	Test Voltage:	6 kV
Temperature Range:	-40°C to +100°C	Rated Voltage:	
- Short-term:	up to +125°C	- UL/CSA:	600V
		- IEC:	500V
Pollution Level:	3	Rated Current:	
		- UL/CSA; IEC:	35A
Mating Cycles:	- Per DIN EN 61984:2008 Service Life Test: Tested to 100 cycles and passed - Per Contact Thermal Test: Useful service up to 500 cycles is possible at rated voltage and current*	Wire Size:	20- 10 AWG (0.5-6 mm ²)
		Contact Material:	Silver-plated copper alloy
		Contact Resistance:	< 2 mΩ

* In dry, non-conductive, non-corrosive environments when protected in a housing rated at least IP54 and disconnected for cycling and maintenance only.

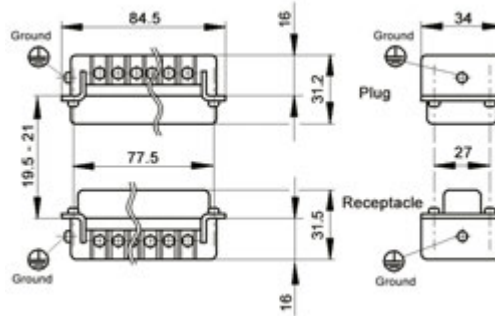
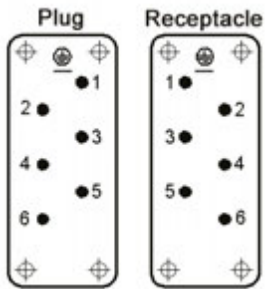
EPIC® HBS Inserts: Derating Curves

EPIC® HBS Screw-Terminated 10 AWG (6 mm²)



EPIC® HBS 6 Inserts
Screw-Terminated

view from cable side



all dimensions are in mm.

Approvals



Compatible Housing

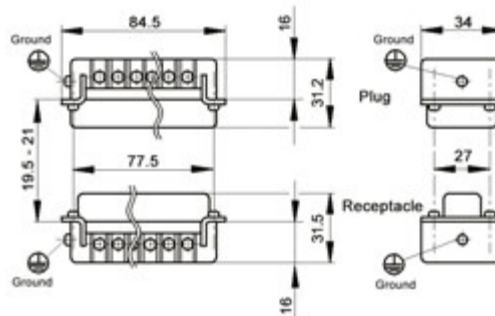
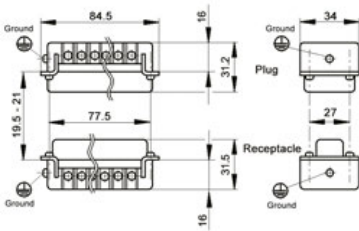


EPIC® HB 16
page 381

Description	Plug	Receptacle
Screw-Terminated with Wire Protection	10170000	10171000

EPIC® HBS 12 Inserts
Screw-Terminated

view from cable side




all dimensions are in mm.

Approvals



Compatible Housing



EPIC® HB 32
page 393

Description	Contacts	Plug	Receptacle
Screw-Terminated with Wire Protection	#1 - 6	10170000	10171000
	#7 - 12	10170600	10171600

Photographs are not to scale and are not true representations of the products in question. If not otherwise specified, all values relating to the product are nominal values. For current information go to our website.