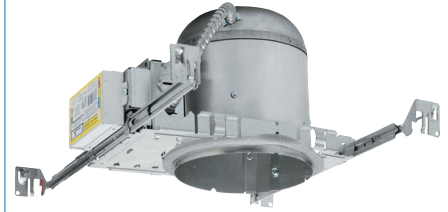


Recessed Compact Fluorescent

CFRIC6V13Q/18Q/26QNB 6" Design/Build-AirSeal™ IC Rated Vertical Downlight, Socket Supporting



Specifier's Reference

Project
Type
Model No.
Comments

application

- IC rated downlight for long-life, energy efficient compact fluorescent lamps. Provides broad, uniform light distribution with excellent color rendition. Ideal for areas that require long hours of continuous operation.

features

- AirSeal™ housing.
- Socket snaps into trim for consistent lamp position.
- IC rated for insulated ceiling applications.
- Specular reflectors for excellent light output.
- Grooved baffle reduces glare at aperture.
- Die-stamped plaster frame.
- c/ETL listed for damp locations and through branch circuit wiring.
- California Title 24 compliant.

construction

- Ballast: **NE1** 120V electronic normal power factor ballasts operates four pin GX24q compact fluorescent lamps over 45khz. Ballast meets FCC Part 18 on consumer limits on EMI/RFI. Minimum starting temperature of 0 degrees Fahrenheit. Ballast features auto shutdown at end of lamp life. **NE1** electronic normal power factor ballast is designed to operate compact fluorescent lamps to ANSI Standard IEC C-78-901-2005. **DA1** 120V electronic normal power factor powerline dimming ballast. Continuous dimming down to 15 percent. Minimum starting temp of 50 degrees Fahrenheit. Ballast meets FCC Part 18 on consumer limits to EMI/RFI. Ballast is designed to operate compact fluorescent lamps to ANSI standard IEC C-78-901-2005. Universal voltage (**U**) is 120V through 277V, total harmonic distortion less than 10% (THD<10%) and high power factor (>0.90).
- Bar Hanger: Pre-Installed BH1 bar hangers telescope from 16 to 24 inches. Alignment holes to center fixture are located at 16" and 24" centers. Bar hanger is equipped with heavy-duty fluted nails. Interlocking support tabs provide smooth adjustment on bar hangers.

- Plaster Frame: Precision die-stamped plaster frame of galvanized steel. Mounting frame accommodates ceiling materials from 1/2" to 1-3/8" thick.
- Reflector: Precision spun .05 aluminum with anodized or painted finish.
- Baffle: Precision spun .04 aluminum with deep grooves to reduce aperture glare. Non-reflective matte black or white finish.
- Socket: Compact Fluorescent socket mounted to socket supporting bracket allows socket to snap directly to finish trim. Secured socket provides consistent luminaire-to-luminaire lamp position.
- Junction Box: Extra large 32 cubic inch .063" galvanized steel with snap on cover and ground wire riveted to frame. Approved for Through Branch Circuit Wiring with up to 4 #12 guage AWG conductors. Knockouts for 1/2" and 3/4" conduit and 4 romex pry-outs with strain relief. Meets all safety requirements of c/ETL and NEC.
- c/ETL Listing: c/ETL Listed for damp locations.
- AirSeal™: Luminaire is AirSeal™ rated per ASTM E283 limiting passage of air through housing to no more than 2.0 CFM at 75 Pascals. AirSeal™ housing meets restricted airflow requirements of Washington State Energy Code (W.S.E.C.) and International Energy Conservation Code (I.E.C.C.). Luminaire supplied with preinstalled gasket to ensure AirSeal™ installation.



Sample Catalog Number: CFRIC6V26QNEINB-RBC30WM

 Housing	 Ballast	NB Socket	— Trims (choose one)
<p>CFRIC6V13Q – CFM13/GX24Q (electronic)</p> <p>CFRIC6V18Q – CFM18/GX24Q (electronic)</p> <p>CFRIC6V26Q – CFM26/GX24Q (electronic)</p>	<p>NE1 – Electronic normal power factor ballast 120V</p> <p>DA1 – Electronic normal power factor dimming ballast 120V¹</p> <p>U – Universal Electronic high power factor ballast 120-277V</p>	<p>NB – No Bracket</p>	<p>RBD40 – Deep Full Baffle Black</p> <p>RBD40W – Deep Full Baffle White</p> <p>RBC30M – Full Baffle Black</p> <p>RBC30WM – Full Baffle White</p> <p>RAD40CLR – Deep Cone, Clear</p> <p>RAD40W – Deep Cone, White</p> <p>SHR61CW – Shower Trim, Regressed Prismatic Lens, Polycarbonate Flange</p> <p>RB101W – Clear Reflector with White Baffle</p> <p>RB101 – Clear Reflector with Black Baffle</p> <p>RBA100CLR – Clear Reflector</p> <p>RBA100BLK – Black Reflector</p> <p>RBA100WHT – White Reflector</p> <p>RB45W – Scoop Wall Wash, Black Baffle</p>

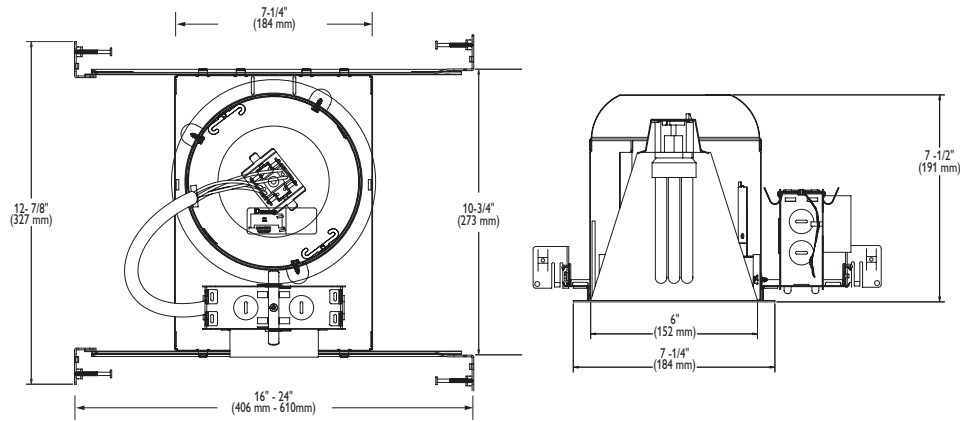
Footnotes:

1. DA1 for 26 Watt models only. Two wire phase dimming to 15%.

General Notes:

Lamp compatibility is noted under housings.
Electronic ballast is available with GX24Q lamp only.

dimensions



trims



RBC30M Full Black Baffled Reflector
RBC30WM Full White Baffled Reflector

Socket Supporting
 7-1/16" O.D. (179 mm)

Housing	Lamp
CFRIC6V13Q	CFM13W/GX24Q
CFRIC6V18Q	CFM18W/GX24Q
CFRIC6V26Q	CFM26W/GX24Q



RB101 (shown)
 Clear Reflector Black Baffle
RB101W
 Clear Reflector White Baffle

Socket Supporting
 7-1/16" O.D. (179 mm)

Housing	Lamp
CFRIC6V13Q	CFM13W/GX24Q
CFRIC6V18Q	CFM18W/GX24Q
CFRIC6V26Q	CFM26W/GX24Q



SHR6ICW
 Polycarbonate Shower-Prismatic Glass

Socket Supporting
 Wet Location
 8" O.D. (203 mm)

Housing	Lamp
CFRIC6V13Q	CFM13W/GX24Q
CFRIC6V18Q	CFM18W/GX24Q
CFRIC6V26Q	CFM26W/GX24Q



RB45 (shown)
 Scoop Wall Wash, Black Baffle Scoop
RB45W
 Scoop Wall Wash, White Baffle Scoop

Socket Supporting
 7-1/16" O.D. (179 mm)

Housing	Lamp
CFRIC6V13Q	CFM13W/GX24Q
CFRIC6V18Q	CFM18W/GX24Q
CFRIC6V26Q	CFM26W/GX24Q



RBA100BLK Black Cone
RBA100CLR Clear Cone
RBA100WHT White Cone

Socket Supporting
 7-1/16" O.D. (179 mm)

Housing	Lamp
CFRIC6V13Q	CFM13W/GX24Q
CFRIC6V18Q	CFM18W/GX24Q
CFRIC6V26Q	CFM26W/GX24Q



RBD40W (Shown)
 Deep Stepped Baffle White
RBD40 Deep Stepped Baffle Black

Socket Supporting
 7-1/16" O.D. (179 mm)

Housing	Lamp
CFRIC6V13Q	CFM13W/GX24Q
CFRIC6V18Q	CFM18W/GX24Q
CFRIC6V26Q	CFM26W/GX24Q



RAD40W (shown)
 Deep Cone White
RAD40CLR
 Deep Cone Clear

Socket Supporting
 8" O.D. (203 mm)

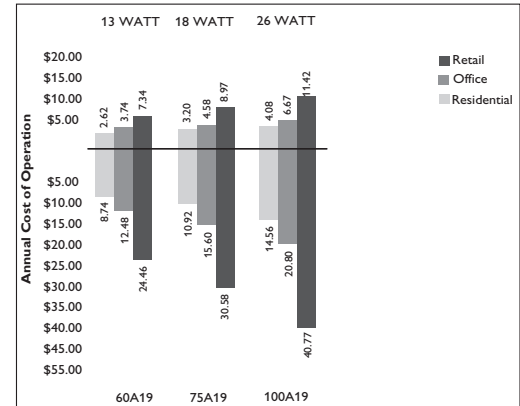
Housing	Lamp
CFRIC6V13Q	CFM13W/GX24Q
CFRIC6V18Q	CFM18W/GX24Q
CFRIC6V26Q	CFM26W/GX24Q

energy data

Operating Characteristics

Catalog Number	Lamp	Line Amps	Input Watts	Power Factor	Min. Start Temp.
CFRIC6V13QNE1NB	CFM13W/GX24Q	0.26	15	>50%	0°F
CFRIC6V13QUNB-120V	CFM13W/GX24Q	0.15	16	98%	0°F
CFRIC6V13QUNB-277V	CFM13W/GX24Q	0.07	18	98%	0°F
CFRIC6V18QNE1NB	CFM18W/GX24Q	0.34	22	>50%	0°F
CFRIC6V18QUNB-120V	CFM18W/GX24Q	0.19	22	98%	0°F
CFRIC6V18QUNB-277V	CFM18W/GX24Q	0.08	22	98%	0°F
CFRIC6V26QNE1NB	CFM26W/GX24Q	0.40	28	>50%	0°F
CFRIC6V26QUNB-120V	CFM26W/GX24Q	0.32	28	98%	0°F
CFRIC6V26QUNB-277V	CFM26W/GX24Q	0.014	28	98%	0°F
CFRIC6V26QDA1NB	CFM26W/GX24Q	0.45	28	50%	50°F

LUMINAIRE WATTAGE CONSUMPTION COMPARISON



©2012 Philips Omega
 All rights reserved.
 776 South Green Street • Tupelo, MS 38804
 p. 800.234.1890 • f. 662.841.5501
 www.omegalighting.com
 Canadian Division
 189 Bullock Drive • Markham, Ontario L3P 1W4
 p. 905.294.9570 • f. 905.294.9811

Contact Factory for Additional Configurations.

Specifications are subject to change without notice.

Some luminaires use fluorescent or high intensity discharge (HID) lamps that contain small amounts of mercury. Such lamps are labeled, "Contain Mercury" and/or the symbol "HG". Lamps that contain mercury must be disposed of in accordance with local requirements. Information regarding lamp recycling and disposal can be found at www.lamprecycle.org

