



**Specifier's Reference**

Project
Type
Model No.
Comments

**application**

- Philips Capri 6" high efficiency CFL downlight for new construction. Provides broad uniform light distribution for general illumination. Ideal for areas that require long hours of continuous operation.

**construction**

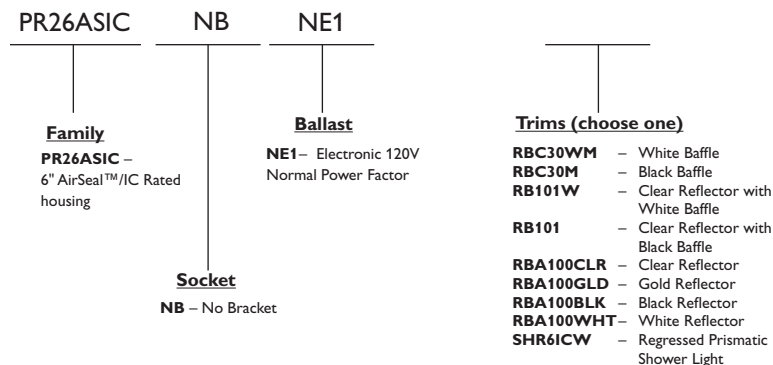
- Ballast - NE1 electronic ballast 120V, normal power factor
- Bar Hanger - Pre-Installed BH-1 bar hangers telescope from 10.5 to 25 inches. Alignment holes to center fixture are located at 10.5" and 25" centers. Bar hanger is equipped with heavy-duty fluted nails. Interlocking support tabs provide smooth adjustment on bar hangers.
- Plaster Frame - Precision die-stamped plaster frame of galvanized steel. Mounting frame accommodates ceiling materials from 1/2" to 1-3/8" thick.
- Reflector - Reflectors include universal feature allowing trim to be used on Capri Lighting Title 24 IC/AirSeal rated high efficacy compact fluorescent downlights and select Philips Capri incandescent 6 inch IC/AirSeal™ rated downlights.
- Baffle - Precision spun .04 aluminum with deep grooves to reduce aperture glare. Non-reflective matte black or white finish.
- Socket - One vertically mounted socket orients lamp at optical focal plane of reflector for precise optics.
- Junction Box - Extra large 32 cubic inch .063" galvanized steel with snap on cover and ground wire riveted to frame. Approved for Through Branch Circuit Wiring with up to 3 #12 gauge AWG conductors. Knockouts for 1/2" and 3/4" conduit and 4 romex pry-outs with strain relief.

**listings**

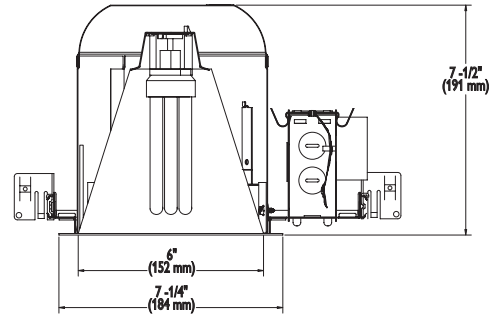
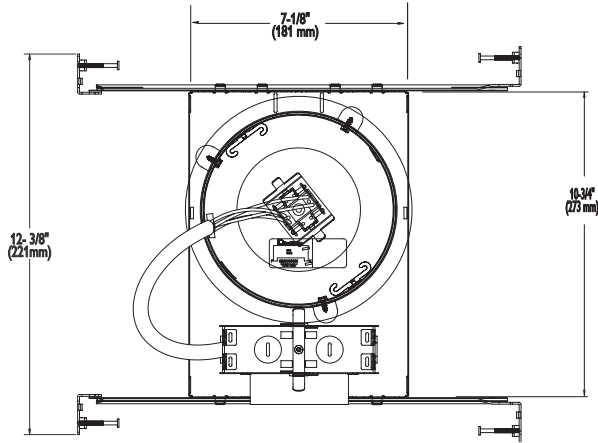
- cuLus Listing - cuLus Listed for damp locations and through branch wiring (4in/4 out). SHR6ICW is listed for wet locations. California Title 24 Compliant.
- AirSeal™ - Luminaire is AirSeal™ rated meeting ASTM E283 limiting passage of air through housing to no more than 2.0 CFM at 75 Pascals. AirSeal™ housing meets restricted airflow requirements of Washington State Energy Code (W.S.E.C.) and International Energy Conservation Code (I.E.C.C.). Luminaire supplied with preinstalled gasket to ensure AirSeal™ installation.



**Green Choice: PR26ASICNBNE1-RBC30WM**



dimensions



trims



**RBC30M** (shown)  
Full Black Baffled Reflector  
**RBC30WM**  
Full White Baffled Reflector  
7-1/16" O.D. (179 mm)  
Socket Supporting

Housing	Lamp
PR26ASICNBNE1	CFM26W/GX24Q CFQ26W/GX24Q



**RB101** (shown)  
Clear Reflector Black Baffle  
**RB101W**  
Clear Reflector White Baffle  
7-1/16" O.D. (179 mm)  
Socket Supporting

Housing	Lamp
PR26ASICNBNE1	CFM26W/GX24Q CFQ26W/GX24Q



**RBA100CLR** (shown)  
Clear Reflector  
**RBA100GLD**  
Gold Reflector  
**RBA100BLK**  
Black Reflector  
**RBA100WHT**  
White Reflector  
7-1/16" O.D. (179 mm)  
Socket Supporting

Housing	Lamp
PR26ASICNBNE1	CFM26W/GX24Q CFQ26W/GX24Q



**SHR61CW**  
Regressed Prismatic  
Shower Light,  
Polycarbonate Flange  
Wet Location Approved  
8" O.D. (203 mm)  
Socket Supporting

Housing	Lamp
PR26ASICNBNE1	CFM26W/GX24Q CFQ26W/GX24Q



©2011 Philips Omega  
All rights reserved.

776 South Green Street • Tupelo, MS 38804  
p. 800.234.1890 • f. 662.841.5501  
www.omegalighting.com  
Canadian Division  
189 Bullock Drive • Markham, Ontario L3P 1W4  
p. 905.294.9570 • f. 905.294.9811

Contact Factory for Additional Configurations.  
Specifications are subject to change without notice.  
Consult website for latest version of this spec sheet.

Some luminaires use fluorescent or high intensity discharge (HID) lamps that contain small amounts of mercury. Such lamps are labeled, "Contain Mercury" and/or the symbol "HG". Lamps that contain mercury must be disposed of in accordance with local requirements. Information regarding lamp recycling and disposal can be found at [www.lamprecycle.org](http://www.lamprecycle.org)

