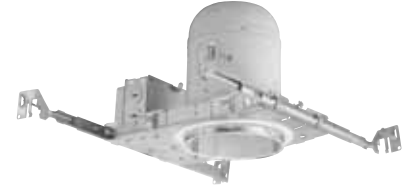


Recessed Compact Fluorescent

CFRIC5V13Q/18/26QNB

5" Design/Build-AirSeal™
IC Rated Vertical Downlight-Socket Supporting



Specifier's Reference

Project
Type
Model No.
Comments

application

- IC /Non-IC rated downlight for long-life, energy efficient compact fluorescent lamps. Provides broad, uniform light distribution with excellent color rendering. Ideal for areas that require long hours of continuous operation.

features

- AirSeal™ housing.
- IC rated for insulated ceiling applications; non-IC for non insulated ceilings.
- Specular reflectors for excellent light output.
- Grooved baffle reduces glare at aperture.
- Die-stamped plaster frame.
- c/ETL listed for damp locations and through branch circuit wiring.

construction

- Ballast: **NE1** 120V electronic normal power factor ballasts operates four pin GX24q compact fluorescent lamps over 45khz. Ballast meets FCC Part 18 on consumer limits on EMI/RFI. Minimum starting temperature of 0 degrees Fahrenheit. Ballast features auto shutdown at end of lamp life. **NE1** electronic normal power factor ballast is designed to operate compact fluorescent lamps to ANSI Standard IEC C-78-901-2005. **DA1** 120V Electronic normal power factor powerline dimming ballast. Continuous dimming down to 15 percent. Minimum starting temp of 50 degrees Fahrenheit. Ballast meets FCC Part 18 on consumer limits to EMI/RFI. Ballast is designed to operate compact fluorescent lamps to ANSI standard IEC C-78-901-2005. Universal voltage (**U**) is 120V through 277V, total harmonic distortion less than 10% (THD<10%) and high power factor (>0.90).

- Bar Hanger: Pre-Installed BH1 bar hangers telescope from 16 to 24 inches. Alignment holes to center fixture are located at 16" and 24" centers. Bar hanger is equipped with heavy-duty fluted nails. Interlocking support tabs provide smooth adjustment on bar hangers.

- Plaster Frame: Precision die-stamped plaster frame of galvanized steel. Mounting frame accommodates ceiling materials from 1/2" to 1-3/8" thick.
- Reflector: Precision spun .05 aluminum with anodized or painted finish.
- Baffle: Precision spun .04 aluminum with deep grooves to reduce aperture glare. Non-reflective matte black or white finish.
- Socket: Snap-in socket pre-installed in top of housing. Easily attaches to trims by depressing mounting clips and snapping into socket yoke on trims.
- Junction Box: Extra large 32 cubic inch .063" galvanized steel with snap on cover and ground wire riveted to frame. Approved for Through Branch Circuit Wiring with up to 4 #12 guage AWG conductors. Knockouts for 1/2" and 3/4" conduit and 4 romex pry-outs with strain relief. Meets all safety requirements of c/ETL and NEC.
- c/ETL Listing: c/ETL Listed for damp locations.
- AirSeal™: Luminaire is airseal rated per ASTM E283 limiting passage of air through housing to no more than 2.0 CFM at 75 Pascals. AirSeal™ housing meets restricted airflow requirements of Washington State Energy Code (W.S.E.C.) and International Energy Conservation Code (I.E.C.C.). Luminaire supplied with pre-installed gasket to ensure Airseal installation.

accessories (ordered separately)

- Emergency Remote Field Installable Kit **ER-FK**



Sample Catalog Number: CFRIC5V13QNE1NB-5B30W

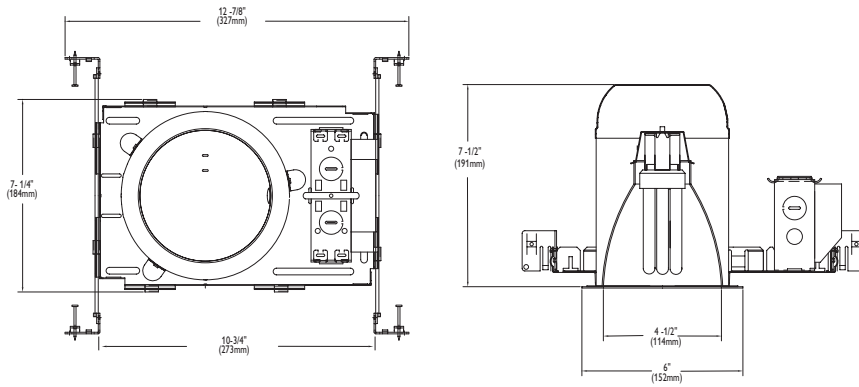
<p>—</p> <p>Housing</p> <p>CFRIC5V13Q – CFM13/GX24Q (electronic)</p> <p>CFRIC5V18Q – CFM18/GX24Q (electronic)</p> <p>CFRIC5V26Q – CFM26/GX24Q (electronic)</p>	<p>—</p> <p>Ballast</p> <p>U – Universal</p> <p>NE1 – 120V Electronic normal power factor ballast</p> <p>DA1 – Electronic normal power factor dimming ballast</p>	<p>NB</p> <p>—</p> <p>Socket</p> <p>NB – No bracket standard</p>	<p>—</p> <p>Trims (choose one)</p> <p>5B30W – White Baffle</p> <p>5B30RCP – Rustic Copper Baffle</p> <p>5B30CBN – Coffee Bean Baffle</p> <p>5B30TBZ – Tuscan Bronze Baffle</p> <p>5B30SPM – Soft Platinum Baffle</p> <p>5B30MCA – Mocha Baffle</p> <p>R136 – Shower Trim, Glass Lens</p> <p>R136RCP – Rustic Copper Shower Trim, Glass Lens</p> <p>R136CBN – Coffee Bean Shower Trim, Glass Lens</p> <p>R136TBZ – Tuscan Bronze Shower Trim, Glass Lens</p> <p>R136SPM – Soft Platinum Shower Trim, Glass Lens</p> <p>R136MCA – Mocha Shower Trim, Glass Lens</p> <p>R240 – Black Baffle</p> <p>R240W – White Baffle</p> <p>5A100C – Clear Multiplier</p>
--	---	---	---

Footnotes:

1. DA1 for 26 Watt lamp version only. 2 wire phase dimming to 15%.

General Notes:

Lamp compatibility is noted under housings. Electronic ballast is available with GX24Q lamp only.



trims



5B30W (shown)
Full White Baffle Reflector
5B30RCP
Rustic Copper Baffle Reflector
5B30CBN
Coffee Bean Baffle Reflector
5B30TBZ
Tuscan Bronze Baffle Reflector

Socket Supporting
6" O.D. (152 mm)

Housing	Lamp
CFRIC5V13QNB	CFM13W/GX24Q
CFRIC5V18QNB	CFM18W/GX24Q
CFRIC5V26QNB	CFM26W/GX24Q



R240 (shown)
Black Baffle Trim
R240W
White Baffle Trim
Socket Supporting
6" O.D. (152 mm)

Housing	Lamp
CFRIC5V13QNB	CFM13W/GX24Q
CFRIC5V18QNB	CFM18W/GX24Q
CFRIC5V26QNB	CFM26W/GX24Q



R136 (shown)
Drop Round Shower Trim White
Wet Location Listed
R136RCP
Drop Round Shower Trim Rustic Copper
R136CBN
Drop Round Shower Trim Coffee Bean

Socket Supporting
6" O.D. (152 mm)

Housing	Lamp
CFRIC5V13QNB	CFM13W/GX24Q
CFRIC5V18QNB	CFM18W/GX24Q
CFRIC5V26QNB	CFM26W/GX24Q

R136TBZ
Drop Round Shower Trim Tuscan Bronze
R136SPM
Drop Round Shower Trim Soft Platinum
R136MCA
Drop Round Shower Trim Mocha



5A100C Clear Reflector
Socket Supporting
6" O.D. (152 mm)

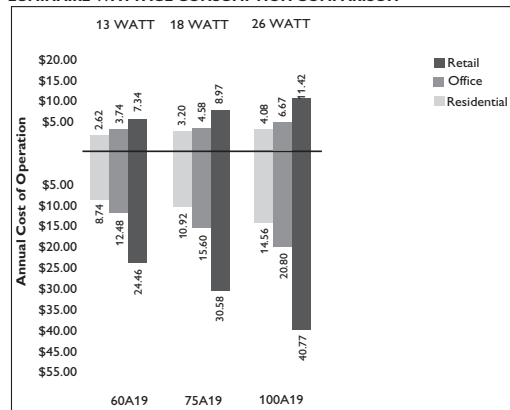
Housing	Lamp
CFRIC5V13QNB	CFM13W/GX24Q
CFRIC5V18QNB	CFM18W/GX24Q
CFRIC5V26QNB	CFM26W/GX24Q

energy data

Operating Characteristics

Catalog Number	Lamp	Line Amps	Input Watts	Power Factor	Min. Start Temp.
CFRIC5V13QNE1NB	CFM13W/GX24Q	0.26	15	>50%	0°F
CFRIC5V13QUNB-120V	CFM13W/GX24Q	0.15	16	98%	0°F
CFRIC5V13QUNB-277V	CFM13W/GX24Q	0.07	18	98%	0°F
CFRIC5V18QNE1NB	CFM18W/GX24Q	0.34	22	>50%	0°F
CFRIC5V18QUNB-120V	CFM18W/GX24Q	0.19	22	98%	0°F
CFRIC5V18QUNB-277V	CFM18W/GX24Q	0.08	22	98%	0°F
CFRIC5V26QNE1NB	CFM26W/GX24Q	0.40	28	>50%	0°F
CFRIC5V26QUNB-120V	CFM26W/GX24Q	0.32	28	98%	0°F
CFRIC5V26QU NB-277V	CFM26W/GX24Q	0.014	28	98%	0°F
CFRIC5V26QDA1NB	CFM26W/GX24Q	0.45	28	>50%	50°F

LUMINAIRE WATTAGE CONSUMPTION COMPARISON



©2012 Philips Omega
All rights reserved.

776 South Green Street • Tupelo, MS 38804
p. 800.234.1890 • f. 662.841.5501
www.omegalighting.com
Canadian Division
189 Bullock Drive • Markham, Ontario L3P 1W4
p. 905.294.9570 • f. 905.294.9811

Contact Factory for Additional Configurations.
Specifications are subject to change without notice.



Some luminaires use fluorescent or high intensity discharge (HID) lamps that contain small amounts of mercury. Such lamps are labeled, "Contain Mercury" and/or the symbol "HG". Lamps that contain mercury must be disposed of in accordance with local requirements. Information regarding lamp recycling and disposal can be found at www.lamprecycle.org