

QL6NB

6" QuickLights® 180 Recessed Incandescent Housing
New Construction - IC & Non-IC/AirSeal™

Catalog Number: _____

Type: _____

Project: _____



Description

For new construction. Thermally protected labor saving recessed housing. Engineered polymer plaster frame includes pre-positioned nails for fast installation. Fixture can be used for direct contact of ceiling insulation and is AirSeal™ rated. For higher wattage non IC applications, ceiling insulation must be a minimum of three inches from recessed fixture. Housing ships without socket bracket and accepts socket supporting trims only.

Features

- IC - 90W Maximum and Non IC - 150W Maximum
- Housing adjusts vertically in plaster frame to allow for variations in ceiling thickness.
- Labor saving engineered polymer plaster frame includes nails for fast installation.
- Wide variety of trims.
- Thermal protection standard.
- cUL Listed for Through-Branch Circuit Wiring and Damp Locations.
- Patent pending movable junction box snaps onto either right or left of downlight frame to provide maximum installation flexibility.



CATALOG SYSTEM AND OPTIONS

SAMPLE CATALOG NUMBER: QL6NB-RB30W

| Housing | Trims (choose one) | | | | | |
|---|--------------------|-----------------------------------|---------|---|----------|--|
| QL6NB | RB30 | Black Baffle | RF30W | White | RB45 | Scoop Wall Wash, Black Baffle |
| QL6NBQP | RB30W | Full White Baffle | RF40C | Chrome Open Trim | RB45W | Scoop Wall Wash, White Baffle |
| (with quick plug connectors) | RB40W | Full White Baffle | RF40SB | Satin Brass Open Trim | RAD40 | Deep Cone White |
| QL6NBQPG | RB40 | Black Baffle | RF40W | White | RAD40BLK | Deep Cone Black |
| (with quick plug connectors and gasket) | RC30G | Gold Cone | RS30W | White Splay | RCS30 | Shallow Cone Clear |
| | RC30C | Clear Cone | RS30BRN | Brushed Nickel Splay | RCS30W | Shallow Cone White |
| | RC30BK | Black Cone | R18P | White Eyeball | RBS30 | Shallow Baffle Black |
| | RC30W | White Cone | R18PB | Polished Brass Eyeball | RBS30W | Shallow Baffle White |
| | RA100W | White Multiplier | R18BRN | Brushed Nickel Eyeball | RBD40 | Deep Baffle Black |
| | RA100G | Gold Multiplier | RM38W | White Stepped Baffle, Regressed Eyeball | RBD40W | Deep Baffle White |
| | RA100C | Clear Multiplier | RM38 | Black Stepped Baffle, Regressed Eyeball | SHR12IC | Regressed Glass Shower Light |
| | RBC30 | Black with Leaf Springs | RM48 | Black Stepped Baffle, Regressed Eyeball | SHR16IC | Regressed Glass Drop Opal Shower Light |
| | RBC30W | Full White with Leaf Springs | RM48W | White Stepped Baffle, Regressed Eyeball | SH12IC | Albalite Shower Light |
| | RAC30W | Full White Cone with Leaf Springs | R38P | Baffled Eyeball | SH36 | Drop Round Shower Light |
| | RAC30 | Black Cone with Leaf Springs | R38PB | Polished Brass Eyeball | R6SHR | Regressed Open Shower Light |
| | RF30SB | Satin Brass Open Trim | | | | |
| | RF30C | Chrome | | | | |

Custom colors are available on select trims. See www.caprilighting.com for brochure and additional information.

SPECIFICATIONS

1. **Housing** - Constructed of .032 aluminum. Adjusts vertically in plaster frame to accommodate ceilings 1/2" to 1-1/2" thick. Housing can be pulled through plaster frame for access to junction box. Accommodates lamps up to 150 watts, depending on trim used and application to direct contact of ceiling insulation. Ceiling opening of 6-5/16". Dome constructed of heavy-duty steel.

2. **Plaster Frame** - High impact, high temperature, lightweight injection-molded plaster frame. Self-leveling frame ensures accurate positioning. Two preinstalled double-headed nails fasten plaster frame to joist. Double-headed 16 penny nails permit easy repositioning if required. May be used with 27" flat BH3 bar hangers or BH1 pre-nailed adjustable bar hangers.

3. **Socket** - Medium base screw shell porcelain socket, mounted with snap-in clips to top of trim.

4. **Bar Hangers** - Standard housing includes 27" flat BH3 bar hangers. Also accommodates BH1 pre-nailed, adjustable bar hangers.

5. **Junction Box** - Moveable non-conductive junction box with four pry-out knockouts for non-metallic sheathed cable (Romex) and two 1/2" conduit pry-outs. Captive door hinges upward and stays open to permit fast electrical connections. Romex connectors not required. Staple Romex to joist within 8 inches of junction box. Meets all safety requirements of U.L. and the N.E.C.

6. **IC & Non-IC** - Housing is UL Listed for direct contact with thermal insulation. For Non-IC applications higher wattages maybe used. Insulation must be kept three inches away from housing in non-IC applications.

7. **Thermal Protection** - Standard thermal protection device inside housing automatically takes fixture out of service if temperature becomes excessive from contact with insulation, overlamping, or wrong lamp/trim combination.

8. **cUL Listed** for Damp Locations and Through Branch Wiring, 4 in/4 out.

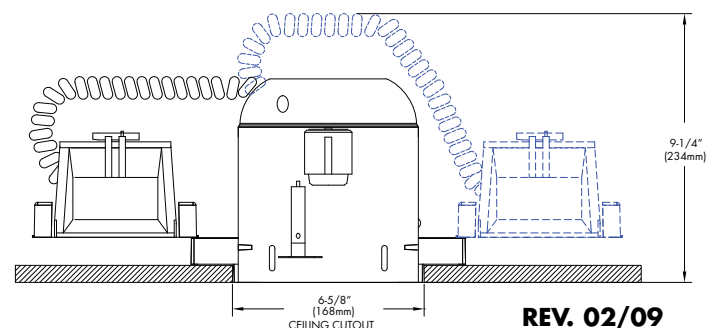
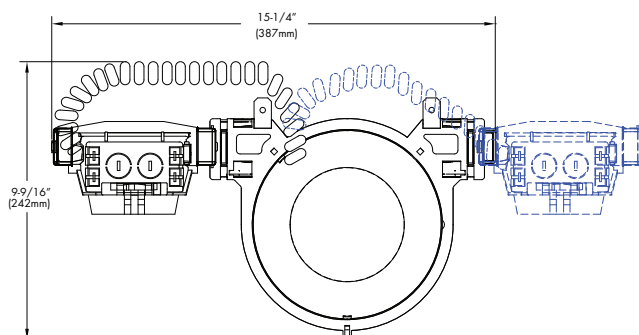
9. **AirSeal™** - Fixture is AirSeal™ rated according to ASTM E283 to no more than 2.0 cubic feet of air per minute at 75 pascals. Fixture meets Washington State Energy Code and Energy Conservation Code.

Accessories (Order separately)

Upsize Trim Ring **OV2**
(For use with full reflector IC type trims.)

Pair of 27" Flat Bar Hangers **BH3**
Pair of Pre-NAILED Adjustable Bar Hangers **BH1**

DIMENSIONS



REV. 02/09

capri
LIGHTING

RC1-18.1

CAPRI LIGHTING 776 South Green St., Tupelo, MS 38804 Phone 662.842.7212 FAX 662.841.5501 www.caprilighting.com

Capri Lighting is a Philips group brand

PHILIPS

6" TRIMS



RB30 (shown)
Full Black Baffle
RB30W Full White Baffle
RB30BRN
Brushed Nickel Baffle
7-1/16" O.D. (179 mm)

| Lamp | IC | Non-IC |
|--------|-----|--------|
| QL6NB | | |
| PAR30L | 75W | — |
| PAR30 | 50W | 75W |
| R/BR30 | 75W | 75W |
| PAR38 | 90W | 150W |



RB40W (Shown)
Full White Baffle
RB40
Black Baffle
Socket Supporting
7-1/16" O.D. (179 mm)

| Lamp | IC | Non-IC |
|--------|-----|--------|
| QL6NB | | |
| PAR30L | 75W | — |
| PAR30 | 50W | 75W |
| BR30 | 75W | 75W |
| BR40 | 90W | 150W |
| PAR38 | 90W | 150W |



RC30G (Shown)
Gold Cone
RC30C
Clear Cone
RC30BK
Black Cone
RC30W
White Cone
Socket Supporting
7-1/16" O.D. (179 mm)

| Lamp | IC | Non-IC |
|--------|-----|--------|
| QL6NB | | |
| PAR30L | 75W | — |
| PAR30 | 50W | 75W |
| R/BR30 | 75W | 75W |
| PAR38 | 90W | 150W |



R18P
White Eyeball (shown)
R18PB
Polished Brass
R18BRN
Brushed Nickel
Socket Supporting
30° Tilt
8" O.D. (203 mm)

| Lamp | IC | Non-IC |
|--------|-----|--------|
| QL6NB | | |
| R/BR30 | 75W | 100W |



RBC30 (Shown)
Black Baffle w/ Leaf Springs
RBC30W
Full White Baffle w/ Leaf Springs
Socket Supporting
7-1/16" O.D. (179 mm)

| Lamp | Non-IC ONLY |
|--------|-------------|
| QL6NB | |
| PAR30 | 75W |
| R/BR30 | 75W |
| PAR38 | 150W |



RAC30W (Shown)
Full White Cone w/ Leaf Springs
RAC30
Black Cone w/ Leaf Springs
Socket Supporting
7-1/16" O.D. (179 mm)

| Lamp | Non-IC ONLY |
|--------|-------------|
| QL6NB | |
| PAR30 | 75W |
| R/BR30 | 75W |
| PAR38 | 150W |



RF30SB (Shown)
Satin Brass Open Trim
with Socket Bracket
RF30C
Chrome
RF30W
White
Socket Supporting
8" O.D. (203 mm)

| Lamp | IC | Non-IC |
|-------|-----|--------|
| QL6NB | | |
| PAR30 | 50W | 75W |



RF40C (Shown)
Chrome Open Trim
with Socket Bracket
RF40SB
Satin Brass
RF40W
White
Socket Supporting
8" O.D. (203 mm)

| Lamp | Non-IC ONLY |
|--------|-------------|
| QL6NB | |
| R/BR40 | 60W |
| PAR38 | 60W |



RS30W
White Splay
RS30BRN
Brushed Nickel Splay
Socket Supporting
7-1/16" O.D. (179 mm)

| Lamp | IC | Non-IC |
|--------|-----|--------|
| QL6NB | | |
| PAR30 | 75W | 75W |
| R/BR30 | 75W | 75W |



SH12IC
Albalite Shower Light
Wet location approved
Socket Supporting
8" O.D. (203 mm)

| Lamp | IC | Non-IC |
|-------|-----|--------|
| QL6NB | | |
| A19 | 25W | 40W |



R6SHR (Shown)
Recessed Open Shower Light
Wet Location Approved
Socket Supporting
7-1/16" O.D. (179 mm)

| Lamp | IC | Non-IC |
|-------|-----|--------|
| QL6NB | | |
| PAR38 | 75W | 90W |



SHR12IC
Regressed Glass Shower Light
Wet Location Approved
Socket Supporting
8" O.D. (203 mm)

| Lamp | IC | Non-IC |
|-------|-----|--------|
| QL6NB | | |
| A19 | 25W | 60W |

Trims shown here are the most popular choices. For a complete trim offering see sheet numbers RC1-23A & RC1-23B or go to the Capri Trim Gallery at www.caprilighting.com

This product may be covered by one or more of the following U.S. Patents: #4,408,262, #4,703,406, #4,723,747, #4,910,651, #5,057,979. Other U.S. or Foreign Patents may apply.

Capri Lighting reserves the right to make changes without notice. ©2009

RC1-18.1

CAPRI LIGHTING:
776 South Green St., Tupelo, MS 38804
Phone 662.842.7212 FAX 662.841.5501
www.caprilighting.com

CANADIAN DIVISION:
189 Bullock Drive, Markham, Ontario, Canada L3P 1W4
Phone 905.294.9570 FAX 800.268.0003

capri
LIGHTING