

CRR1* & CRR1QP

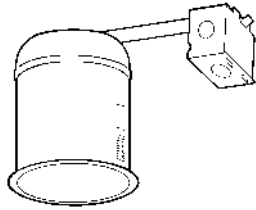
6" Recessed Incandescent Housing

Remodel Construction - IC & Non-IC/AirSeal™

Catalog Number: _____

Type: _____

Project: _____



Description

For remodel construction. Thermally protected recessed housing. Fixture suitable for direct contact of thermal insulation and is AirSeal™ rated. For higher wattage lamps, ceiling insulation must be a minimum of three inches from recessed fixture. For fast installation in existing plaster or mechanical ceilings from 1/2" to 1-1/4" thick. Remodel clips are easily retractable for fixture removal, if necessary.

Features

- Housing adjusts vertically to accommodate existing plaster or mechanical ceilings from 1/2" to 1-1/4" thick.
- For higher wattage Non IC applications, insulation must be kept three inches away from housing.
- IC - 90W Maximum, Non-IC - 150W Maximum
- Wide variety of trims.
- Fixture is provided with stepless adjustable socket mounting plate which can be removed for AirSeal™ type trims.
- Thermal protection standard
- U.L. Listed for Through-Branch Circuit Wiring and Damp Locations.
- Fixture may be passed through 6-3/8" opening.



CATALOG SYSTEM AND OPTIONS

SAMPLE CATALOG NUMBER: CRR1-RB45W

Housing	Trims (choose one)				
CRR1	RB30 Black Baffle	RF30C Chrome Open Trim		w/Oversize trim ring	R30P White Open Trim
CRR1QP	RB30W Full White Baffle	RF30W White Open Trim	RM30W-OV White Stepped Baffle		R30PB Polished Brass Open Trim
	RB30BRN Full Brush Nickel Baffle	RF40C Chrome Open Trim		w/Oversize trim ring	R30BRN Brushed Nickel Open Trim
	RB40 Black Baffle	RF40SB Satin Brass Open Trim	RM40 Black Stepped Baffle		R40P White Open Trim
	RB40W Full White Baffle	RF40W White Open Trim	RM40W White Stepped Baffle		R40C Anodized Satin Chrome Open Trim
	RC30G Gold Cone	RS30W White Splay	RM40-OV Black Stepped Baffle		HS30CLR Clear Reflector
	RC30C Clear Cone	RS30BRN Brush Nickel Splay		w/Oversize trim ring	HS30GLD Gold Reflector
	RC30BK Black Cone	R18P White Eyeball	RM40W-OV White Stepped Baffle		HS30BLK Black Reflector
	RC30W White Cone	R18PB Polished Brass Eyeball		w/Oversize trim ring	HS40CLR Clear Reflector
	RA100W White Multiplier	R18BRN Brushed Nickel Eyeball	RMS30CLR Clear Reflector		HS40GLD Gold Reflector
	RA100G Gold Multiplier	R18BRN Regressed White Eyeball	RMS30GLD Gold Reflector		HS40BLK Black Reflector
	RA100C Clear Multiplier	RM38 Regressed White Eyeball	RMS30BLK Black Reflector		R13P White Fresnel
	RCS30 Shallow Cone Clear	w/ Black Baffle	RMS30WHT White Reflector		R14P White Regressed Fresnel
	RCS30W Shallow Cone White	RM48W Regressed White Eyeball	RMS40CLR Clear Reflector		SHR12IC Regressed Glass Shower Light
	RBS30 Shallow Baffle Black	w/ White Baffle	RMS40GLD Gold Reflector		SHR12ICP Albalite Shower Light
	RBS30W Shallow Baffle White	RM48 Regressed White Eyeball	RMS40BLK Black Reflector		SHR16ICP Regressed Drop Opal Shower Light
	R6SHR Open Lamp Shower Light	w/ Black Baffle	RMS40WHT White Reflector		SH16ICP Drop Opal Shower Light
	RBD40 Deep Stepped Baffle Black	R38P Baffled Eyeball	RMA99 Self Lipped White Reflector		SH36 Drop Round Shower Light
	RBD40W Deep Stepped Baffle White	RB45 Scoop Wall Wash, Black Baffle	RMA100CLR A-Lamp Clear Specular Reflector		RAD40W Deep Cone White
	RBC30 Black Baffle w/Leaf Springs	RB45W Scoop Wall Wash, White Baffle	RMA100GLD A-Lamp Gold Specular Reflector		RAD40BLK Deep Cone Black
	RBC30W Full White Baffle w/Leaf Springs	RM45 Wall Wash, Black Stepped Baffle	RMA100BLK A-Lamp Black Specular Reflector		
	RAC30 Black Cone w/Leaf Springs	RM45W Wall Wash, White Stepped Baffle	RMA101 Clear Black Baffled Reflector		
	RAC30W Full White Cone w/Leaf Springs	R25 Wall Wash White	RMA101W White Black Baffled Reflector		
	RF30SB Satin Brass Open Trim	RM30 Black Stepped Baffle	R19P White Trim with Black Stepped Baffle		
		RM30W White Stepped Baffle			
		RM30-OV Black Stepped Baffle	R30B Satin Brass Open Trim		
			R30C Satin Chrome Lens		

Custom colors are available on select trims. Please see the Decorative Trims link at www.caprilighting.com to download brochure and for further details.

SPECIFICATIONS

- Housing** - Constructed of .032 aluminum. Accommodates ceilings from 1/2" to 1-1/4" thick. For remodel application. Accommodates lamps up to 90 watts for IC applications and lamps up to 150 watts for Non-IC applications where thermal insulation is kept a minimum of three inches from housing. Dome constructed of heavy-duty steel.
- Installation** - For installation from below finished ceiling.
- Socket** - Medium base screw shell porcelain socket, mounted with snap-in clips to adjustable socket plate. Stepless adjustable socket holder, retained by single wingnut, adjusts vertically to accommodate a wide variety of lamp and trim options.

4. **Junction Box** - Large 17 cubic inch 20 gauge steel with snap on covers and grounding pigtailed. Knockouts for 1/2" conduit. Meets all safety requirements for UL and the N.E.C.

5. **Thermal Protection** - Standard thermal protection device inside housing automatically takes fixture out of service if temperature becomes excessive from overlamp-ing, or wrong lamp/trim combination.

6. **IC & Non-IC** - Housing is UL Listed for direct contact with thermal insulation. For Non-IC applications higher wattages may be used. Insulation must be kept three inches away from housing in Non-IC applications.

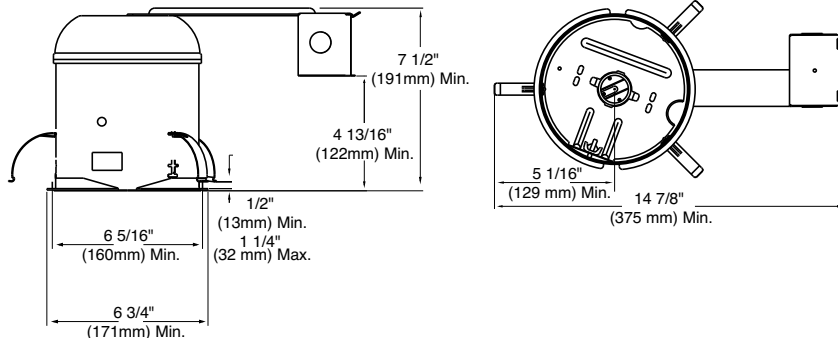
7. **c/UL Listed** for damp locations and through branch wiring, 4 in/4 out.

8. **AirSeal™**: Fixture is AirSeal™ rated preventing the passage of no more than two cubic feet of air per minute through housing. AirSeal rated to ASTM E283.

Accessories (Order separately)

- Oversize Trim Ring **OV1** (for half reflector, bracket required NON IC type trims)
- Oversize Trim Ring **OV2** (for full reflector, socket supporting IC type trims)
- Options**
- Quick Plug..... **QP**

DIMENSIONS



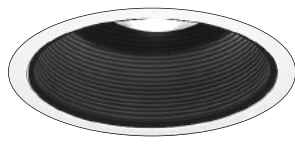
REV. 01/08

6" TRIMS



R18P
White Eyeball (shown)
R18PB Polished Brass
R18BRN Brushed Nickel Eyeball
Socket Supporting
30 Tilt
8" O.D. (203 mm)

Housing	Lamp	IC	Non-IC
CR1	PAR30LN	75W	75W
CRR1	PAR30	75W	75W
QL1	R/BR30	75W	100W
PR1			
R150ASIC	PAR30LN	75W	
	R/BR30	75W	
PR75ASIC	PAR30LN	75W	
QL75ASIC	PAR30	75W	



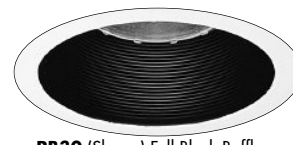
RM30 (Shown)
Black Stepped Baffle
RM30W White Stepped Baffle
RM30-OV w/oversize trim ring
RM30W-OV w/oversize trim ring
Bracket Required
7-3/8" O.D. (187 mm)

Housing	Lamp	IC	Non-IC
CR1/PR1	PAR30	50W	75W
CRR1	R/BR30	75W	100W
QL1			
R150ASIC	R/BR30	75W	
	PAR30	75W	
PR75ASIC	PAR30	50W	
QL75ASIC	R/BR30	75W	



RC30G (Shown) Gold Cone
RC30C Clear Cone
RC30BK Black Cone
RC30W White Cone
Socket Supporting
7-1/16" O.D. (179 mm)

Housing	Lamp	IC	Non-IC
CR1	PAR30LN	75W	
CRR1	PAR30	50W	75W
QL1	R/BR30	75W	75W
PR1	PAR38	90W	150W
R150ASIC	PAR30LN	75W	
	PAR30	75W	
	R/BR30	75W	
	PAR38	90W(RC30BK)	
		120W(OTHERS)	
PR75ASIC	PAR30LN	75W	
QL75ASIC	PAR30	75W	
	R/BR30	75W	
	R/BR40	90W	
	PAR38	90W	



RB30 (Shown) Full Black Baffle
RB30W Full White Baffle
RB30BRN Full Brush Nickel Baffle
Socket Supporting
7-1/16" O.D. (179 mm)

Housing	Lamp	IC	Non-IC
CR1	PAR30LN	75W	
CRR1	PAR30	50W	75W
QL1	R/BR30	75W	75W
PR1	PAR38	90W	150W
R150ASIC	PAR30LN	75W	
	PAR30	75W	
	R/BR30	75W(RB30)	
	PAR38	90(RB30)	
	PAR38	90(RB30)	
		120W(RB30W)	
PR75ASIC	PAR30LN	75W	
QL75ASIC	PAR30	50W	75W
	R/BR30	75W	75W
	PAR38	90W	150W



RMS30CLR (Shown)
Clear Reflector
RMS30GLD Gold Reflector
RMS30BLK Black Reflector
RMS30WHT White Reflector
Bracket Required
7-3/8" O.D. (187 mm)

Housing	Lamp	IC	Non-IC
CR1	PAR30	50W	75W
CRR1	R/BR30	75W	100W
QL1			
PR1			
R150ASIC	R/BR30	75W	
	PAR30	75W	
PR75ASIC	PAR30	50W	
QL75ASIC	R/BR30	75W	



R30B (Shown)
Anodized Satin Brass Open Trim
R30C Anodized Satin Chrome
R30P White
R30PB Polished Brass
R30BRN Brushed Nickel
Bracket Required
8" O.D. (203 mm)

Housing	Lamp	IC	Non-IC
CR1	R/BR30	65W	75W
CRR1	PAR30LN	75W	75W
QL1			
PR1			
R150ASIC	R/BR30	75W	
	PAR30	75W	
PR75ASIC	R/BR30	65W	
QL75ASIC			



R40C (Shown)
Anodized Satin Chrome
R40P White Open Trim
Bracket Required
8" O.D. (203 mm)

Housing	Lamp	Non-IC Only
CR1	R/BR40	150W
CRR1	PAR38	150W
QL1		
PR1		
R150ASIC	R/BR40	100W
	PAR38	60W



RA100W (Shown) White Multiplier
RA100G Gold Multiplier
RA100C Clear Multiplier
Socket Supporting
7-1/16" O.D. (179 mm)

Housing	Lamp	IC	Non-IC
CR1	PAR30LN	75W	
CRR1	PAR30	50W	75W
Q1	R/BR30	75W	75W
PR1	R/BR40	90W	150W
QL1	PAR38	90W	150W
	A19	75W	
	A21	N/A	150W
R150ASIC	PAR30LN	75W	
	PAR30	75W	
	R/BR30	75W	
	PAR38	120W	
	R/BR40	150W(clear/gold)	
		90W (OTHERS)	



RB40W (Shown) Full White Baffle
RB40 Full Black Baffle
Socket Supporting
7-1/16" O.D. (179 mm)

Housing	Lamp	IC	Non-IC
CR1	PAR30LN	75W	
CRR1	PAR30	75W	
QL1	R/BR30	75W	75W
PR1	R/BR40	100W	75W
	PAR38	120W	150W
R150ASIC	PAR30LN	75W	
	PAR30	75W	
	R/BR30	75W	
	R/BR40	90W	
	PAR38	120W	



SHR16ICP
Regressed Glass Drop Opal Shower Light
Wet Location Approved
Socket Supporting
8" O.D. (203 mm)

Housing	Lamp	IC	Non-IC
CR1/PR1	A19	25W	75W
CRR1			
QL1			
R150ASIC	A19	60W	
PR75ASIC	A19	25W	
QL75ASIC			



SH12ICP
Albalite Shower Light
Wet location approved

Socket Supporting 8" O.D. (203 mm)			
Housing	Lamp	IC	Non-IC
PR1	A19	25W	
CR1			
CRR1			
QL1			
R150ASIC	A19	60W	



SH16ICP
Drop Opal Shower Light Wet location approved
Socket Supporting
8" O.D. (203 mm)

Housing	Lamp	IC	Non-IC
CR1/PR1	A19	40W	75W
CRR1			
QL1			
R150ASIC	A19	60W	
PR75ASIC	A19	25W	
QL75ASIC			

Trims shown here are the most popular choices. For a complete trim offering see sheet numbers RC1-23A & RC1-23B or go to the Capri Trim Gallery at www.caprilighting.com

* Canadian product offering specifications and wattages may vary from those shown.

This product may be covered by one or more of the following U.S. Patents: #4,408,262, #4,703,406, #4,723,747, #4,910,651, #5,057,979. Other U.S. or Foreign Patents may apply.

Capri Lighting reserves the right to make changes without notice. ©2008

Custom colors are available on select trims. Please see the Decorative Trims link at www.caprilighting.com to download brochure and for further details.