

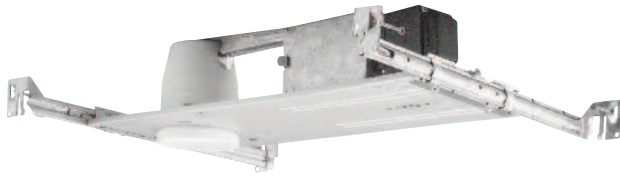
3ALV/3ALV-277

3" Micro 120 or 277V Recessed Low Voltage Downlight

Catalog Number: _____

Type: _____

Project: _____



Description

Thermally protected small aperture low voltage recessed housing for use with up to 50 watt MR16 lamp in new constructions. Fixture is furnished with BH1 bar hangers. c/ETL Listed for through branch wiring and damp location.

Features

- Magnetic transformer ensures properly controlled voltage to lamp maximizing lamp life.
- Non-IC Applications.
- Thermal protection standard.
- Provided with BH1 bar hangers.
- MR16 50 watt maximum.
- c/ETL listed for damp locations and through branch circuit wiring.

CATALOG SYSTEM AND OPTIONS

SAMPLE CATALOG NUMBER: 3ALV-3A65WH

Housing	Trims (choose only one)	3A70SB	3A50BK	3A30BRZ
3ALV 120V standard	3A65WH	w/White Flange	Black Slot	Bronze Eyeball
	3A65BK	Bronze w/Bronze Flange	Satin Brass Slot	Brushed Nickel
3ALV-277 277V	3A65BRZSL	Brushed Nickel w/Brushed Nickel Flange	Copper Slot	
	3A65BKSL	Copper w/Copper Flange	Bronze Slot	
	3A70CLR	White Gimbal	Brushed Nickel Slot	
	3A70GLD	Black Gimbal	Black Baffle w/Black Flange	
	3A70BK	Copper Gimbal	Black Baffle w/White Flange	
	3A70BKSL	Dark Bronze Gimbal	White Baffle w/White Flange	
		Brushed Nickel Gimbal	Brushed Nickel w/Brushed Nickel Flange	
		Satin Brass Gimbal	Bronze w/Bronze Flange	
	White Slot	White Eyeball		
		Black Eyeball		
		Copper Eyeball		

General Notes:

See Trims on reverse side of the sheet for lamp compatibility.

SPECIFICATIONS

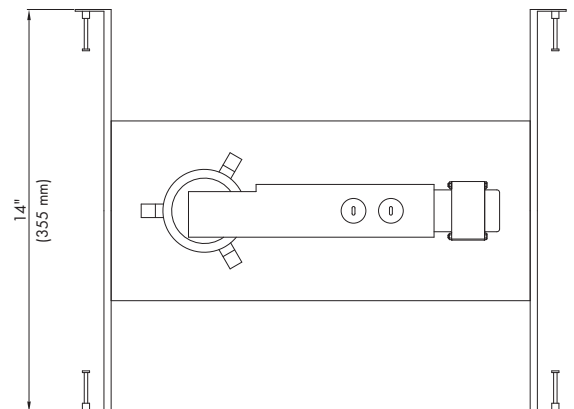
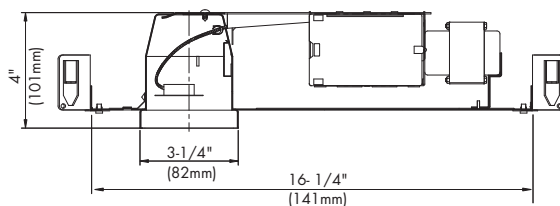
- Housing** - Deep drawn, 20 gauge, single piece housing. Adjusts vertically in frame to accommodate ceiling thickness from 1/2" to 1" thick. Ceiling opening 3". Accommodates lamp up to 50 watts MR16 12 volt lamps. Fits 2 X 6 joist construction.
- Plaster Frame** - Die-stamped 20 gauge galvanized steel.
- Socket** - porcelain body GU5-3 Base. Pre-wired with 18 gauge teflon 250 degree leads to junction box.
- Transformer** - Class H magnetic transformer attached to end of junction box. Transformer can be easily removed below ceiling.
- Bar Hangers** - Pre-installed BH1 bar hangers telescope from 16 to 24 inches. Alignment holes provided to center fixture on 14, 16, 24 inch centers. Bar hangers are equipped with heavy duty fluted rails. Interlocking support tabs provide smooth adjustment of bar hanger.
- Junction Box** - Large 18 gauge galvanized steel with one snap-on cover and grounding pig-

tail. Knock-outs for 1/2" and 3/4" conduit. Integral cable clamp permits attachment of non-metallic Romex without the need of additional connectors. Meets all safety requirements of ETL and N.E.C.

7. **Thermal Protection** - Standard thermal protection device inside housing automatically takes the fixture out of service if temperature becomes excessive from overlampping or using the wrong lamp /trim combination.

8. **c/ETL Listed** - Certified for a maximum of 6 No.14 ga. 90 degree C through branch wiring conductors. Meets all safety requirements of U.L. and N.E.C.

DIMENSIONS



REV. 09/10

3" MICRO TRIMS - NEW CONSTRUCTION



3A65WH (Shown)
White Baffle w/White Flange

3A65BK
Black Baffle w/ White Flange

3A65BRZSL
Bronze Baffle w/Bronze Flange

3A65BKSL
Black Baffle w/Black Flange

3-5/8" O.D. (92 mm)
50WMR16



3A70CLR (Shown)
Clear Reflector w/White Flange

3A70GLD
Gold Reflector w/White Flange

3A70BK
Black Reflector w/White Flange

3A70BKSL
Black Reflector w/Black Flange

3A70SB
Satin Bronze Reflector w/White Flange

3A70BRZSL
Bronze Reflector w/Bronze Flange

3A70CPRSL
Copper Reflector w/Copper Flange

3A70BRNSL
Brushed Nickel Reflector w/Brushed Nickel Flange

3-5/8" O.D. (92 mm)
50WMR16



3A45WH (Shown)
White Gimbal

3A45BK
Black Gimbal

3A45CPR
Copper Gimbal

3A45BRZ
Bronze Gimbal

3A45BRN
Brushed Nickel Gimbal

3-5/8" O.D. (92 mm)
50WMR16



3A50SB (Shown)
Satin Brass Slot

3A50WH
White Slot

3A50BK
Black Slot

3A50CPR
Copper Slot

3A50BRZ
Bronze Slot

3A50BRN
Brushed Nickel Slot

3-5/8" O.D. (92 mm)
50WMR16



3A20BKSL (Shown)
Wall Wash Black Baffle w/Black Flange

3A20BK
Wall Wash Black Baffle w/White Flange

3A20WH
Wall Wash White Baffle w/White Flange

3A20BRNSL
Wall Wash Brushed Nickel w/Brushed Nickel Flange

3A20BRZSL
Wall Wash Bronze w/Bronze Flange

3-5/8" O.D. (92 mm)
50WMR16



3A30CPR (Shown)
Copper Eyeball

3A30WH
White Eyeball

3A30BK
Black Eyeball

3A30BRZ
Bronze Eyeball

3A30BRN
Brushed Nickel Eyeball

4" O.D. (101 mm)
50WMR16

2" Color Filters for MR16

CF0	Solite Lens
CF1	Clear Lens
CF2	Spread Lens
CF3	Medium Blue Filter
CF4	Medium Red Filter
CF5	Medium Green Filter
CF7	Yellow Filter
CF8	Pink Filter
CF9	Linear Spread
CF10	UV Filter
CF11	Frosted Lens
CF12	Medium Amber Filter

Philips Capri reserves the right to make changes without notice.©2010