

Home Command Center

Part # 70-0010

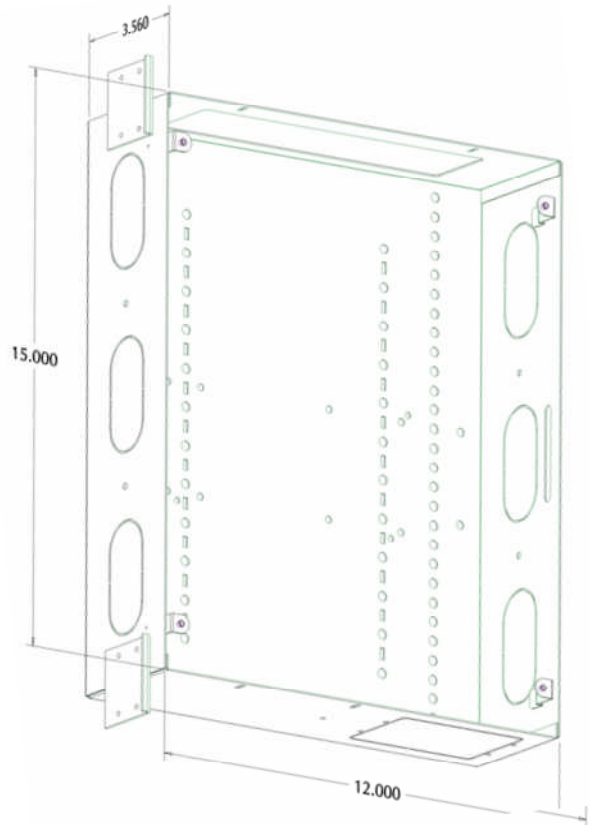
12" x 15" Enclosure
with hinged door - lock and key
included

Mounting holes for phone and video
modules made by DataComm and other
major manufacturers.

New mounting holes for the security
Industry's best-selling security boards

Includes – 70-0020
Phone and Coax Module

(70-0020 Module not shown)



ETL listed And conforms
To UL Standard 1863
ANSI/UL 60905-1

DataComm Electronics, Inc.
6349 Peachtree Street
Norcross, Georgia 30071-1725
770-662-8205
www.datacommelectronics.com

