

# Recessed Low Voltage Media Plate

with Duplex Receptacle 45-0031-WH

with Duplex Surge Suppressor 45-0041-WH



DataComm Electronics, Inc.

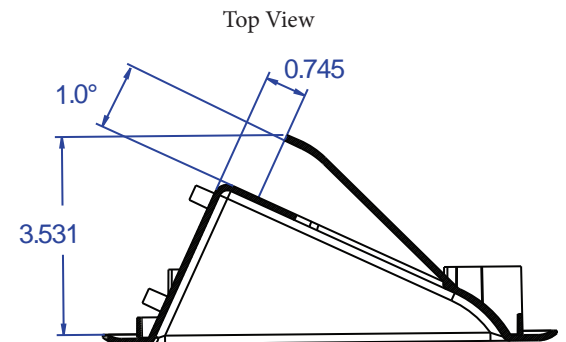
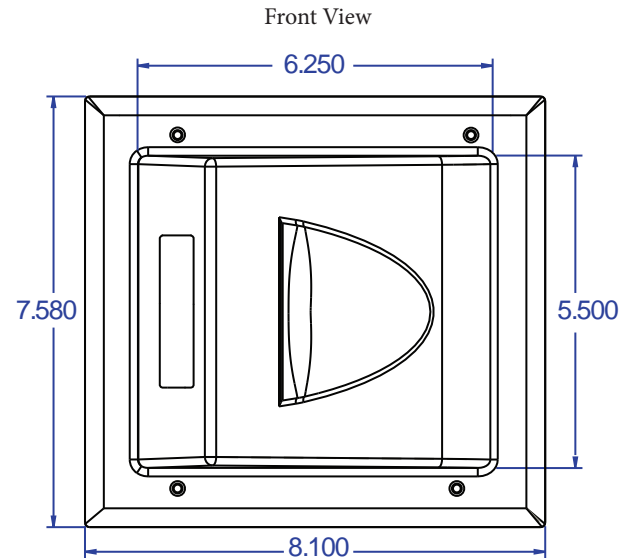
888.223.7977 / 770.662.8205 / www.DataCommElectronics.com

## SPECIFICATIONS: 45-0031-WH

- ▶ Duplex Receptacle
- ▶ Plastic: ABS, UL
- ▶ 15 Amp/125 Volt tamper resistant, duplex receptacle\*
- ▶ Old work box included
- ▶ Mounting wings are molded into the media plate and fasten tightly against the back of the drywall

## SPECIFICATIONS: 45-0041-WH

- ▶ Surge Receptacle
- ▶ Plastic: ABS, UL
- ▶ Outlet box included
- ▶ Mounting wings are molded into the media plate and fasten tightly against the back of the drywall
- ▶ 15 Amp/125 Volt duplex surge receptacle with replaceable Surge Bloc<sup>®</sup>:
  - Maximum surge current - 12,000 amps
  - Peak suppression voltage - 1,000 volts
  - Hot/Neutral, Hot/Ground, Neutral/Ground
  - Total maximum surge dissipation - 340 joules

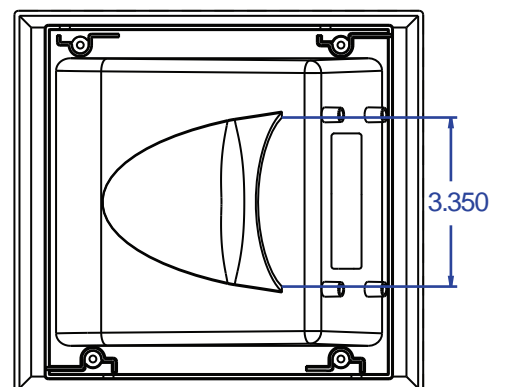


### Replaceable Surge Bloc<sup>®</sup>

**Part Number:** 45-0041-SB

**Description:** Surge Bloc<sup>®</sup>  
replacement for 45-0041-WH

Back View



RoHS Compliant. \*UL Listed Component.

This product is patent protected by U.S. Patent numbers:  
D553475, D554475, and 7390964.