

Cable Plate with Flexible Opening

1-Gang 45-0014-**

2-Gang 45-0015-**



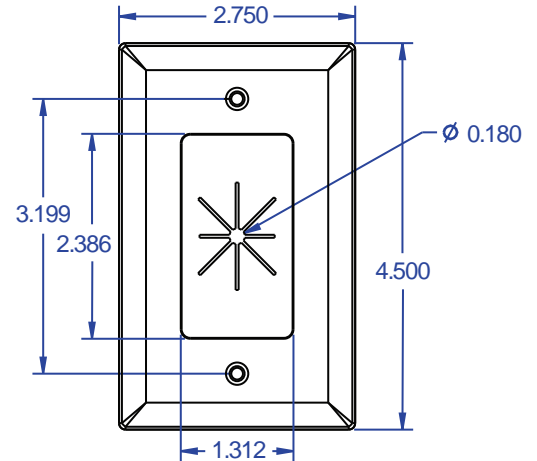
DataComm Electronics, Inc.

888.223.7977 / 770.662.8205 / www.datacommelectronics.com

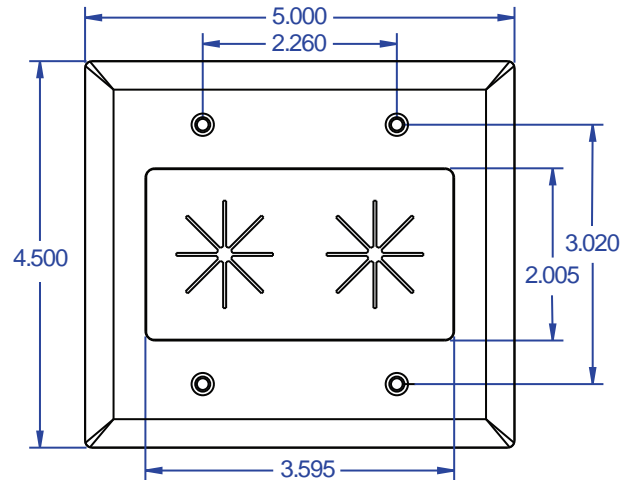
SPECIFICATIONS: 45-0014

- ▶ One-gang cable plate
- ▶ Holds up to 6 cables
- ▶ Plastic: ABS, UL
- ▶ ETL Listed
- ▶ Available colors: black, ivory, lite almond, white
- ▶ Mounting wings are molded into the cable plate and fasten tightly against the back of the drywall
- ▶ Mounting wings are designed for use in walls up to 1" in thickness
- ▶ No low voltage mounting plate or old work ring required
- ▶ Center portion of cable plate is made of flexible plastic that allows multiple cables to pass through the plate

Front View: 45-0014



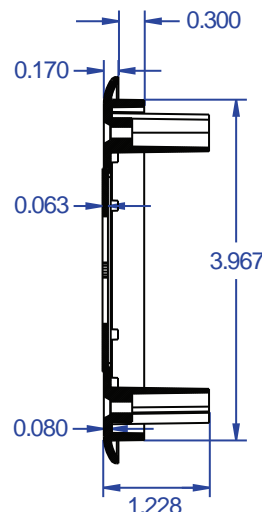
Front View: 45-0015



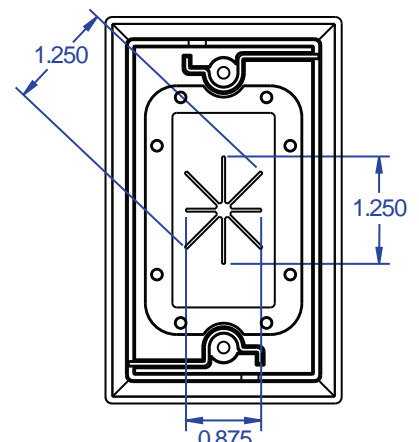
SPECIFICATIONS: 45-0015

- ▶ Two-gang cable plate
- ▶ Holds up to 12 cables
- ▶ Plastic: ABS, UL
- ▶ ETL Listed
- ▶ Available colors: black, ivory, lite almond, white
- ▶ Mounting wings are molded into the cable plate and fasten tightly against the back of the drywall
- ▶ Mounting wings are designed for use in walls up to 1" in thickness
- ▶ No low voltage mounting plate or old work ring required
- ▶ Center portion of cable plate is made of flexible plastic that allows multiple cables to pass through the plate

Side View



Back View



RoHS Compliant

This product is patent protected by U.S. Patent number: 7495171.