

Recessed Low Voltage Cable Plate with Recessed Power 45-0021



DataComm Electronics, Inc.
888.223.7977 / 770.662.8205 / www.datacommelectronics.com

DataComm Electronics' patented Recessed Low Voltage Cable Plate with Recessed Power is used to install low voltage cables and power behind your flat panel TV, your amplifier or other audio video devices. The wall plate can be installed upright or upside down.

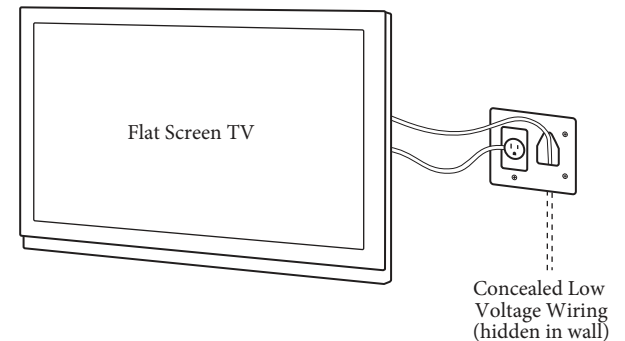
FEATURES

- Low profile design fits behind the industry's thinnest mounts and TV's
- Conceal multiple AV cables behind your flat panel TV
- Grounded recessed receptacle* allows you to install power
- Mounting wings are molded into the plate and fasten tightly against the back of the drywall; the wings are designed for use in walls up to 1" thick

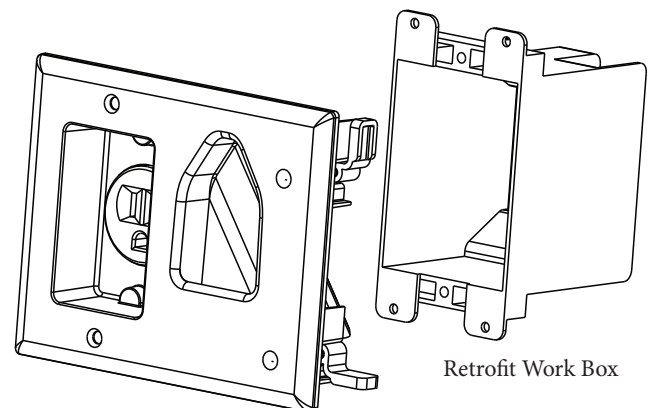
Front View



Back View



Use with either a single gang retrofit work box or a new nail on box for new construction. Work box, nail on box sold separately.



Retrofit Work Box

| Part # | Description | Min. Order | Master Ctn. |
|------------|---|------------|-------------|
| 45-0021-WH | Recessed Cable Plate with Recessed Power, White | 1/20 | |
| 45-0021-GY | Recessed Cable Plate with Recessed Power, Gray | 1/30 | |



RoHS Compliant. *UR, UL Recognized Component. This product is patent protected by U.S. Patent numbers: 7390964, D553475, and D554475.