

CONFIG. 1

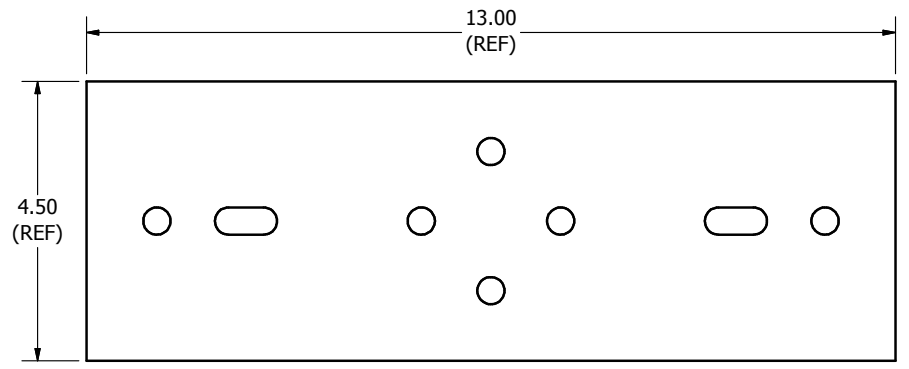
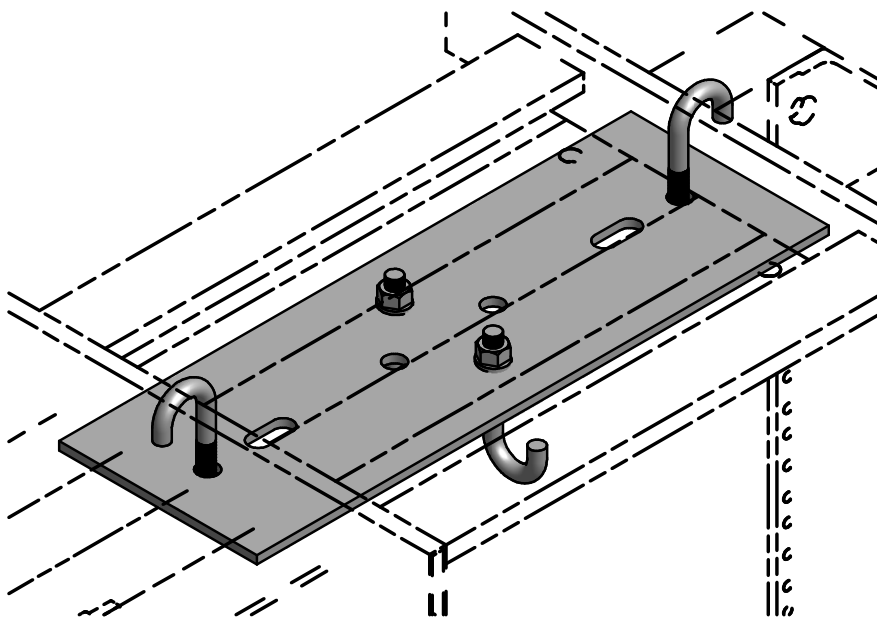
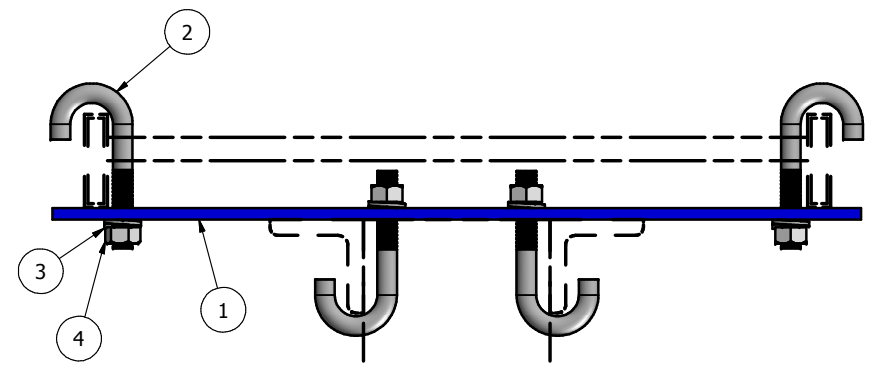


PLATE  
(FRONT VIEW)



CONFIG. 2



ASSEMBLY VIEW  
(CONFIG. 1 SHOWN)

PARTS LIST		
ITEM	QTY	DESCRIPTION
1	1	PLATE, RACK-LAD MTG, 4.5x13 RAW
2	4	J BOLT, 5/16-18 x 2.25" ZINC
3	4	WASHER, SPLIT LOCK, 5/16 ZINC
4	4	NUT, HEX, 5/16-18 ZINC



ALL INFORMATION ARE PROPRIETARY DATA OF DAMAC PRODUCTS INC. ANY REPRODUCTION/USE IN ANY FORM MUST HAVE PRIOR WRITING AGREEMENT W/ DAMAC.  
TOLERANCE .XXX± .010 .XXX± .030 .XX± .060 °(DEG)± .5  
ALL DIM. ARE IN INCHES UNLESS OTHERWISE SPECIFIED

TITLE: PREMISES LADDER  
LADDER TO RACK SUPPORT

PART NO. PLB12RS-3  
DRAWN BY: TC  
DATE: 02.02.2011  
SHEET: 1 OF 1

CHECKED BY: CR  
SCALE: N/A  
REV: --  
MATERIAL: SEE CHART  
FINISH: RAW  
MAX BEND R=.030, RELIEF=.060 A/R.  
UNLESS OTHERWISE SPECIFIED