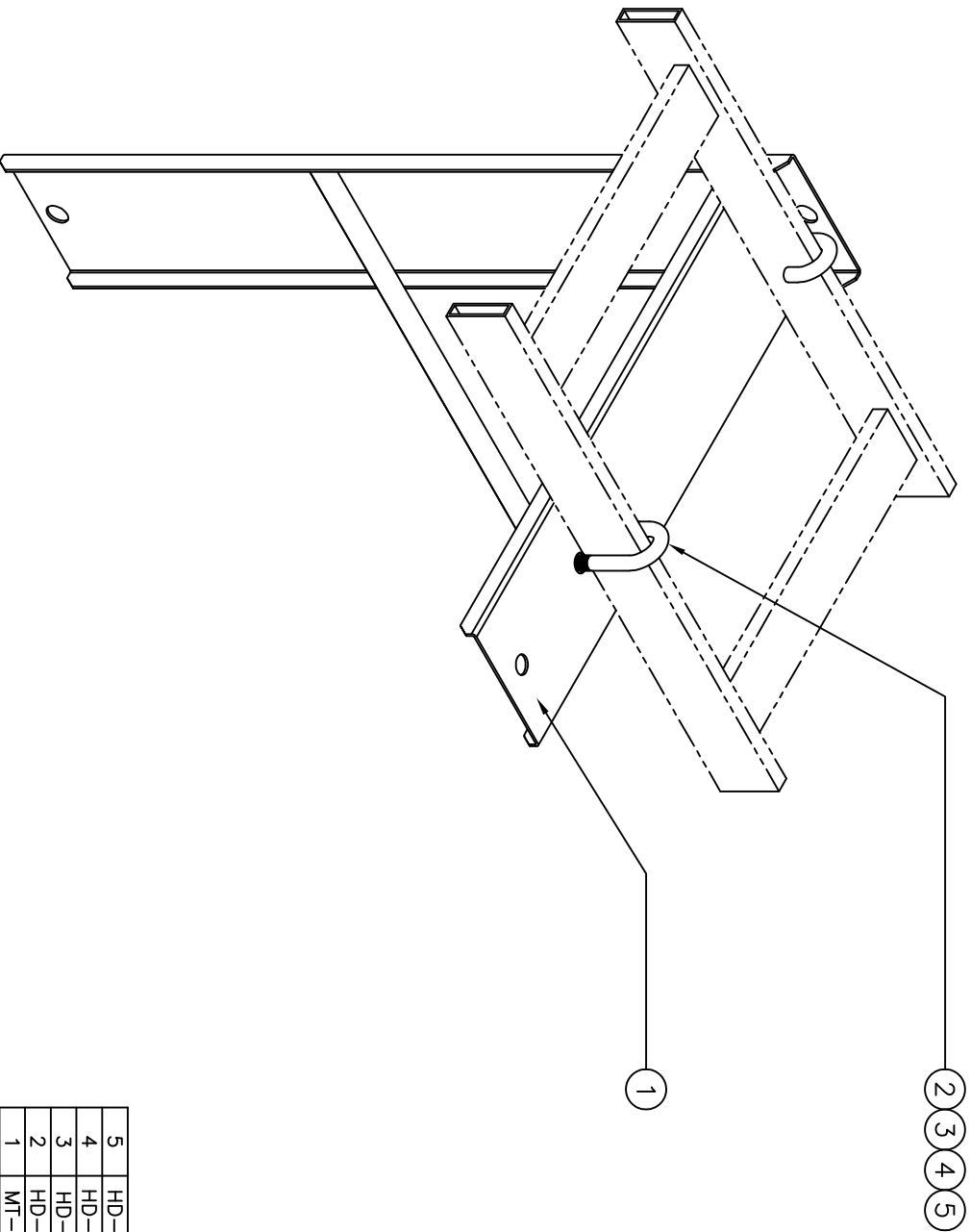


REVISIONS			DESCRIPTION
REV	ECD	DATE	RELEASED TO PRODUCTION
--	--	--	



ITEM	PART NO	DESCRIPTION	QTY
5	HD-49009	WASHER, FLAT, 5/16"	2
4	HD-49013	WASHER, SPLIT LOCK, 5/16"	2
3	HD-36001	NUT, HEX, 5/16"-18	2
2	HD-26003	J-BOLT, 5/16"-18 x 3"	2
1	MT-59919	ASSY., TRI-SUPPORT, 9"-12" RACK	1

**DAMAC** PRODUCTS INC. LA BUREAU, CA 90008

PREMISES, LADDER STANDARDS, WALL TRIANGULAR SPT

9-12" W. STANDARD DUTY

PLBWT12-3

DATE: 03/18/2008

SCALE: N/A

MATERIAL: N/A

FINISH: POWDER-COATED BLACK

MAX BEND R=0.001

RELIEF=0.060 A/R.

UNLESS OTHERWISE SPECIFIED

FOR INFORMATION, THE PROPORTION, SIZE OF DIMENSIONS AND TOLERANCES MUST HAVE FROM WRITING ASSEMBLY W/ DAMAC.

TOLERANCE: XX.XX, 0.10 XX.XX, 0.20 XX.XX, 0.50 XX.XX, 1.00 XX.XX, 1.50 XX.XX, 2.00 XX.XX, 3.00 XX.XX, 4.00 XX.XX, 5.00 XX.XX, 6.00 XX.XX, 7.00 XX.XX, 8.00 XX.XX, 9.00 XX.XX, 10.00 XX.XX, 11.00 XX.XX, 12.00 XX.XX, 13.00 XX.XX, 14.00 XX.XX, 15.00 XX.XX, 16.00 XX.XX, 17.00 XX.XX, 18.00 XX.XX, 19.00 XX.XX, 20.00 XX.XX, 21.00 XX.XX, 22.00 XX.XX, 23.00 XX.XX, 24.00 XX.XX, 25.00 XX.XX, 26.00 XX.XX, 27.00 XX.XX, 28.00 XX.XX, 29.00 XX.XX, 30.00 XX.XX, 31.00 XX.XX, 32.00 XX.XX, 33.00 XX.XX, 34.00 XX.XX, 35.00 XX.XX, 36.00 XX.XX, 37.00 XX.XX, 38.00 XX.XX, 39.00 XX.XX, 40.00 XX.XX, 41.00 XX.XX, 42.00 XX.XX, 43.00 XX.XX, 44.00 XX.XX, 45.00 XX.XX, 46.00 XX.XX, 47.00 XX.XX, 48.00 XX.XX, 49.00 XX.XX, 50.00 XX.XX, 51.00 XX.XX, 52.00 XX.XX, 53.00 XX.XX, 54.00 XX.XX, 55.00 XX.XX, 56.00 XX.XX, 57.00 XX.XX, 58.00 XX.XX, 59.00 XX.XX, 60.00 XX.XX, 61.00 XX.XX, 62.00 XX.XX, 63.00 XX.XX, 64.00 XX.XX, 65.00 XX.XX, 66.00 XX.XX, 67.00 XX.XX, 68.00 XX.XX, 69.00 XX.XX, 70.00 XX.XX, 71.00 XX.XX, 72.00 XX.XX, 73.00 XX.XX, 74.00 XX.XX, 75.00 XX.XX, 76.00 XX.XX, 77.00 XX.XX, 78.00 XX.XX, 79.00 XX.XX, 80.00 XX.XX, 81.00 XX.XX, 82.00 XX.XX, 83.00 XX.XX, 84.00 XX.XX, 85.00 XX.XX, 86.00 XX.XX, 87.00 XX.XX, 88.00 XX.XX, 89.00 XX.XX, 90.00 XX.XX, 91.00 XX.XX, 92.00 XX.XX, 93.00 XX.XX, 94.00 XX.XX, 95.00 XX.XX, 96.00 XX.XX, 97.00 XX.XX, 98.00 XX.XX, 99.00 XX.XX, 100.00 XX.XX