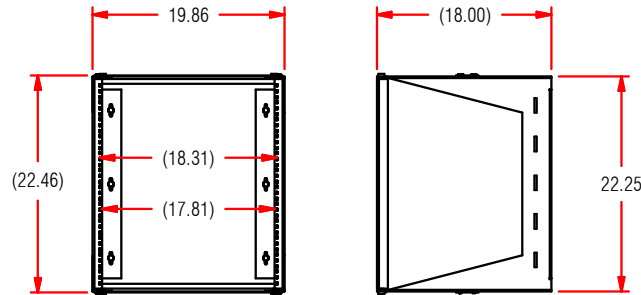
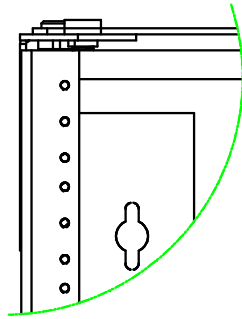


WALL MOUNT SERIES: 22.25 x 19.86 x 18.00
 PART NO.: WR24S-3

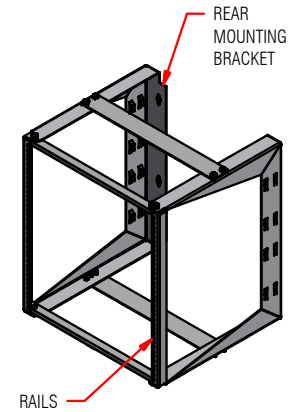
REVISIONS			
REV	ECO	DATE	DESCRIPTION
---	---	---	---

MOUNTING RAIL: 12U
 10-32 TAPPED RAILS, 12U
 (1) PAIR, 19" EIA-310-D COMPLIANT
 20PC 10-32 HARDWARE INLCUDED
 MAX. EQ. DEPTH: 18.00"

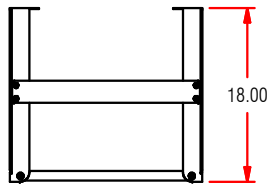


FRONT VIEW

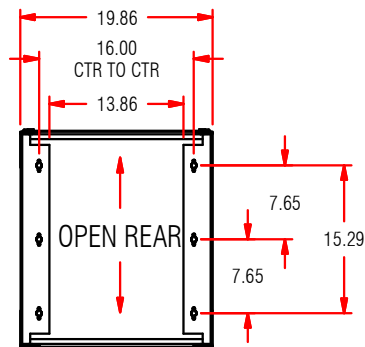
SIDE VIEW



TOP VIEW
 OPEN



REAR VIEW
 OPEN SUB-PANEL
 MOUNTING DIMENSION:
 15.29 x 16.00
 7.65 x 16.00



DIMENSIONS

LIGHT WEIGHT BOX
 HEIGHT: 22.25"
 WIDTH: 19.86"
 DEPTH: 18.00"

WT. CAPACITY

100 LBS. STATIC CAP.

MOUNTING RAIL

12 U, L-RACK ANGLES
 10-32 TAPPED HOLES
 EIA SPACING, 5/8 x 5/8 x 1/2
 19.00" RACKABLE

REAR SUB-PANEL

N/A

FRONT DOOR

N/A

COLOR

BLACK TEXTURED
 EPOXY POWDER-COAT

ACCESSORIES

N/A

CLASSIFICATION

UL LISTED
 19" EIA-310-D COMPLIANT



ALL INFORMATION ARE PROPRIETARY DATA OF DAMAC PRODUCTS INC. ANY REPRODUCTION/USE IN ANY FORM MUST HAVE PRIOR WRITING AGREEMENT W/ DAMAC. INC. TOLERANCE: .XXX2 .010 .XXX8 .030 .XX2 .060 (DECIMAL) ALL DIM. ARE IN INCHES UNLESS OTHERWISE SPECIFIED.

TITLE: WALL MOUNT, SWING OUT
 22.25 x 19.86 x 18.00
 19" RACKABLE, 10-32

PART NO. WR24S-3
 DRAWN BY: TC
 DATE: 12.29.2010

CHECKED BY: CR
 SCALE: N/A
 SHEET: 1 OF 1
 REV: --

MATERIAL: N/A
 FINISH: EPOXY POWDER-COAT
 MAX BEND R=.030, RELIEF=.060 A/R.
 UNLESS OTHERWISE SPECIFIED