

# ZR High Efficiency Series

ZR22™ 2' x 2' LED Troffer High Efficiency Series with Matte Finish

## Product Description

The ZR High Efficiency Series is a commercial spec-grade LED troffer delivering superior energy efficiency of up to 130 lumens per watt for maximum energy savings. But stellar lumen-per-watt performance is just the beginning: the ZR High Efficiency Series also provides a matte finished housing for less glare and better light distribution, standard 0 to 10V dimming to 5% and 80+ CRI — all in a package with a price as attractive as it looks.

## Performance Summary

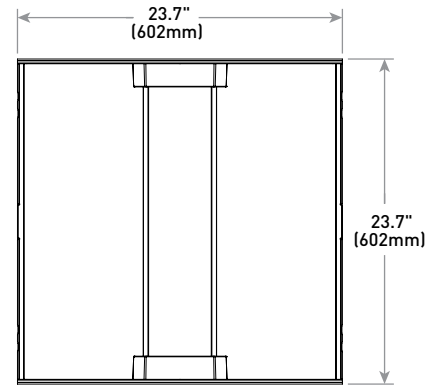
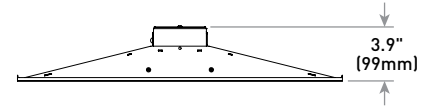
<b>Efficacy:</b> 130 LPW
<b>Initial Delivered Lumens:</b> 3,250 lumens
<b>Input Power:</b> 25 watts
<b>CRI:</b> 80+ CRI
<b>CCT:</b> 3500K, 4000K
<b>Input Voltage:</b> 120-277 VAC
<b>Limited Warranty*:</b> 10 years
<b>Controls:</b> 0-10V dimming to 5%
<b>Mounting:</b> Recessed*

\* See <http://lighting.cree.com/warranty> for warranty terms

\* Acceptable for use with standard 9/16 T-Bar or larger when installed per installation instructions. Consult factory for non-standard grid applications

## Accessories

Field-Installed	
<b>Drywall Grid Adapter</b> <a href="#">DGA22-WHT</a> <b>Surface Mount Kit</b> <a href="#">SMK-ZR22</a> - Not for use with EB14 <b>6' Flexible Power Whip</b> <a href="#">PW-18/4-06-9T-SS</a>	<b>Wireless 0-10V Dimming/Switching Interface with Cree Smartcast® Technology</b> <a href="#">CIF-10V</a> - For use with luminaires with 10V controls when integral SmartCast isn't available <b>Cree SmartCast® Technology Configuration Tool</b> <a href="#">CCT-CWC-1</a> - One required per project when CIF-10V is selected



## Ordering Information

Example: ZR22M-32L-35K-10V-FD

ZR22M	32L			10V	FD	
Product	Initial Delivered Lumens	CCT	Voltage	Control	CRI	Options
ZR22M	32L 25W, 3,250 lumens - 130 LPW	35K 3500K 40K 4000K	Blank 120-277 volt	10V 0-10V dimming to 5%	FD 80+ CRI	<a href="#">EB14 Emergency Backup</a> - 1,400 lumens - Available on US versions only - Provides 90 minutes of emergency operation



Rev. Date: V2 08/29/2016



# ZR22™ 2' x 2' LED Troffer High Efficiency Series with Matte Finish

## Product Specifications

### CONSTRUCTION & MATERIALS

- Durable 22 ga. cold rolled steel housing provides strength and uniformity
- Ultra-thin 3.9" [99mm] luminaire height and lightweight design effectively target a broad range of plenum spaces and allow for easy installations
- Luminaire is pre-painted for enhanced smooth matte finish
- Includes t-bar clips and holes for mounting support wires (by others)
- Luminaire sides and ends are hemmed in for safe, easy handling
- Includes lens gasket to prevent ingress of insects
- Not for installation within 3" (76mm) of insulation

### OPTICAL SYSTEM

- Unique luminaire design creates perfect balance of both horizontal and vertical illumination
- Optimized smooth acrylic lens eliminates pixelation and delivers a low-glare, diffused light distribution

### ELECTRICAL SYSTEM

- Cree born components including highly efficacious Cree® LED chips along with an integral high-efficiency Cree® driver
- **Power Factor:** = 0.9 nominal
- **Input Power:** Stays constant over life
- **Input Voltage:** 120-277V, 50/60Hz
- **Operating Temperature Range:** 0°C - + 35°C (32°F - + 95°F)
- **Total Harmonic Distortion:** <20%
- **10V Source Current:** 0.25mA

### CONTROLS

- Continuous dimming to 5% with 0-10V DC control protocol
- For use with Class 2 dimming systems only. Reference [www.creelink.com/exLink.asp?70982140Z58R34I26620963](http://www.creelink.com/exLink.asp?70982140Z58R34I26620963) for recommended dimming controls and wiring diagrams

### REGULATORY & VOLUNTARY QUALIFICATIONS

- cULus Listed
- Suitable for damp locations
- Designed for indoor use
- UL924 (EB option)
- RoHS compliant. Consult factory for additional details
- Meets FCC Part 15, Subpart B, Class A standards for conducted and radiated emissions
- DLC Premium qualified. Please refer to [www.designlights.org/OPL](http://www.designlights.org/OPL) for most current information

Electrical Data*					
Initial Delivered Lumens	System Watts 120-277V	Total Current			
		120V	208V	240V	277V
32L	25	0.21	0.13	0.11	0.10
32L w/EB14 Option	28	0.23	0.15	0.13	0.11

\* Electrical data at 25°C (77°F). Actual wattage may differ by +/- 10% when operating between 120-277V +/- 10%

Recommended ZR Series Lumen Maintenance Factors (LMF) <sup>1</sup>					
Ambient	Initial LMF	25K hr Projected <sup>2</sup> LMF	50K hr Calculated <sup>3</sup> LMF	75K hr Calculated <sup>3</sup> LMF	100K hr Calculated <sup>3</sup> LMF
0°C (32°F)	1.04	1.04	1.03	1.03	1.03
5°C (41°F)	1.03	1.03	1.02	1.02	1.02
10°C (50°F)	1.02	1.02	1.01	1.01	1.01
15°C (59°F)	1.02	1.02	1.01	1.01	1.01
20°C (68°F)	1.01	1.01	1.00	1.00	1.00
25°C (77°F)	1.00	1.00	0.99	0.99	0.99
30°C (86°F)	0.99	0.99	0.98	0.98	0.98
35°C (95°F)	0.98	0.98	0.97	0.97	0.97

<sup>1</sup> Lumen maintenance values at 25°C are calculated per TM-21 based on LM-80 data and in-situ luminaire testing  
<sup>2</sup> In accordance with IESNA TM-21-11, Projected Values represent interpolated value based on time durations that are within six times (6X) the IESNA LM-80-08 total test duration (in hours) for the device under testing ([DUT] i.e. the packaged LED chip)

<sup>3</sup> In accordance with IESNA TM-21-11, Calculated Values represent time durations that exceed six times (6X) the IESNA LM-80-08 total test duration (in hours) for the device under testing ([DUT] i.e. the packaged LED chip)

## Application Reference

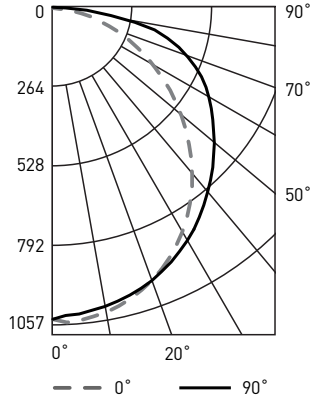
Open Space					
Spacing	Lumens	Wattage	LPW	w/ft <sup>2</sup>	Average fc
8 x 8	3,250	25	130	0.38	45
8 x 10				0.31	37
10 x 10				0.25	39
10 x 12				0.20	23

10' ceiling: 80/50/20 reflectances; 2.5' workplane, open room. LLF: 1.0 Initial Open Space: 50' x 40' x 10'

**Photometry**

**ZR22M-32L-35K-10V-FD BASED ON CREE REPORT TEST #: PL08596-001A**

Luminaire photometry has been conducted by a NVLAP accredited testing laboratory in accordance with IESNA LM-79-08. IESNA LM-79-08 specifies the entire luminaire as the source resulting in a luminaire efficiency of 100%.



Coefficients Of Utilization – Zonal Cavity Method				
RC %:	80			
RW %:	70	50	30	10
RCR: 0	119	119	119	119
1	108	102	98	93
2	97	88	81	75
3	88	77	68	61
4	81	68	59	52
5	74	60	51	44
6	68	54	45	38
7	63	49	40	34
8	59	45	36	30
9	55	41	33	27
10	51	38	30	24

Effective Floor Cavity Reflectance: 20%

Zonal Lumen Summary			
Zone	Lumens	% Lamp	Luminaire
0-30	814	N/A	25.0%
0-40	1,334	N/A	41.0%
0-60	2,395	N/A	73.6%
0-90	3,252	N/A	100%
0-180	3,252	N/A	100%

Average Luminance Table (cd/m <sup>2</sup> )				
Vertical Angle	Horizontal Angle			
		0°	45°	90°
	45°	12,118	13,316	14,229
55°	11,076	13,391	15,142	
65°	9,849	14,168	17,291	
75°	8,295	15,955	20,511	
85°	6,333	16,310	17,494	

Reference [lighting.cree.com/products/indoor/troffers/zr-series](http://lighting.cree.com/products/indoor/troffers/zr-series) for detailed photometric data