

PAR38

LED Lamps

Product Description

At Cree®, we believe in better lighting. Better light is beautiful light. But it's more than just beautiful. It is light that makes you feel more productive, more relaxed and safer. Better light changes everything. That's why the new and improved Cree LED bulbs feature high color rendering that enhances your space and makes the colors of your décor appear vibrant, richer and more natural – true colors the way they are meant to be experienced.

The ENERGY STAR certified Cree PAR38 LED bulb is ideal for use indoors in a track or recessed can, or outdoors in security or landscaping lighting. Delivering 1,500 lumens of 3000K bright white, halogen-like light while using just 17 watts, the Cree PAR38 LED bulb is available in two beam angles, a 25° spot for precise focused light and a 45° flood for a wider pool of light. It is fully dimmable and designed to last 25,000 hours.

Performance Summary

Beam Spreads: 25° Spot, 45° Flood

Lamp Delivered Light Output: 1,500 lumens

Input Power: 17 watts (120W equivalent)

CRI: 85

CCT: 3000K

Limited Warranty*: 5 years Commercial use

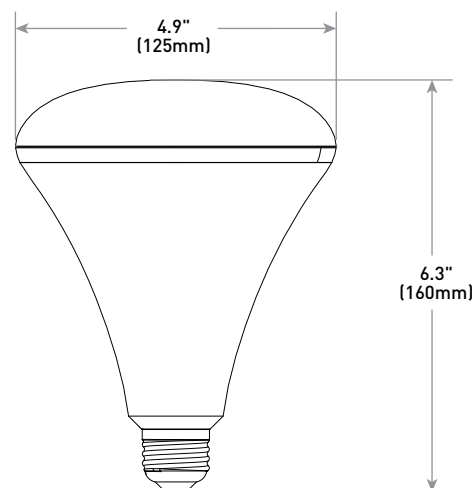
Lifetime: Designed to last at least 25,000 hours

Dimming: Dimmable to 5% with select dimmers

ENERGY STAR® Certified

Must order in multiples of master carton (MC) quantities; MC=3

* See <http://lighting.cree.com/warranty> for warranty terms



Ordering Information

Example: PAR38-120W-30K-25D-B1

PAR38	120W	30K					B1
Product	Watt Equivalent	CCT	Beam Spread	Voltage	Base	CRI	Packaging Options
PAR38	120W 120 Watt, 1500 lumens	30K 3000K	25D 25° Spot 45D 45° Flood	Blank 120 Volt	Blank E26 (screw base)	Blank 85 CRI	B1 (1) Single Blister Pack (MC = 3)



Rev. Date: V3 09/14/2016



PAR38 LED Lamps

Product Specifications

CONSTRUCTION & MATERIALS

- PAR38 design weighing 0.51 lbs.
- E26 Medium standard screw type base
- Bulb meets ANSI standards for PAR38 dimensions
- Mercury free

OPTICAL SYSTEM

- Proprietary Cree LED technology delivers consistent and optimal light distribution
- Plastic lens offers increased optical spread

ELECTRICAL SYSTEM

- **Power Factor:** > 0.9 nominal
- **Input Voltage:** 120V, 60Hz
- **Dimming:** Dimmable to 5% with select dimmers. Refer to <https://www.creelink.com/viewcontent.asp?qv=1&docid=5344> for additional details
- **Operating Temperature Range:** -35°C - +45°C (-31°F - +113°F)

REGULATORY & VOLUNTARY QUALIFICATIONS

- cULus Listed
- Suitable for wet locations where exposed directly to weather
- Suitable for use in enclosed light fixtures. Lifetime may be reduced if used in air tight enclosures or in insulated ceiling air tight (ICAT) recessed downlight enclosures
- Meets FCC Part 15, Subpart B, Class B standards for conducted and radiated emissions
- ENERGY STAR® Certified:
Please refer to www.energystar.gov/productfinder/product/certified-light-bulbs/results for most current information
PAR38-120W-30K-25D-B1: SPAR38-1503025TD-12DE26-1
PAR38-120W-30K-45D-B1: SPAR38-1503045TD-12DE26-1
- RoHS compliant. Consult factory for additional details

Packaging

(3) Blister Pack bulbs in master carton (MC=3)



Ordering Number	Product Number	UPC	Description	Bulb Type	Watts	CCT	Lamps per Master Carton	Master Cartons Per Pallet Qty*	CRI	Lumens	Rated Life (Hrs)
PAR38-120W-30K-25D-B1	SPAR38-1503025TD-12DE26-1-1100350	849665012283	120W Bright White PAR Equivalent, Spot Light	PAR38	17	3000K	3	70	85	1,500	25,000
PAR38-120W-30K-45D-B1	SPAR38-1503045TD-12DE26-1-1100350	849665012306	120W Bright White PAR Equivalent, Flood Light	PAR38	17	3000K	3	70	85	1,500	25,000

* 150 Bulbs per pallet