

C-WP-A-TR-3L Series

LED Traditional Style Wall Pack - Small
Replaces 100W PSMH

C-LITE
LED LIGHTING BY **CREE**



A NEW TWIST ON AN OLD CLASSIC!

EFFICIENT

- Uses 45% less energy than comparable HID fixtures
- Quick, easy installation

RECOMMENDED USE

- Security
- Pathways
- Perimeter lighting

DURABLE

- Lens is heat and shock resistant
- Powder-coat finish withstands the test of time

INPUT VOLTAGE

- Universal (120V through 277V Operation)

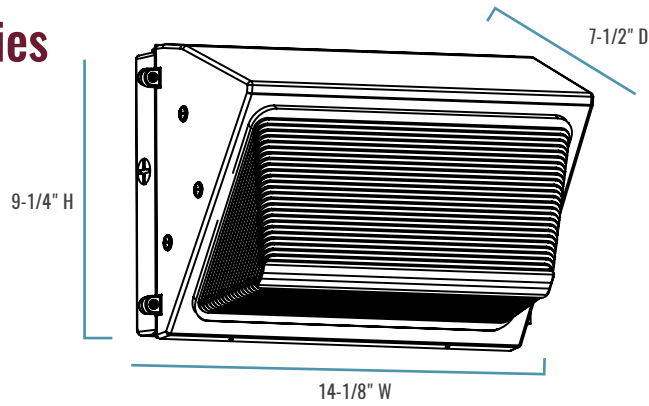
CERTIFICATIONS:



US: c-lite.com

T (800) 236-6800 F (262) 504-5415

C-WP-A-TR-3L Series



Series overview

DIMENSIONS	PRODUCT WEIGHT	MOUNTING HEIGHT	SPACING
7-1/2" D x 14-1/8" W x 9-1/4" H	8.6 lbs.	8 to 18 feet	2 to 3 times the mounting height

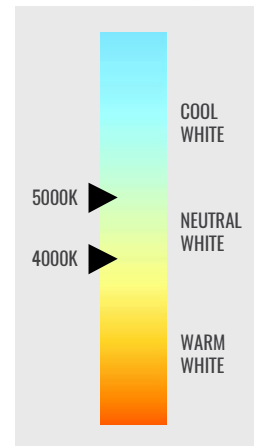
Fixture Specifications

HOUSING	Heavy duty, die-cast aluminum housing with hinged door frame Dark bronze polyester powder-coat finish
LENS ASSEMBLY	Heat and shock-resistant borosilicate glass prismatic lens
MOUNTING	1/2" NPT tapped knockouts for conduit entrances (one on top, one on each side, one on back)

Electrical Performance

OPERATING MINIMUM	LIFESPAN (Estimated) <small>L₇₀ AT 25°C (77°F)</small>	POWER FACTOR	TOTAL HARMONIC DISTORTION	DIMMABLE
-40°C (-40°F)	Estimated 76,000 Hours	> 0.9	< 20%	No
INPUT VOLTAGE	120V	208V	240V	277V
CURRENT DRAW (Amps)	0.41A	0.24A	0.21A	0.19A

CORRELATED COLOR TEMPERATURE (CCT)



Warranty and Certifications

Warranty	UL Listed	Energy Star
5-Year Limited*	Wet Locations	N/A

Output Specifications

SKU	Light Output	Color Temp (see chart)	Power Consumption	Color Accuracy	Replaces
C-WP-A-TR-3L-50K-DB	3,400 Lumens	Cool White (5000K)	47W	≥ 70 CRI	100W PSMH
C-WP-A-TR-3L-40K-DB	3,400 Lumens	Neutral White (4000K)	47W	≥ 70 CRI	100W PSMH

C-WP-A-TR-3L Series

Accessories



Photocell - Button, 120V/208V/240V/277V

SKU: C-ACC-A-PCCELL-LV (120V)

C-ACC-A-PCCELL-HV (208V/240V/277V)

USE: Photocell is field installed and drilling of the back box in the field is required.

Photometric Diagram



All published photometric testing performed to IESNA LM-79-08 standards by a NVLAP certified laboratory. Fixture photometry was completed on a single representative fixture.