

# C-WP-A-TR-12L Series

LED Traditional Style Wall Pack - Large  
Replaces 175W MH

**C-LITE**  
LED LIGHTING BY CREE



**THE TRADITIONAL LOOK YOU LOVE - IN LED!**

## EFFICIENT

- 107 lumens per watt
- Uses 35% less energy compared to 250W MH

## RECOMMENDED USE

- Security
- Pathways
- Perimeter lighting

## DURABLE

- Sturdy die-cast aluminum housing that will last as long as the LEDs inside

## INPUT VOLTAGE

- Universal (120V through 277V Operation)

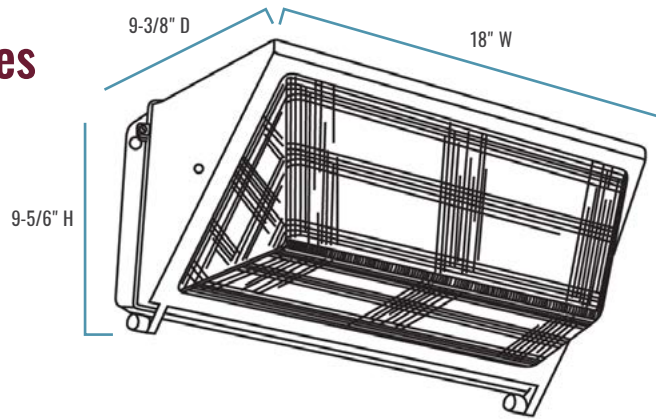
CERTIFICATIONS:



US: [c-lite.com](http://c-lite.com)

T (800) 236-6800 F (262) 504-5415

# C-WP-A-TR-12L Series



## Series overview

DIMENSIONS	PRODUCT WEIGHT	MOUNTING HEIGHT	SPACING
9-3/8" D x 18" W x 9-5/6" H	14.3 lbs.	12 to 20 feet	2 to 3 times the mounting height

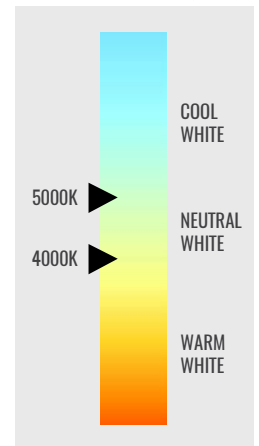
## Fixture Specifications

<b>HOUSING</b>	Heavy duty, die-cast aluminum housing with hinged door frame Dark bronze polyester powder-coat finish
<b>LENS ASSEMBLY</b>	Heat and shock-resistant borosilicate glass prismatic lens
<b>MOUNTING</b>	1/2" NPS knockouts on top and sides or rear mounting plate for conduit entry

## Electrical Performance

OPERATING MINIMUM	LIFESPAN (Estimated) <small>L<sub>70</sub> AT 25°C (77°F)</small>	POWER FACTOR	TOTAL HARMONIC DISTORTION	DIMMABLE
-40°C (-40°F)	Estimated 172,000 Hours	> 0.9	< 20%	No
<b>INPUT VOLTAGE</b>	<b>120V</b>	<b>208V</b>	<b>240V</b>	<b>277V</b>
<b>CURRENT DRAW (Amps)</b>	1.02A	0.59A	0.53A	0.47A

## CORRELATED COLOR TEMPERATURE (CCT)



## Warranty and Certifications

Warranty	UL Listed	Energy Star
5-Year Limited*	Wet Locations	N/A

## Output Specifications

SKU	Light Output	Color Temp (see chart)	Power Consumption	Color Accuracy	Replaces
<b>C-WP-A-TR-12L-50K-DB</b>	12,500 Lumens	Cool White (5000K)	87W	≥ 70 CRI	250W MH
<b>C-WP-A-TR-12L-40K-DB</b>	12,500 Lumens	Neutral White (4000K)	87W	≥ 70 CRI	250W MH

# C-WP-A-TR-12L Series

## Accessories



**Photocell - Button, 120V/208V/240V/277V**

**SKU: C-ACC-A-PCCELL-LV (120V)**

**C-ACC-A-PCCELL-HV (208V/240V/277V)**

**USE:** Photocell is field installed and drilling of the back box in the field is required.

## Photometric Diagram



All published photometric testing performed to IESNA LM-79-08 standards by a NVLAP certified laboratory. Fixture photometry was completed on a single representative fixture.