

C-CP-A-SQ-49L Series

LED Canopy Light - Wide Distribution - Small
Replaces 100W PSMH

C-LITE
LED LIGHTING BY CREE



OVER 3000 LUMENS, 100 LUMENS PER WATT & DLC LISTED!

EFFICIENT

- Uses 72% less energy than comparable PSMH fixtures
- Delivers nearly 10% more light than comparable PSMH fixtures

DURABLE

- Polyester powder-coat finish provides corrosion protection for long-lasting color
- UV-stabilized lens designed to last

RECOMMENDED USE

- Security
- Entryways
- Perimeter Lighting
- Exterior canopies

INPUT VOLTAGE

- Universal (120V through 277V Operation)

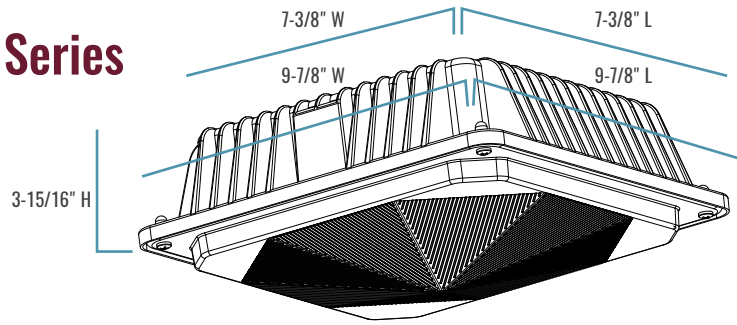
CERTIFICATIONS:



US: c-lite.com

T (800) 236-6800 F (262) 504-5415

C-CP-A-SQ-49L Series



Series overview

DIMENSIONS	PRODUCT WEIGHT	MOUNTING HEIGHT	SPACING
7-3/8" L x 7-3/8" W x 3-15/16" H 9-7/8" L x 9-7/8" W (Outer Edge)	5.0 lbs.	8 to 15 feet	1 to 2 times the mounting height

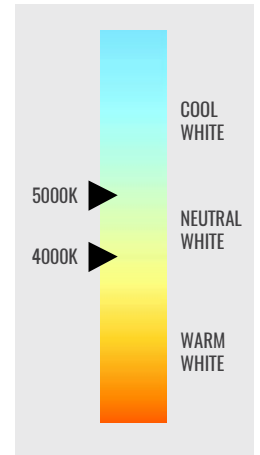
Fixture Specifications

HOUSING	Low-copper, die-cast aluminum housing Dark bronze or white polyester powder-coat finish
LENS ASSEMBLY	UV-stabilized acrylic prismatic refractor with self-retaining screws
MOUNTING	3/4" conduit entry on top for pendant mounting 1/2" conduit entries on two sides

Electrical Performance

OPERATING MINIMUM	LIFESPAN <small>L₇₀ AT 25°C (77°F)</small>	POWER FACTOR	TOTAL HARMONIC DISTORTION	DIMMABLE
-40°C (-40°F)	Estimated 50,000 Hours	> 0.9	< 20%	No
INPUT VOLTAGE	120V	208V	240V	277V
CURRENT DRAW (Amps)	0.30A	0.17A	0.15A	0.14A

CORRELATED COLOR TEMPERATURE (CCT)



Warranty and Certifications

Warranty	UL Listed	Energy Star
5-Year Limited*	Wet Locations	N/A

C-CP-A-SQ-49L Series

Output Specifications

SKU	Light Output	Color Temp (see chart)	Power Consumption	Color Accuracy	Replaces
C-CP-A-SQ-49L-50K-DB	4,900 Lumens	Cool White (5000K)	36W	≥ 70 CRI	100W PSMH
C-CP-A-SQ-49L-40K-DB	4,900 Lumens	Neutral White (4000K)	36W	≥ 70 CRI	100W PSMH
C-CP-A-SQ-49L-50K-WH	4,900 Lumens	Cool White (5000K)	36W	≥ 70 CRI	100W PSMH
C-CP-A-SQ-49L-40K-WH	4,900 Lumens	Neutral White (4000K)	36W	≥ 70 CRI	100W PSMH

Photometric Diagram



All published photometric testing performed to IESNA LM-79-08 standards by a NVLAP certified laboratory. Fixture photometry was completed on a single representative fixture.