

# A19

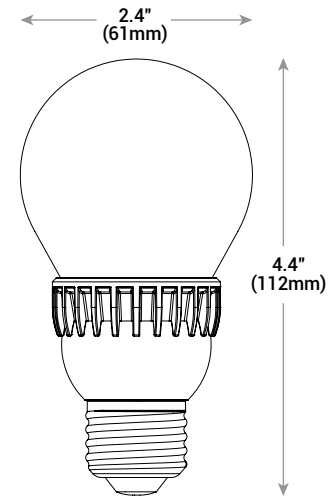
LED Bulbs

## Product Description

The Cree® LED A19 bulbs deliver up to 1100 lumens of warm 2700K light or cool 5000K light, while consuming at least 84% less energy than the incandescent bulbs they replace. These lamps feature a consistent and balanced omnidirectional light source within a real glass bulb, turn on instantly, and are compatible with most standard incandescent dimmers. Powered by Cree® LED Filament Tower™ Technology, the Cree® LED A19 bulbs are ENERGY STAR® qualified and are designed to last 25,000 hours.

## Performance Summary

Utilizes Cree LED Filament Tower™ Technology
Made in the U.S.A. of U.S. and imported parts
<b>Lamp Delivered Light Output:</b> 450 lumens (40W eq); 800 lumens (60W eq); 1,100 lumens (75W eq)
<b>Input Power:</b> 6 watts (40W eq) 9.5 watts (60W 2700K eq) 9 watts (60W 5000K eq) 13.5 watts (75W eq)
<b>CRI:</b> 80
<b>CCT:</b> 2700K, 5000K*
<b>Limited Warranty†:</b> 3 years
<b>Lifetime:</b> Designed to last at least 25,000 hours
<b>Dimming:</b> Dimmable to 5% with select dimmers**



## Ordering Information

Example: A19-60W-27K-T24



For full list of Cree Quick Ship products visit [www.cree.com/lighting/quickship](http://www.cree.com/lighting/quickship)

Product	Watt Equivalent	CCT	Voltage	Base	CRI	Packaging Options
A19	40W 40 Watt (450 lumens) 60W 60 Watt (800 lumens) 75W 75 Watt (1100 lumens)	27K 2700 Kelvin 50K* 5000 Kelvin	Blank 120 Volt	Blank E26 (screw base)	Blank 80 CRI	B6 (6) Blister Pack bulbs in master carton T24 - 40W & 60W Equivalent (24) Tray Pack bulbs in master carton (Bulk Pack) T12 - 75W Equivalent (12) Tray Pack bulbs in master carton (Bulk Pack)

\* See [www.cree.com/lighting/products/warranty](http://www.cree.com/lighting/products/warranty) for warranty terms

\* Not available for A19 40W equivalent

\*\*Reference [www.cree.com/lighting](http://www.cree.com/lighting) for recommended dimming controls



Rev. Date: R3 07/11/14



US: [www.cree.com/lighting](http://www.cree.com/lighting)

T (800) 236-6800 F (262) 504-5415

Canada: [www.cree.com/canada](http://www.cree.com/canada)

T (800) 473-1234 F (800) 890-7507

**Product Specifications**

**CONSTRUCTION & MATERIALS**

- A-type bulb design weighs less than 4 ounces (113g) and uses a standard E26 screw base
- Silicon coated globe for increased safety
- Bulb meets ANSI standards for A19 dimensions
- Mercury free

**OPTICAL SYSTEM**

- Proprietary Cree LED Filament Tower™ creates perfect omnidirectional light distribution
- Glass globe offers increased optical spread

**ELECTRICAL SYSTEM**

- **Power Factor:** > 0.9 nominal
- **Input Voltage:** 120V
- Dimming: Dimmable to 5% with select dimmers
- Suitable for use in operating environments between -25°C and +45°C (-13°F and +113°F)

**REGULATORY & VOLUNTARY QUALIFICATIONS**

- cULus Listed
- Suitable for damp locations; not for use where exposed directly to weather or water
- Suitable for use in enclosed light fixtures
- **ENERGY STAR® qualified:**  
Please refer to <http://www.energystar.gov/productfinder/product/certified-light-bulbs/results> for most current information  
A19 40W (27K): BA19-04527OMF-12DE26-2U100  
A19 60W (27K): BA19-08027OMF-12DE26-2U100  
A19 60W (50K): BA19-08050OMF-12DE26-2U100  
A19 75W (27K): BA19-11027OMF-12DE26-1U100  
A19 75W (50K): BA19-11050OMF-12DE26-1U100

**A19 B6**

(6) Blister Pack bulbs in master carton



**A19 T24 -  
40W & 60W Equivalents  
(24) Tray Pack bulbs in  
master carton (Bulk Pack)**



**A19 T12 -  
75W Equivalents  
(12) Tray Pack bulbs in  
master carton (Bulk Pack)**



Product Number	UPC	Description	Bulb Type	Watts	CCT	Lamps per Master Carton	Pallet Qty	CRI	Lumens	Rated Life (Hrs)
A19-40W-27K-B1*	810048028092	40W Warm White A19 Equivalent	A19	6W	2700K	6	480	80	450	25,000
A19-60W-27K-B1*	810048028108	60W Warm White A19 Equivalent	A19	9.5W	2700K	6	480	80	800	25,000
A19-60W-50K-B1*	810048028115	60W Daylight A19 Equivalent	A19	9W	5000K	6	480	80	800	25,000
A19-75W-27K-B1*	849665001133	75W Warm White A19 Equivalent	A19	13.5W	2700K	6	480	80	1,100	25,000
A19-75W-50K-B1*	849665001140	75W Daylight A19 Equivalent	A19	13.5W	5000K	6	480	80	1,100	25,000
A19-40W-27K-T24	810048028283	40W Warm White A19 Equivalent	A19	6W	2700K	24	1,296	80	450	25,000
A19-60W-27K-T24	810048028290	60W Warm White A19 Equivalent	A19	9.5W	2700K	24	1,296	80	800	25,000
A19-60W-50K-T24	810048028306	60W Daylight A19 Equivalent	A19	9W	5000K	24	1,296	80	800	25,000
A19-75W-27K-T12	849665001171	75W Warm White A19 Equivalent	A19	13.5W	2700K	12	130	80	1,100	25,000
A19-75W-50K-T12	849665001188	75W Daylight A19 Equivalent	A19	13.5W	5000K	12	130	80	1,100	25,000

\* Must be ordered in quantities of 6