

LR24™

2'x2' Architectural LED Troffer

Product Description

The LR24™ architectural LED troffer delivers up to 3800 lumens of exceptional 90+ CRI light while achieving over 73 lumens per watt. This breakthrough performance is achieved by combining the high efficacy and high-quality light of Cree TrueWhite® Technology. The LR24 is available in a neutral color temperature and offers 0-10V DC Control dimming standard. Its compact, lightweight design easily accommodates recessed installations, making the LR24 perfect for use in commercial new construction or retrofit applications.

Performance Summary

Utilizes Cree TrueWhite® Technology

Active Color Management

Delivered Light Output: 3200, 3800 lumens

Input Power: 44, 52 watts

CRI: 90

CCT: 3500K

Input Voltage: 120-277 VAC

Warranty: 5 Years†

Lifetime: Designed to last 50,000 hours

Dimming: Dimmable to 5% with 0-10V DC control*

Mounting: Recessed

Dimensions: L 24" x W 24" x H 5.8"

Weight: max 15lbs.

Ordering Information

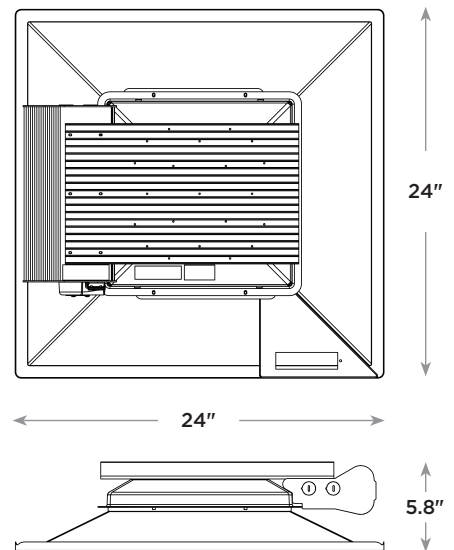
Example: LR24-32SKA35

Product
LR24-32SKA35 3200 Lumens, 44W
LR24-38SKA35 3800 Lumens, 52W

* Reference www.cree.com/lighting for recommended dimming control options.

† See www.cree.com/lighting for warranty terms.

LR24



Product Specifications

CREE TRUEWHITE® TECHNOLOGY

A revolutionary way to generate high-quality white light, Cree TrueWhite® Technology mixes the light from the highest performing red and unsaturated yellow LEDs. This patented approach delivers an exclusive combination of 90 CRI, beautiful light characteristics, and lifelong color consistency, all while maintaining high luminous efficacy—a true no compromise solution.

CONSTRUCTION & MATERIALS

- Field replaceable light engine integrates LEDs, driver, power supply, thermal management, and optical mixing components.
- Thermal management system uses integral heat sink to conduct heat away from LEDs and transfer it to the plenum space for optimal performance. LED junction temperatures stay below specified maximum when installed in typical commercial installations.
- Cold-rolled steel lower reflector finished with a textured high reflectance white polyester powder coating creates a comfortable visual transition from the lens to the ceiling plane.

NOTE: Reference www.cree.com/lighting for detailed instructions on field replacement of the light engine.

OPTICAL SYSTEM

- Unique combination of reflective and refractive optical components achieves a uniform, comfortable appearance while eliminating pixelation and color fringing.
- Components work together to optimize distribution, balancing the delivery of high illuminance levels on horizontal surfaces with an ideal amount of light on walls and vertical surfaces. This increases the perception of spaciousness.
- Diffusing lens shields direct view of LEDs while lower reflector balances brightness of lens with the ceiling to create a low-glare high angle appearance.

ELECTRICAL SYSTEM

- Integral, high-efficiency driver and power supply.
- **Power Factor** = 0.9 nominal
- **Input Voltage:** 120V-277V, 50/60Hz
- **Dimming:** Dimmable to 5% with 0 to 10V DC control protocol. Reference www.cree.com/lighting for recommended dimming controls.

REGULATORY & VOLUNTARY QUALIFICATIONS

- cETLus Listed
- CE certified.
- DLC qualified.

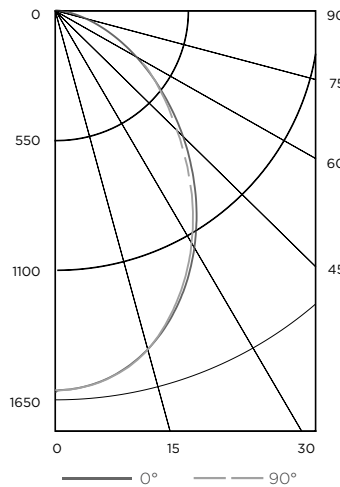
Application Reference

Open Space					
Spacing	Lumens	Wattage	LPW	w/ft²	Average fc
8 x 8	3200L	44	73	0.66	48
	3800L	52	73	0.78	56
8 x 10	3200L	44	73	0.53	38
	3800L	52	73	0.62	45
10 x 10	3200L	44	73	0.44	32
	3800L	52	73	0.52	38
10 x 12	3200L	44	73	0.35	25
	3800L	52	73	0.42	30

9' ceiling: 80/50/20 reflectances, 2.5' workplane, open room
LLF: 1.0 Initial. Open Space: 50' x 40' x 10'

Photometry

LR24-32SKA35 BASED ON ITL TEST #: 59648



Zonal Lumen Summary

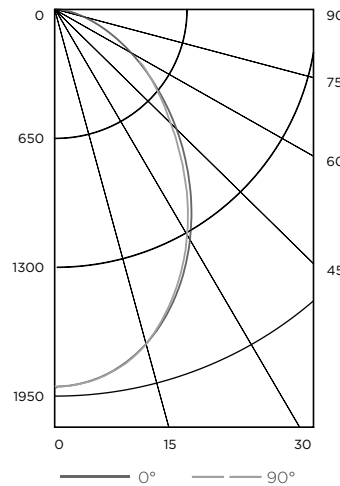
Zone	Lumens	% Lamp	% Fix
0-30	1145	35.8%	35.8%
0-40	1767	55.2%	55.2%
0-60	2750	85.9%	85.9%
0-90	3200	100%	100%

Intensity (Candlepower) Summary

Angle	0°	90°
0°	1600	1600
5°	1582	1584
15°	1467	1469
25°	1258	1263
35°	981	996
45°	695	721
55°	459	482
65°	276	294
75°	131	142
85°	2	5
90°	0	0

Reference www.cree.com/lighting for detailed photometric data.

LR24-38SKA35 BASED ON ITL TEST #: 59648



Zonal Lumen Summary

Zone	Lumens	% Lamp	% Fix
0-30	1360	35.8%	35.8%
0-40	2098	55.2%	55.2%
0-60	3266	85.9%	85.9%
0-90	3800	100%	100%

Intensity (Candlepower) Summary

Angle	0°	90°
0°	1900	1900
5°	1879	1881
15°	1742	1744
25°	1494	1500
35°	1165	1183
45°	825	856
55°	545	572
65°	328	349
75°	156	169
85°	2	6
90°	0	0

Reference www.cree.com/lighting for detailed photometric data.

