

# C-AR-A-SQT5 Series

LED Shoebox-Style Area Light - Type V  
Replaces 320W PSMH / 400W MH

**C-LITE**  
LED LIGHTING BY CREE

- Fixture is only intended for mounting orientations from 0° - 90° tilt.
- Do NOT use as an uplight.



## REPLACE 320W PSMH / 400W MH WITH TYPE III OR V OPTICS

A one-for-one replacement for traditional shoebox-style area lights!  
Wire to a new or existing pole for an instant application upgrade, all while consuming over 65% less power than 320W PSMH / 400W MH.

### TYPE V DISTRIBUTION

- Symmetric light distribution - perfect for parking lots & large open areas
- Optimized optics for increased light control and reduced hot spots

### RECOMMENDED USE

- General area lighting
- Parking lots & walkways
- Perimeter lighting

### INPUT VOLTAGE

- Universal (120V through 277V Operation)

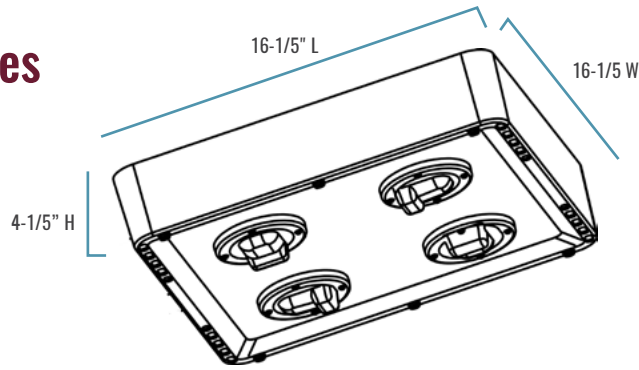
CERTIFICATIONS:



US: [c-lite.com](http://c-lite.com)

T (800) 236-6800 F (262) 504-5415

# C-AR-A-SQT5 Series



## Series overview

DIMENSIONS	PRODUCT WEIGHT	MOUNTING HEIGHT	SPACING
16-1/5" L x 16-1/5" W x 4-1/5" H	18.0 lbs.	15 to 25 feet	N/A

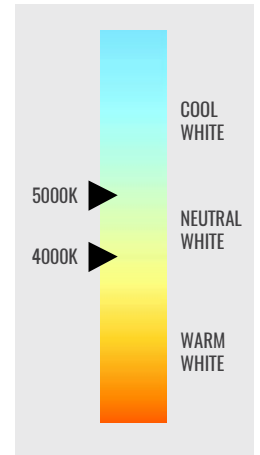
## Fixture Specifications

<b>HOUSING</b>	Durable, die-cast aluminum housing with heat dissipating fins Dark bronze polyester powder-coat finish
<b>LENS ASSEMBLY</b>	Optimized Type V optics for uniform light distribution
<b>MOUNTING</b>	Fixture comes without mounting (sold separately) Intended for mounting orientations from 0° - 90° tilt. Do NOT use as an uplight.

## Electrical Performance

OPERATING MINIMUM	LIFESPAN <small>L<sub>70</sub> AT 25°C (77°F)</small>	POWER FACTOR	TOTAL HARMONIC DISTORTION	DIMMABLE
-40°C (-40°F)	Estimated 127,000 Hours	> 0.9	< 20%	No
<b>INPUT VOLTAGE</b>	<b>120V</b>	<b>208V</b>	<b>240V</b>	<b>277V</b>
<b>CURRENT DRAW (Amps)</b>	1.11A	0.63A	0.55A	0.47A

## CORRELATED COLOR TEMPERATURE (CCT)



## Warranty and Certifications

Warranty	UL Listed	Energy Star
5-Year Limited*	Wet Locations (0°-90° Tilt Only)	N/A

## Output Specifications

SKU	Light Output	Color Temp (see chart)	Power Consumption	Color Accuracy	Replaces
<b>C-AR-A-SQT5-15L-50K-DB</b>	15,000 Lumens	Cool White (5000K)	119W	70 CRI	320W PSMH / 400W MH
<b>C-AR-A-SQT5-16L-40K-DB</b>	16,000 Lumens	Neutral White (4000K)	119W	70 CRI	320W PSMH / 400W MH

# C-AR-A-SQT5 Series

## Accessories



**Photocell - Button, 120V/208V/240V/277V**

**SKU: C-ACC-A-PCCELL-LV (120V)**

**C-ACC-A-PCCELL-HV (208V/240V/277V)**

**USE:** Photocell is field installed. For use with 2" adjustable slip fitter only

## Mounting Options



**6" Mounting Arm**

**SKU: C-ACC-A-MTARM-2IN-DB**

**USE:** For pole mounting. For use only with C-AR-A-SQT Series



**2" Slip Fitter**

**SKU: C-ACC-A-MTSL-2IN-DB**

**USE:** For pole mounting. Fits over 2-3/8" O.D. pipe



**Adjustable U-bracket**

**SKU: C-ACC-A-SBMTARM-6IN-DB**

**USE:** For wall mounting.

## Photometric Diagram



Note: Shown with a mounting height of 20 feet and 0° tilt