

C-AR-A-SQT3 Series

LED Shoebox-Style Area Light - Type III
Replaces 320W PSMH / 400W MH

C-LITE
LED LIGHTING BY CREE

- For optimum fixture performance, no tilt recommended.
- Can be tilted 0°-10° if desired.
- Do NOT use as an uplight.



REPLACE 320W PSMH / 400W MH WITH TYPE III OR V OPTICS

A one-for-one replacement for traditional shoebox-style area lights!
Wire to a new or existing pole for an instant application upgrade, all while consuming over 65% less power than 320W PSMH / 400W MH.

TYPE III DISTRIBUTION

- Lateral light distribution - perfect for parking lots & large open areas
- Optimized optics for increased light control

RECOMMENDED USE

- General area lighting
- Parking lots & walkways
- Perimeter lighting

INPUT VOLTAGE

- Universal (120V through 277V Operation)

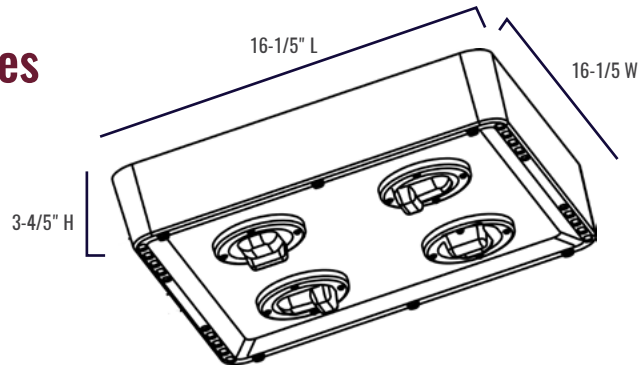
CERTIFICATIONS:



US: c-lite.com

T (800) 236-6800 F (262) 504-5415

C-AR-A-SQT3 Series



Series overview

DIMENSIONS	PRODUCT WEIGHT	MOUNTING HEIGHT	SPACING
16-1/5" L x 16-1/5" W x 3-4/5" H	17.6 lbs.	15 to 25 feet	1 to 2 times the mounting height

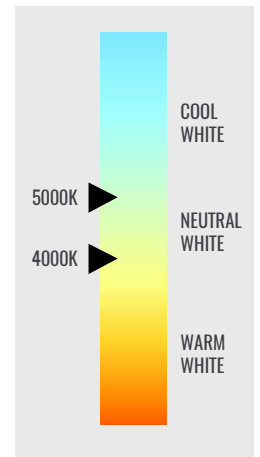
Fixture Specifications

HOUSING	Durable, die-cast aluminum housing with heat dissipating fins Dark bronze polyester powder-coat finish
LENS ASSEMBLY	Optimized Type III optics
MOUNTING	Fixture comes without mounting (sold separately) • For optimum fixture performance, no tilt recommended • Can be tilted 0°-10° if desired • Do NOT use as an uplight

Electrical Performance

OPERATING MINIMUM	LIFESPAN <small>L₇₀ AT 25°C (77°F)</small>	POWER FACTOR	TOTAL HARMONIC DISTORTION	DIMMABLE
-40°C (-40°F)	Estimated > 127,000 Hours	> 0.9	< 20%	No
INPUT VOLTAGE	120V	208V	240V	277V
CURRENT DRAW (Amps)	1.1A	0.63A	0.55A	0.47A

CORRELATED COLOR TEMPERATURE (CCT)



Warranty and Certifications

Warranty	UL Listed	Energy Star
5-Year Limited*	Wet Locations (0°-10° Tilt Only)	N/A

Output Specifications

SKU	Light Output	Color Temp (see chart)	Power Consumption	Color Accuracy	Replaces
C-AR-A-SQT3-17L-50K-DB	17,000 Lumens	Cool White (5000K)	119W	70 CRI	320W PSMH / 400W MH
C-AR-A-SQT3-16L-40K-DB	16,000 Lumens	Neutral White (4000K)	119W	70 CRI	320W PSMH / 400W MH

C-AR-A-SQT3 Series

Accessories



Photocell - Button, 120V/208V/240V/277V

SKU: C-ACC-A-PCCELL-LV (120V)

C-ACC-A-PCCELL-HV (208V/240V/277V)

USE: Photocell is field installed. For use with 2" adjustable slip fitter only

Mounting Options



6" Mounting Arm

SKU: C-ACC-A-MTARM-2IN-DB

USE: For pole mounting. For use only with C-AR-A-SQT Series



2" Slip Fitter

SKU: C-ACC-A-MTSL-2IN-DB

USE: For pole mounting. Fits over 2-3/8" O.D. pipe

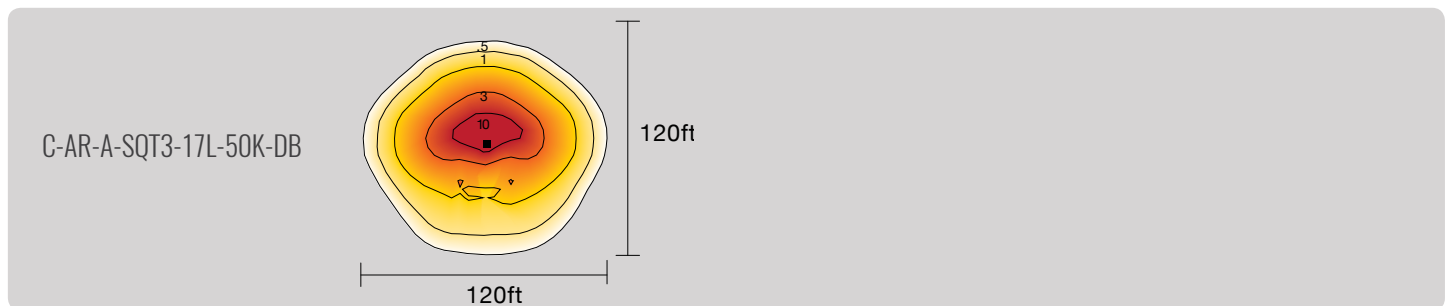


Adjustable U-bracket

C-ACC-A-SBMTARM-6IN-DB

USE: For wall mounting. For use only with C-AR-A-SQT Series

Photometric Diagram



Note: Shown with a mounting height of 20 feet and 0° tilt