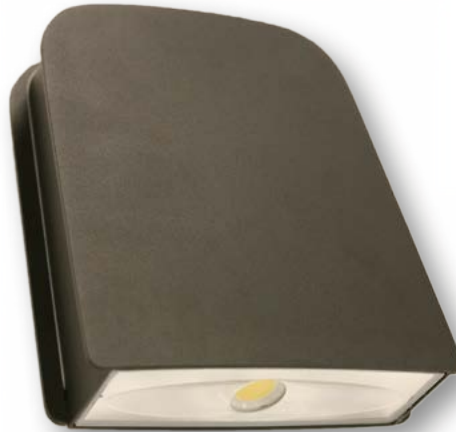


C-WP-A-SL-4L Series

LED Architectural Slim Wall Pack / Flood - Small
Replaces 100W PSMH / 175W MH

C-LITE
LED LIGHTING BY **CREE**



**EXCEPTIONAL ILLUMINATION FOR YOUR ENTIRE BUILDING PERIMETER
WITH A CONSISTENT LOOK.**

RECOMMENDED USE

- Security
- Perimeter Lighting
- When control of spill light is important
- Flood and uplighting with adjustable mounting accessories

INPUT VOLTAGE

- Universal (120V through 277V Operation)

VERSATILE

- Floodlight - Wall Mounted
(use C-ACC-A-AUBAS-SM-DB)
- Floodlight - Pole Mounted
(use C-ACC-A-2SFAS-SM-DB)
- Floodlight - Ground Mounted
(use C-ACC-A-SMBAS-DB)
- Wall Pack - Wall Mounted
(use C-ACC-A-12SFAS-SM-DB)

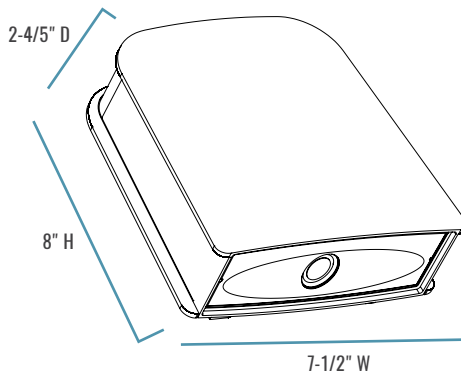
CERTIFICATIONS:



US: c-lite.com

T (800) 236-6800 F (262) 504-5415

C-WP-A-SL-4L Series



Series overview

DIMENSIONS	PRODUCT WEIGHT	MOUNTING HEIGHT	SPACING
2-4/5" D x 7-1/2" W x 8" H	3.6 lbs.	8 to 20 feet	1 to 2 times the mounting height

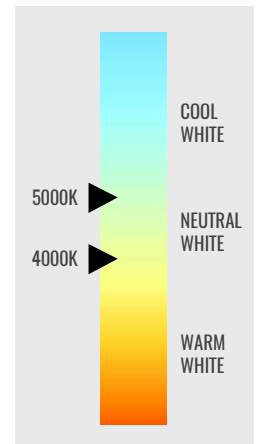
Fixture Specifications

HOUSING	Sturdy, die-cast aluminum housing Dark bronze polyester powder-coat finish
LENS ASSEMBLY	Tempered glass lens is thermal, shock & impact resistant
MOUNTING	Included mounting plate mounts over 4" square or octagonal junction box

Electrical Performance

OPERATING MINIMUM	LIFESPAN L ₇₀ AT 25°C (77°F)	POWER FACTOR	TOTAL HARMONIC DISTORTION	DIMMABLE
-40°C (-40°F)	Estimated 133,000 Hours	> 0.9	< 20%	No
INPUT VOLTAGE	120V	208V	240V	277V
CURRENT DRAW (Amps)	0.33A (40W) 0.50A (60W)	0.19A (40W) 0.28A (60W)	0.16A (40W) 0.25A (60W)	0.14A (40W) 0.22A (60W)

CORRELATED COLOR TEMPERATURE (CCT)



Warranty and Certifications

Warranty	UL Listed	Energy Star
5-Year Limited*	Wet Locations	N/A

Output Specifications

SKU	Light Output	Color Temp (see chart)	Power Consumption	Color Accuracy	Replaces
C-WP-A-SL-4L-50K-DB	3,900 Lumens	Cool White (5000K)	40W	≥ 70 CRI	100W PSMH
C-WP-A-SL-4L-40K-DB	3,900 Lumens	Neutral White (4000K)	40W	≥ 70 CRI	100W PSMH

C-WP-A-SL-4L Series

Accessories



Photocell - Button, 120V/208V/240V/277V
SKU: C-ACC-A-PCCELL-LV (120V)
C-ACC-A-PCCELL-HV (208V/240V/277V)

USE: Can only be installed with one of the mounting accessories listed. Photocell is field installed and drilling of the back box is required.



Surface Mounting Box
SKU: C-ACC-A-SMBAS-DB

USE: For use where there is no existing junction box or for easy through-wiring



2" Adjustable Slip Fitter
SKU: C-ACC-A-2SFAS-SM-DB

USE: Fits over 2-3/8" O.D. pipe



Adjustable U-Bracket
SKU: C-ACC-A-AUBAS-SM-DB

USE: Comes with 24" cord



1/2" Swivel Fitter
SKU: C-ACC-A-12SFAS-SM-DB

Photometric Diagrams



All published photometric testing performed to IESNA LM-79-08 standards by a NVLAP certified laboratory. Fixture photometry was completed on a single representative fixture.