

C-AR-A-4LD Series

LED Area Light - Type III
Replaces 400W PSMH

C-LITE
LED LIGHTING BY CREE



For use in 0° orientation
(downlight position)
only

A ONE-FOR-ONE REPLACEMENT FOR 400W PSMH.

EFFICIENT

- Uses 48% less energy than comparable 400W PSMH fixtures
- Heat dissipating fins keep LEDs running cooler, longer

DURABLE

- Sturdy, low-copper die-cast aluminum construction
- Rugged tempered glass lens

RECOMMENDED USE

- General area lighting
- Parking lots
- Roadways

INPUT VOLTAGE

- Universal (120V through 277V Operation)

CERTIFICATIONS:

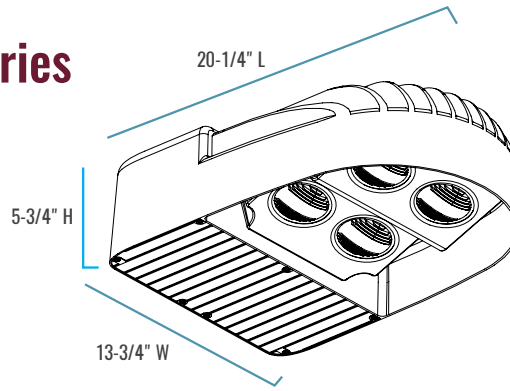


CREE 
LEDs

US: c-lite.com

T (800) 236-6800 F (262) 504-5415

C-AR-A-4LD Series



Series overview

DIMENSIONS	PRODUCT WEIGHT	MOUNTING HEIGHT	SPACING
20-1/4" L x 13-3/4" W x 5-3/4" H	26.71 lbs.	20 to 30 feet	4 to 5 times the mounting height

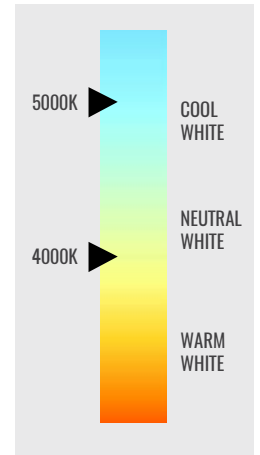
Fixture Specifications

HOUSING	Low-copper, die-cast aluminum housing • Dark bronze polyester powder-coat finish
LENS ASSEMBLY	Tempered glass lens is thermal, shock and impact resistant Patented lens design delivers IES Type III distribution
MOUNTING	Fixture comes without mounting (sold separately) For use in 0° tilt (downlight position) only

Electrical Performance

OPERATING MINIMUM	LIFESPAN <small>L₇₀ AT 25°C (77°F)</small>	POWER FACTOR	TOTAL HARMONIC DISTORTION	DIMMABLE
-40°C (-40°F)	Estimated >100,000 Hours	< 0.9	< 20%	No
INPUT VOLTAGE	120V	208V	240V	277V
CURRENT DRAW (Amps)	1.9A	1.1A	0.95A	0.82A

CORRELATED COLOR TEMPERATURE (CCT)



Warranty and Certifications

Warranty	UL Listed	Energy Star
5-Year Limited*	Wet Locations (0° tilt only)	N/A

Output Specifications

SKU	Light Output	Color Temp (see chart)	Power Consumption	Color Accuracy	Replaces
C-AR-A-4LD-23L-50K-DB	23,000 Lumens	Cool White (5000K)	228W	≥ 70 CRI	400W PSMH
C-AR-A-4LD-23L-40K-DB	23,000 Lumens	Neutral White (4000K)	228W	≥ 70 CRI	400W PSMH

C-AR-A-4LD Series

Accessories



Photocell - Button, 120V/208V/240V/277V

SKU: C-ACC-A-PCCELL-LV (120V)

C-ACC-A-PCCELL-HV (208V/240V/277V)

USE: Photocell is field installed. For use with 2" adjustable slip fitter only

Mounting Options



6" Mounting Arm

SKU: C-ACC-A-MTARM-6IN-DB

USE: For pole mounting



2" Slip Fitter

SKU: C-ACC-A-MTSL-2IN-DB

USE: For pole mounting. Fits over 2-3/8" O.D. pipe



Adjustable U-bracket

SKU: C-ACC-A-AUB-2X5X6-DB

C-ACC-A-AUB-3X5X5-DB

USE: For wall mounting.