

# C6-LSA

Recessed "Pan" Conversion Kit

## Product Description

The C6-LSA is a hard-wire conversion kit, designed to convert "pan" type recessed downlight housings, with 6"-8" apertures\*, for use with LR6 and CR6 downlights from Cree. Rated for use with low-wattage luminaires, the C6-LSA can help to optimize energy density calculations, making energy code compliance and LEED certification easier.

## Product Specifications

### CONSTRUCTION & MATERIALS

Rugged one-piece housing

Hard-wire connector assembly complete with strain relief

Integral mounting clips adjust to accommodate various apertures

GU24 base for 120 Volt input or 277V Connector for 277 Volt input

Suitable for insulated or non-insulated ceilings

### REGULATORY & VOLUNTARY QUALIFICATIONS

cULus Listed

Suitable for damp locations.

## Compatible Downlights

C6-120V-LSA	C6-277V-LSA
CR6 Series (GU24 Base Only)	LR6-277V (277V Connector Only)
LR6 Series (GU24 Base Only)	

## Compatible Housings

- Designed to fit housings with apertures from 6.25" to 6.75".
- GR8 adapter ring accommodates housings with apertures up to 8.5" in diameter.

## Ordering Information

Example: C6-120V-LSA

Product	
C6-120V-LSA 120V, GU24 Socket	C6-277V-LSA 277V, 277V Connector

## Accessories

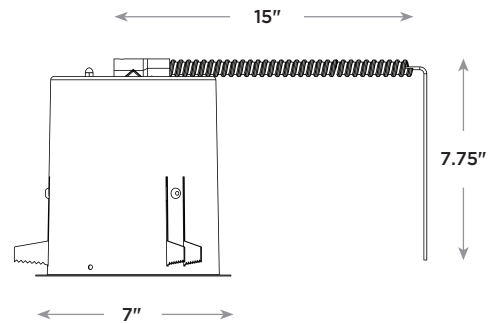
Accessories
GR8 Optional 8" Adapter Ring

## Installation

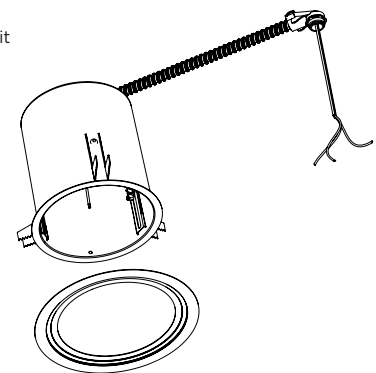
- Disconnect Power
- Remove existing lamp, trim, and ballast (if required).
- Hard wire into existing junction box.
- Push assembly through ceiling opening until the mounting clips engage.
- Adjust mounting clips as needed.
- Install Cree six-inch downlight.

NOTE: Reference [www.cree.com/lighting](http://www.cree.com/lighting) for detailed installation instructions.

C6-LSA



C6-LSA  
Conversion Kit



GR8  
Adapter Ring



© 2012 Cree, Inc. and/or one of its subsidiaries. All rights reserved. For informational purposes only. See [www.cree.com/patents](http://www.cree.com/patents) for patents that cover these products. Cree®, and the Cree logo are registered trademarks of Cree, Inc. or one of its subsidiaries.

Rev. Date 06/20/2013

