

# VG-A-PD

VG Series Vehicle Garage Luminaire – Pendant Mount

## Product Description

Cree VG Series parking garage luminaires are designed to deliver optimal, low glare illumination by intelligently combining an in-house designed optical system consisting of indirect view LEDs, a highly efficient internal reflector and a precisely designed optical lens. Architectural design, quick and easy installation and low total cost of ownership makes the VG Series ideal for both new and existing parking garages. Pendant mount includes 66" (1,676mm) wires out of fixture and is intended to be mounted by 3/4 IP pendant (by others).

## Performance Summary

**Initial Delivered Lumens:** Up to 3,820 Lumens (Type V Medium),  
Up to 3,870 Lumens (Type V Wide)

**Input Power:** 50 Watts

**Optics:** Type V Medium Distribution or Type V Wide Distribution

Made in the U.S.A. of U.S. and imported parts

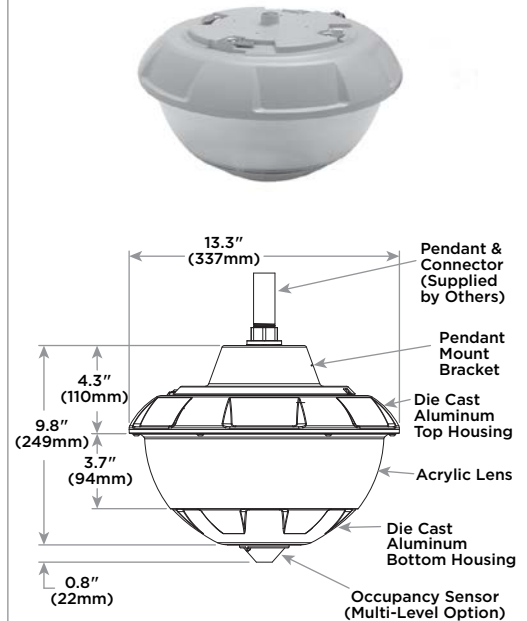
**CRI:** Minimum 70 CRI

**CCT:** 5700K (+ / - 500K), 4000K (+ / - 300K)

**Limited Warranty\*:** 10 years on luminaire / 10 years on Colorfast DeltaGuard® finish

## Accessories

| Field Installed Accessories  |  |
|------------------------------|--|
| <b>VG-BS*</b><br>Bird Shroud | <b>VG-PS</b><br>Perimeter Shroud   |
| * Specify finish color       | <b>XA-SENSREM</b><br>Hand-Held Remote<br>- For successful implementation of the programmable multi-level option, a minimum of one hand-held remote is required |



## Ordering Information

Example: VG-A-PD-5M-A-40K-UL-BK-OPTIONS

**QUICKSHIP™**

For full list of Cree Quick Ship products visit [www.cree.com/lighting/quickship](http://www.cree.com/lighting/quickship)

| VG                                | A       | PD            |  | A                      |                              |                        |   |   |  |
|-----------------------------------|---------|---------------|--|------------------------|------------------------------|------------------------|---|---|--|
| Product                           | Version | Mounting      | Optic  | Input Power Designator | CCT                          | -                      | Voltage   | Color Options   | Options  |
| VG<br>Vehicle<br>Garage<br>Series | A       | PD<br>Pendant | 5M<br>Symmetric<br>Medium<br>5W<br>Symmetric<br>Wide | A<br>50W               | 40K<br>4000K<br>57K<br>5700K | -<br>US<br>*<br>Canada | UL<br>Universal<br>120-277V<br>34<br>347V*<br>48<br>480V* | BK<br>Black<br>BZ<br>Bronze<br>PB<br>Platinum Bronze<br>SV<br>Silver<br>WH<br>White | <b>DIM 0-10V Dimming</b><br>- Control by others<br>- Refer to dimming spec sheet for details<br>- Can't exceed specified input power<br><b>ML Multi-Level</b><br>- Refer to ML spec sheet for details<br>- Includes occupancy sensor and ambient light sensor<br><b>PML Programmable Multi-Level</b><br>- Refer to PML spec sheet for details<br>- Includes occupancy sensor and ambient light sensor<br><b>TP Tamper Proof Screws</b><br>- Lens is attached to casting with six tamper proof screws |

\* See [www.cree.com/lighting/products/warranty](http://www.cree.com/lighting/products/warranty) for warranty terms

\* 347 and 480V utilizes magnetic step-down transformer. For input power for 347 and 480V, refer to the Lumen Output, Electrical, and Lumen Maintenance data table below



Rev. Date: 03/24/14



**Product Specifications**

The VG parking garage luminaire provides unprecedented glare control, consistent lighting uniformity, architectural design and low total cost of ownership. Pendant mount includes 66" (1,676mm) wires out of fixture and is intended to be mounted by 3/4 IP pendant (by others).

**OPTICAL SYSTEM**

- Indirect LED array eliminates direct view of highly efficient LEDs
- Precision engineered optical lens provides maximum low glare light distribution
- Internal white or specular optical reflectors provides choices of Type V Medium or Type V Wide distribution
- Comprehensive optical system provides consistent uniformity

**CONSTRUCTION & MATERIALS**

- Pendant mount includes 66" (1,676mm) wires out of fixture and is intended to be mounted by 3/4 IP pendant (by others)
- See specific spec sheets for surface, j-box, hook and trunnion mount
- Low profile, lightweight design provides ease of installation
- Constructed of rugged die cast aluminum with integral, weathertight LED driver compartments and high performance heat sink
- Exclusive Colorfast DeltaGuard® finish features an E-Coat epoxy primer with an ultra-durable powder topcoat providing excellent resistance to corrosion, ultraviolet degradation and abrasion. Silver, black, bronze, platinum bronze and white are available

**ELECTRICAL SYSTEM**

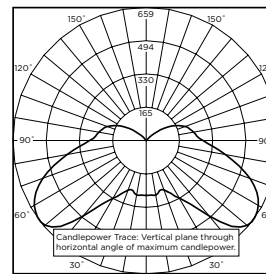
- **Input Voltage:** 120-277V, 347V, or 480V, 50 / 60Hz, Class 2 drivers
- **Power Factor:** > 0.9 at full load
- **Temperature Rating:** Designed to operate in temperatures -40°C to +40°C
- **Total Harmonic Distortion:** < 20% at full load
- Integral 6kV surge suppression protection standard
- To address inrush current, slow blow fuse or type C / D breaker should be used

**REGULATORY & VOLUNTARY QUALIFICATIONS**

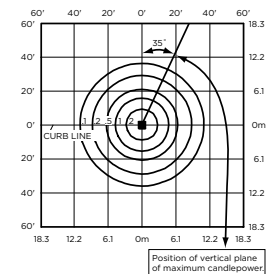
- cULus Listed
- Suitable for wet locations
- Suitable for operation in ambient not exceeding 40°C
- Enclosure rated IP66 per IEC 60529
- Product qualified on the DesignLights Consortium™ ("DLC") Qualified Products List ("QPL")
- 6kV surge suppression protection tested in accordance with IEEE / ANSI C62.41.2
- Meets Buy American requirements within ARRA

**Photometry**

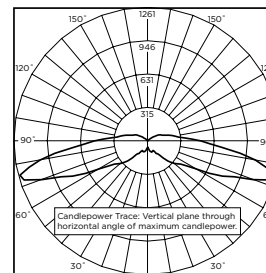
All published luminaire photometric testing performed to IESNA LM-79-08 standards by a NVLAP certified laboratory.



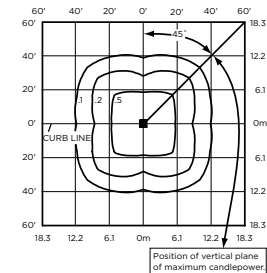
**ITL Test Report #:** 78019  
**VG-A\*\*-5M-A-40K-UL**  
**Initial Delivered Lumens:** 3,776



**VG-A\*\*-5M-A-40K-UL**  
**Mounting Height:** 10' (3.0m) A.F.G.  
**Initial Delivered Lumens:** 3,710  
**Initial FC at grade**



**CESTL Test Report #:** 2013-0219  
**VG-A\*\*-5W-A-40K-UL**  
**Initial Delivered Lumens:** 3,769



**VG-A\*\*-5W-A-40K-UL**  
**Mounting Height:** 10' (3.0m) A.F.G.  
**Initial Delivered Lumens:** 3,760  
**Initial FC at grade**

**Weight**

|                  |
|------------------|
| Weight           |
| 14.5 lbs (6.6kg) |

**Lumen Output, Electrical, and Lumen Maintenance Data**

| VG Vehicle Garage Luminaire |                                 |                                  |                                 |                                  |                          |                          |               |      |      |      |      |      |  |
|-----------------------------|---------------------------------|----------------------------------|---------------------------------|----------------------------------|--------------------------|--------------------------|---------------|------|------|------|------|------|--|
| Optic                       | 5700K                           |                                  | 4000K                           |                                  | System Watts<br>120-277V | System Watts<br>347-480V | TOTAL CURRENT |      |      |      |      |      | 50K Hours<br>Projected Lumen<br>Maintenance Factor<br>@ 15°C (59°F)*** |
|                             | Initial<br>Delivered<br>Lumens* | BUG<br>Ratings**<br>Per TM-15-11 | Initial<br>Delivered<br>Lumens* | BUG<br>Ratings**<br>Per TM-15-11 |                          |                          | 120V          | 208V | 240V | 277V | 347V | 480V |  |
| 5M                          | 3,820                           | B2 U4 G2                         | 3,710                           | B2 U4 G2                         | 50                       | 52                       | 0.43          | 0.25 | 0.22 | 0.19 | 0.15 | 0.11 | 91%  |
| 5W                          | 3,870                           | B2 U3 G3                         | 3,760                           | B2 U3 G3                         | 50                       | 52                       | 0.43          | 0.25 | 0.22 | 0.19 | 0.15 | 0.11 | 91%  |

\* Actual production yield may vary between -4 and +10% of initial delivered lumens  
 \*\* For more information on the IES BUG (Backlight-Uplight-Glare) Rating visit [www.iesna.org/PDF/Erratas/TM-15-11BugRatingsAddendum.pdf](http://www.iesna.org/PDF/Erratas/TM-15-11BugRatingsAddendum.pdf)  
 \*\*\* For recommended lumen maintenance factor data see TD-13. Calculated L70 based on 6,000 hours LM-80-08 testing; > 150,000 hours

