

COOPER LIGHTING - SURE-LITES®

Catalog #		Type
Project		
Comments		Date
Prepared by		

SPECIFICATION FEATURES

Construction

- All metal wire guard for exits or emergency units
- 0.177" (5mm) diameter 7 gauge steel round wire
- Non-reflective silver finish

- Hinged sides hook in place (except WGS-11 and WGS-20 which is not hinged)
- Screw eyes provided for mounting

Warranty

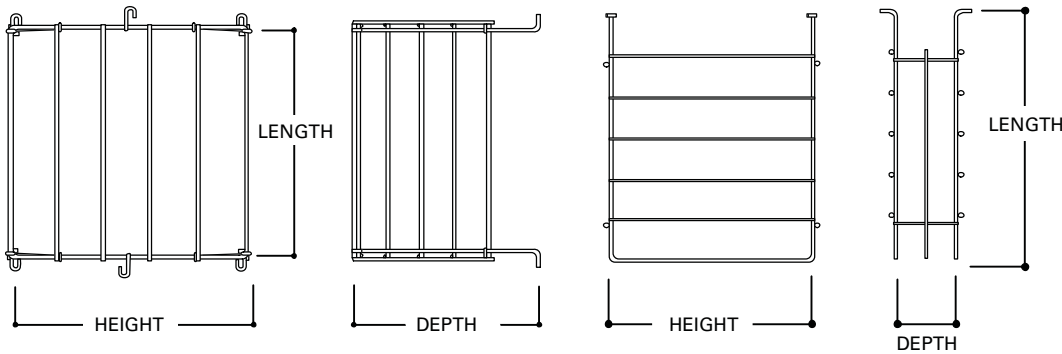
1 year



WIRE GUARDS

FIELD INSTALLED ACCESSORIES

EMERGENCY LIGHTING & EXIT LIGHTING



WG SERIES

WGS SERIES

ORDERING INFORMATION

Catalog No.	Length	Height	Depth	For use with
WG1	18" (457mm)	15" (381mm)	6" (152mm)	CC, CU-2, LM1, ST-1, AA, XR, UX (Single face, surface mount, wall)
WG2	18" (457mm)	15" (381mm)	10" (254mm)	CCX and UNH (with heads), UX (Double face)
WG3	23" (584mm)	20" (508mm)	12" (305mm)	HR180, HR12170, HR12210, HR12360, NCB45, NCB90, NCB110, NCB1290, NCB12180 Series
WG4	32" (812mm)	21" (533mm)	12" (305mm)	NCB12225 Series
WG7	16" (406mm)	16" (406mm)	9" (229mm)	P4C, RLM, RD, R4C, HR87, HR117, HR12117, UMB
WG8	8" (203mm)	8" (203mm)	8" (203mm)	Single Head Remotes
WG9	16" (406mm)	8" (203mm)	8" (203mm)	Double Head Remotes,
WG10	13 3/4" (349mm)	13 3/8" (340mm)	4 3/8" (111mm)	CX, EP, EPH, UNH, SLX, LPX, CAX-LED Series (Surface Mount Only)
WGS11	13 5/8" (346mm)	16 3/4" (425mm)	4" (102mm)	CX, EP, EPH, UNH, CCX, SLX, LPX, CAX Series, (End or Ceiling Mount only); UX (Single face, end or ceiling mount)
WG12	27 1/2" (698mm)	14" (356mm)	8" (203mm)	GC Series, LPX (with heads)
WG17	27 1/2" (698mm)	12" (305mm)	14 1/2" (368mm)	GC Series
WG19	21" (533mm)	15" (381mm)	6" (152mm)	CU-1 Series
WGS20	9" (229mm)	14" (356mm)	5" (127mm)	SLX, LPX, CX Non DH only (ceiling mount only)

TOTALLY PREDICTABLE
RELIABILITY