

DESCRIPTION

A lampholder designed for use with Halo Power-Trac that utilizes standard PAR and halogen PAR lamp technology. Front loading of the lamp allows ease of relamping. Available in white or black finish. For use with Halo and Lazer-by-Halo track systems. Well suited for accent lighting in commercial spaces, loft apartments, home offices and home theaters.

Catalog #	Type
Project	
Comments	
Prepared by	Date

SPECIFICATION FEATURES

A...Quick Lock Adapter

Polycarbonate casing. Attaches electrically and mechanically anywhere along Power-Trac. Visual polarity line assures proper grounding. Two position conductor allows use in single circuit and either circuit of two circuit track.

B...Arm

Yoke allows lampholder to rotate 338° horizontally and provides 0° to 90° vertical pivot for maximum aiming adjustability.

C...Lampholder Body

Formed metal housing provides light weight and optimal heat dissipation.

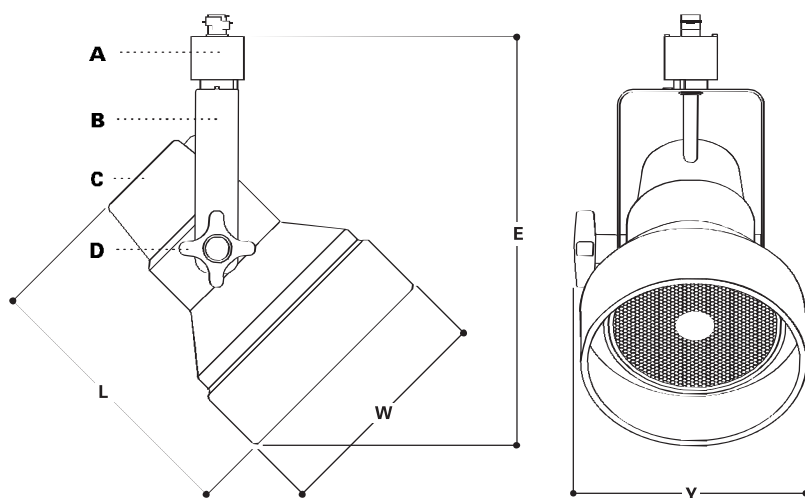
Available in three finishes—Satin White, Matte Black and Satin Metallic Silver.

D...Adjustment Knob

Large easy-to-use adjustment knob locks in aiming angles.

Labels

UL listed and CSA certified for use with Halo and Lazer-by-Halo track and track systems.



L1820



L1830

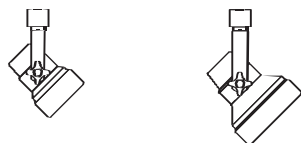
**PAR LAMP
STUDIO
LAMP HOLDERS**

Power-Trac

ORDERING INFORMATION

SAMPLE NUMBER: L1820P

Lampholders	Finishes	Accessories
<input type="text"/> L1820 L1830 L1838	<input type="text"/> P=Satin White MB=Satin Black SL=Satin Metallic Silver	<input type="text"/> See below



L1820

For use with: 50W PAR20
 W=3 1/4" [83mm]
 L =4 3/8" [111mm]
 E =7" [178mm]
 Y =4 3/16" [107mm]

L1830

For use with: 75W PAR30
 W=4 7/8" [124mm]
 L =5 1/4" [134mm]
 E =8 13/16" [224mm]
 Y =5" [127mm]

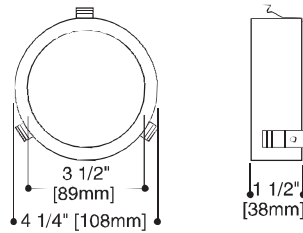
Accessories

L1976MB Barn Door Shutters - accepts 4 11/16" L200 Series Lenses and L275 Louver
 L252MB Media Holder accepts 3 3/4" L400 Series Lenses and L274 Louver

ACCESSORIES

L252 Accessory Holder

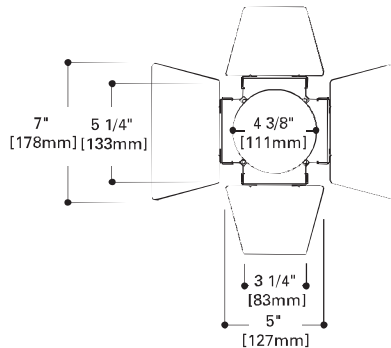
For use with L1830
Lampholder to hold L400
Series color filters and L274
louver.



L252 Media Holder

L1976MB Barn Door Shutters

For use with L1830
Lampholders to hold L200 color
filters and L275 louver.

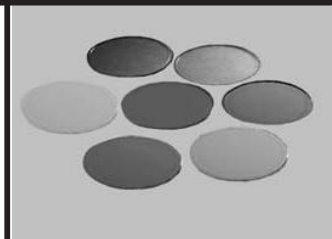
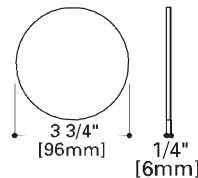


L1976MB Barn Doors

L200 Series Color Filters

Glass Filters 4 11/16" (119mm)
diameter. For use with L1830
with L1976MB Barn Doors.

- L211=Medium Pink Color Filter
- L212=Warm Red Color Filter
- L214=Ultraviolet Filter
- L220=Daylight Blue Color Filter
- L221=Medium Blue Color Filter
- L231=Medium Amber Color Filter
- L241=Medium Green Color Filter

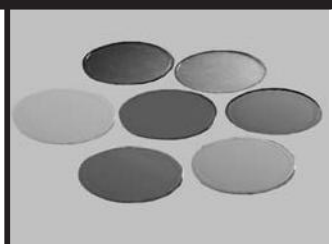
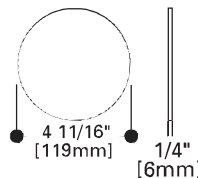


L200 Color Filters

L400 Series Color Filters

Glass Filters 3 3/4" (96mm)
diameter. For use with L1830
and L252 Media Holder.

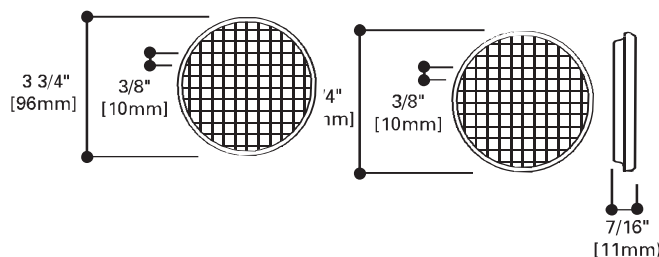
- L411=Medium Pink Color Filter
- L412=Warm Red Color Filter
- L414=Ultraviolet Filter
- L420=Daylight Blue Color Filter
- L421=Medium Blue Color Filter
- L431=Medium Amber Color Filter
- L441=Medium Green Color Filter



L400 Color Filters

L274 Cube Cell Louver

3 3/4" OD (96mm) . Black finish 1/2"
cells for directing light and
eliminating glare. For use with
L1830 and L252MB Media Holder.



Cube Louvers

L275 Cube Cell Louver

4 3/4" OD (121mm) . Black finish
1/2" cells for directing light and
eliminating glare. For use with
L1830 and L1976MB Barn Doors.

Note: Specifications and Dimensions subject to change without notice.

Visit our web site at www.cooperlighting.com