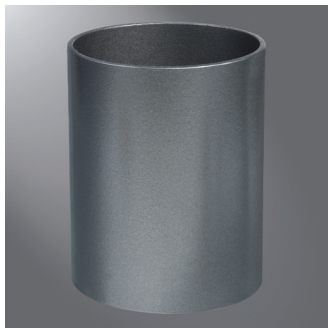


Steel Poles



RSS ROUND STRAIGHT STEEL

Catalog #		Type
Project		
Comments		Date
Prepared by		

FEATURES

- ASTM Grade steel base plate with ASTM A366 base cover
- Hand hole assembly 3" x 5" on 5" and 6" poles, 2" x 4" on 4" poles
- 10'-30' mounting heights
- Drilled or tenon (specify)

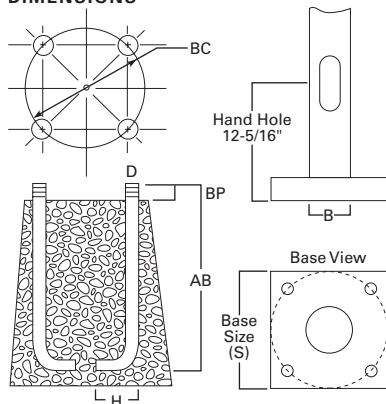
ORDERING INFORMATION

SAMPLE NUMBER: RSS4A20SF2XG

Product Family	Shaft Size (Inches) ¹	Wall Thickness (Inches)	Mounting Height (Feet)	Base Type	Finish	Mounting Type	Number and Location of Arms	Options (Add as Suffix)
RSS=Round Straight Steel	4=4" 5=5" 6=6"	A=0.120" M=0.188"	10=10' 15=15' 20=20' 25=25' 30=30'	S=Square Steel Base	F=Dark Bronze G=Galvanized Steel J=Summit White K=Carbon Bronze L=Dark Platinum P=Primer Powder Coat R=Hartford Green S=Silver T=Graphite Metallic V=Grey W=White X=Custom Color Y=Black	2=2-3/8" O.D. Tenon (4" Long) 3=3-1/2" O.D. Tenon (5" Long) 4=4" O.D. Tenon (6" Long) 5=3" O.D. Tenon (4" Long) 6=2-3/8" O.D. Tenon (6" Long) 7=4" O.D. Tenon (10" Long) A=Type A Drilling C=Type C Drilling E=Type E Drilling F=Type F Drilling G=Type G Drilling J=Type J Drilling K=Type K Drilling M=Type M Drilling R=Type R Drilling S=Standard Upsweep Arm Z=Type Z Drilling	1=Single 2=2 at 180° 3=Triple ² 4=4 at 90° 5=2 at 90° 6=3 at 90° 7=2 at 120° X=None	A=1/2" Tapped Hub (Specify location desired) B=3/4" Tapped Hub (Specify location desired) C=Convenience Outlet ³ E=GFCI Convenience Outlet ³ G=Ground Lug H=Additional Hand Hole ⁴ L=Drilled for Bumper Glitter V=Vibration Dampener

NOTES: 1. All shaft sizes nominal. 2. Square poles are 3 at 90°, round poles are 3 at 120°. 3. Outlet is located 4' above base and on same side of pole as hand hole, unless specified otherwise. Receptacle not included, provision only. 4. Additional hand hole is located 12" below pole top and 90° from standard hand hole location, unless otherwise specified.

DIMENSIONS



WARNING: Customer is responsible for engineering analysis to confirm pole and fixture compatibility for all applications. Refer to pole white paper WP513001EN for additional support information. Before installing, make sure proper anchor bolts and templates are obtained. The use of unauthorized accessories such as banners, signs, cameras or pennants for which the pole was not designed voids the pole warranty and may result in pole failure causing serious injury or property damage. Information regarding total loading capacity can be supplied upon request. The pole warranty is void unless poles are used and installed as a complete pole and luminaire combination. This warranty specifically excludes failure as the result of a third party act or omission, misuse, unanticipated uses, fatigue failure or similar phenomena resulting from induced vibration, harmonic oscillation or resonance associated with movement of air currents around the product.

Specifications and dimensions subject to change without notice. Consult your lighting representative at Eaton or visit www.eaton.com/lighting for available options, accessories and ordering information.

Effective Projected Area (At Pole Top)

Mounting Height (Feet)	Catalog Number ^{1,2}	Wall Thickness (Inches)	Base Square ³ (Inches)	Bolt Circle Diameter (Inches)	Anchor Bolt Projection ³ (Inches)	Shaft Size ³ (Inches)	Anchor Bolt Diameter x Length x Hook (Inches)	Net Weight (Pounds)	Maximum Effective Projected Area (Square Feet) ⁴				Max. Fixture Load - Includes Bracket (Pounds)
									80 mph	90 mph	100 mph	110 mph	
MH			S	BC	BP	B	D x AB x H		80 mph	90 mph	100 mph	110 mph	
10	RSS4A10S	0.120	10-1/2	11	4-1/2	4	3/4 x 25 x 3	73	21.0	16.0	12.7	10.5	100
15	RSS4A15S	0.120	10-1/2	11	4-1/2	4	3/4 x 25 x 3	97	11.2	8.3	6.4	5.1	100
20	RSS4A20S	0.120	10-1/2	11	4-1/2	4	3/4 x 25 x 3	122	5.8	3.9	2.7	2.0	150
20	RSS5M20S	0.188	10-1/2	11	4-1/2	5	3/4 x 25 x 3	216	17.0	13.0	10.4	8.4	150
25	RSS5M25S	0.188	10-1/2	11	4-1/2	5	3/4 x 25 x 3	264	11.0	8.5	6.5	5.2	200
30	RSS6M30S	0.188	12-1/2	12-1/2	5	6	1 x 36 x 4	394	14.0	10.7	8.4	6.7	200

Effective Projected Area (Two Feet Above Pole Top)

Mounting Height (Feet)	Catalog Number ^{1,2}	Wall Thickness (Inches)	Base Square ³ (Inches)	Bolt Circle Diameter (Inches)	Anchor Bolt Projection ³ (Inches)	Shaft Size ³ (Inches)	Anchor Bolt Diameter x Length x Hook (Inches)	Net Weight (Pounds)	Maximum Effective Projected Area (Square Feet) ⁴				Max. Fixture Load - Includes Bracket (Pounds)
									80 mph	90 mph	100 mph	110 mph	
MH			S	BC	BP	B	D x AB x H		80 mph	90 mph	100 mph	110 mph	
10	RSS4A10S	0.120	10-1/2	11	4-1/2	4	3/4 x 25 x 3	73	16.7	13.0	10.4	8.5	100
15	RSS4A15S	0.120	10-1/2	11	4-1/2	4	3/4 x 25 x 3	97	9.8	7.2	5.6	4.4	100
20	RSS4A20S	0.120	10-1/2	11	4-1/2	4	3/4 x 25 x 3	122	5.3	3.5	2.4	1.8	150
20	RSS5M20S	0.188	10-1/2	11	4-1/2	5	3/4 x 25 x 3	216	15.0	11.7	9.2	7.5	150
25	RSS5M25S	0.188	10-1/2	11	4-1/2	5	3/4 x 25 x 3	264	10.2	7.8	6.0	4.8	200
30	RSS6M30S	0.188	12-1/2	12-1/2	5	6	1 x 36 x 4	394	13.1	10.0	7.8	5.9	200

NOTES:

- Catalog number includes pole with hardware kit. Anchor bolts not included. Before installing, make sure proper anchor bolts and templates are obtained.
- Tenon size or machining for rectangular arms must be specified. Hand hole position relative to drill location.
- Shaft size, base square, anchor bolts and projections may vary slightly. All dimensions nominal.
- EPAs based on shaft properties with wind normal to flat. EPAs calculated using base wind velocity as indicated plus 30% gust factor.