

## DESCRIPTION

SNLED Lensed is a narrow LED lensed striplight series. This high quality luminaire is dedicated to the latest solid state lighting and electronic driver technology for optimal performance and energy efficiency. This Lensed product is available with three different lens types.

The small size of the SNLED makes it an ideal choice for size restricted architectural applications. The SNLED Series can be the illumination solution in commercial, industrial, retail and residential applications. Fixtures can be used in storage/utility areas, coves, display cases, shops, task and general area lighting.

## SPECIFICATION FEATURES

### Construction

Channel is die formed cold rolled steel with numerous KOs for ease of installation. Groove for Tong Hanger. End plate quickly converts to snap-in channel connector for continuous row alignment. Channel/wireway cover secured with sheet metal screws.

### Controls

Equipped standard with a 0-10V continuous dimming driver that works with any standard 0-10V control/dimmer. Dimming range is 10% to 100%; varies by control device. Combine with energy-saving products like occupancy sensors, day lighting controls, and lighting relay panels from Cooper Controls ([www.coopercontrol.com](http://www.coopercontrol.com)) to maximize energy savings. For motion control, reference options for both end and middle of the row applications.

### Electrical

Long-Life LED system coupled with electronic (120-277V) driver to deliver optimal lighting performance. LED's available in 3000K, 3500K, 4000K, or 5000K with a CRI ≥ 85. Other color temperatures are available. Projected life is 60,000 hours at 70% lumen output. This driver is 0-10V dimming standard.

### Finish

Multistage iron phosphate pretreatment ensures maximum bonding and rust inhibitor. High reflective paint after fabrication, baked white enamel finish is standard.

### Channel/Wireway Cover

Die formed heavy gauge steel. Tight fit for ease of maintenance.

Catalog #		Type
Project		
Comments		Date
Prepared by		

### Shielding

Offers three different lensed optical distributions. (LC) Clear with linear optical ribs. (LN) Semi-frost for narrow distribution. (LW) Full frost for wide distribution.

### Installation

Fixture may be surface, pendant, or stem mounted. See accessories below in ordering information.

### Compliance

Components are UL recognized. Indoor luminaires are cULus listed for 40° C ambient environments, RoHS compliant, and comply with IESNA LM-79. LEDs comply with LM-80 standards. DesignLights Consortium® pending. Refer to [www.designlights.org](http://www.designlights.org) Qualified Products List under Family Models for details.

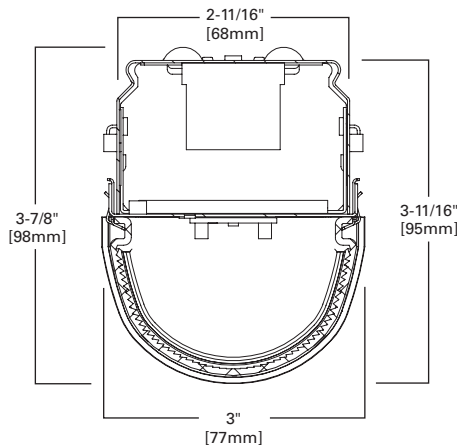
### Warranty

Five-year warranty.

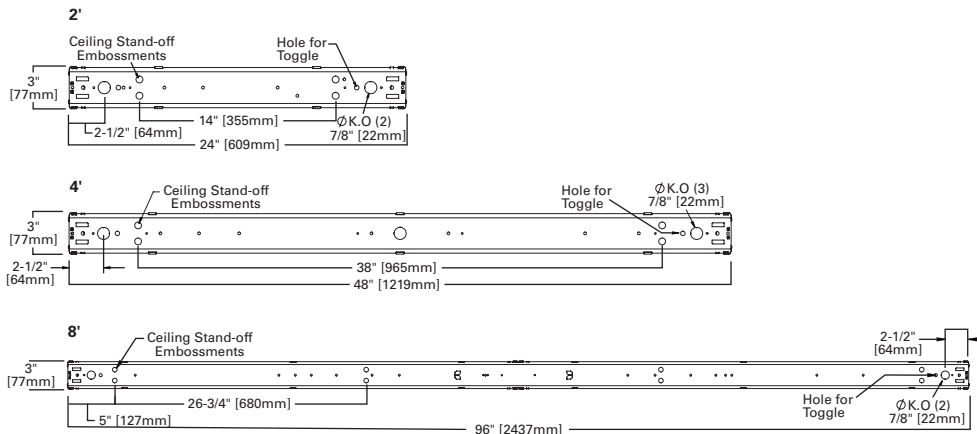


## SNLED LENSED LED

Lensed LED Striplight



## MOUNTING DATA



SNLED Type	Stock / MTO	Lumen Type	Length	Catalog Logic	Nominal Lumens	Wattage	lm/W
Clear Lens (LC)	MTO	Standard	2 ft.	2SNLED-LD4-18SL-LC-UNV-L8XX-CD1-U	1907	17.13	105
Clear Lens (LC)	MTO	Standard	2 ft.	2SNLED-LD4-22SL-LC-UNV-L8XX-CD1-U	2325	21.7	101
Clear Lens (LC)	MTO	Standard	2 ft.	2SNLED-LD4-26SL-LC-UNV-L8XX-CD1-U	2712	23.18	112

Clear Lens (LC)	MTO	Standard	4 ft.	4SNLED-LD4-18SL-LC-UNV-L8XX-CD1-U	2038	16.21	111
Clear Lens (LC)	MTO	Standard	4 ft.	4SNLED-LD4-22SL-LC-UNV-L8XX-CD1-U	2301	18.37	120
Clear Lens (LC)	Stock	Standard	4 ft.	4SNLED-LD4-26SL-LC-UNV-L8XX-CD1-U	2688	21.68	120
Clear Lens (LC)	Stock	Standard	4 ft.	4SNLED-LD4-30SL-LC-UNV-L8XX-CD1-U	3061	25.07	120
Clear Lens (LC)	MTO	Standard	4 ft.	4SNLED-LD4-34SL-LC-UNV-L8XX-CD1-U	3431	28.43	120
Clear Lens (LC)	MTO	Standard	4 ft.	4SNLED-LD4-37SL-LC-UNV-L8XX-CD1-U	3822	32.32	114
Clear Lens (LC)	MTO	Standard	4 ft.	4SNLED-LD4-41SL-LC-UNV-L8XX-CD1-U	4233	36.64	112
Clear Lens (LC)	Stock	Standard	4 ft.	4SNLED-LD4-46SL-LC-UNV-L8XX-CD1-U	4615	41.03	112
Clear Lens (LC)	MTO	Standard	4 ft.	4SNLED-LD4-49SL-LC-UNV-L8XX-CD1-U	4994	45.66	107
Clear Lens (LC)	MTO	Standard	4 ft.	4SNLED-LD4-52SL-LC-UNV-L8XX-CD1-U	5357	50.15	104
Clear Lens (LC)	MTO	Standard	4 ft.	4SNLED-LD4-56SL-LC-UNV-L8XX-CD1-U	5714	56.3	99
Clear Lens (LC)	MTO	High	4 ft.	4SNLED-LD4-60HL-LC-UNV-L8XX-CD1-U	6115	50.71	118

Clear Lens (LC)	MTO	Standard	8 ft.	8TSNLED-LD4-60SL-LC-UNV-L8XX-CD1-U	6122	50.14	120
Clear Lens (LC)	MTO	Standard	8 ft.	8TSNLED-LD4-68SL-LC-UNV-L8XX-CD1-U	6863	56.86	120
Clear Lens (LC)	Stock	Standard	8 ft.	8TSNLED-LD4-75SL-LC-UNV-L8XX-CD1-U	7643	64.64	116
Clear Lens (LC)	Stock	Standard	8 ft.	8TSNLED-LD4-83SL-LC-UNV-L8XX-CD1-U	8466	73.28	113
Clear Lens (LC)	MTO	Standard	8 ft.	8TSNLED-LD4-90SL-LC-UNV-L8XX-CD2-U	9230	82.06	110
Clear Lens (LC)	MTO	Standard	8 ft.	8TSNLED-LD4-98SL-LC-UNV-L8XX-CD2-U	9988	91.32	107
Clear Lens (LC)	MTO	Standard	8 ft.	8TSNLED-LD4-105SL-LC-UNV-L8XX-CD2-U	10714	100.3	105

SNLED Type	Stock / MTO	Lumen Type	Length	Catalog Logic	Nominal Lumens	Wattage	lm/W
Semi-Frost Lens (LN)	MTO	Standard	2 ft.	2SNLED-LD4-18SL-LN-UNV-L8XX-CD1-U	1901	17	105
Semi-Frost Lens (LN)	MTO	Standard	2 ft.	2SNLED-LD4-22SL-LN-UNV-L8XX-CD1-U	2318	22	101
Semi-Frost Lens (LN)	MTO	Standard	2 ft.	2SNLED-LD4-26SL-LN-UNV-L8XX-CD1-U	2704	23	116

Semi-Frost Lens (LN)	MTO	Standard	4 ft.	4SNLED-LD4-18SL-LN-UNV-L8XX-CD1-U	2032	16	111
Semi-Frost Lens (LN)	MTO	Standard	4 ft.	4SNLED-LD4-22SL-LN-UNV-L8XX-CD1-U	2294	18	120
Semi-Frost Lens (LN)	Stock	Standard	4 ft.	4SNLED-LD4-26SL-LN-UNV-L8XX-CD1-U	2680	22	120
Semi-Frost Lens (LN)	Stock	Standard	4 ft.	4SNLED-LD4-30SL-LN-UNV-L8XX-CD1-U	3052	25	120
Semi-Frost Lens (LN)	MTO	Standard	4 ft.	4SNLED-LD4-34SL-LN-UNV-L8XX-CD1-U	3421	28	120
Semi-Frost Lens (LN)	MTO	Standard	4 ft.	4SNLED-LD4-37SL-LN-UNV-L8XX-CD1-U	3810	32	114
Semi-Frost Lens (LN)	MTO	Standard	4 ft.	4SNLED-LD4-41SL-LN-UNV-L8XX-CD1-U	4220	37	112
Semi-Frost Lens (LN)	Stock	Standard	4 ft.	4SNLED-LD4-46SL-LN-UNV-L8XX-CD1-U	4601	41	112
Semi-Frost Lens (LN)	MTO	Standard	4 ft.	4SNLED-LD4-49SL-LN-UNV-L8XX-CD1-U	4979	46	107
Semi-Frost Lens (LN)	MTO	Standard	4 ft.	4SNLED-LD4-53SL-LN-UNV-L8XX-CD1-U	5341	50	106
Semi-Frost Lens (LN)	MTO	Standard	4 ft.	4SNLED-LD4-56SL-LN-UNV-L8XX-CD1-U	5697	56	99
Semi-Frost Lens (LN)	MTO	High	4 ft.	4SNLED-LD4-60HL-LN-UNV-L8XX-CD1-U	6096	51	118

Semi-Frost Lens (LN)	MTO	Standard	8 ft.	8TSNLED-LD4-60SL-LN-UNV-L8XX-CD1-U	6103	50	120
Semi-Frost Lens (LN)	MTO	Standard	8 ft.	8TSNLED-LD4-68SL-LN-UNV-L8XX-CD1-U	6842	57	120
Semi-Frost Lens (LN)	Stock	Standard	8 ft.	8TSNLED-LD4-75SL-LN-UNV-L8XX-CD1-U	7620	65	116
Semi-Frost Lens (LN)	Stock	Standard	8 ft.	8TSNLED-LD4-83SL-LN-UNV-L8XX-CD1-U	8441	73	113
Semi-Frost Lens (LN)	MTO	Standard	8 ft.	8TSNLED-LD4-91SL-LN-UNV-L8XX-CD2-U	9202	82	111
Semi-Frost Lens (LN)	MTO	Standard	8 ft.	8TSNLED-LD4-98SL-LN-UNV-L8XX-CD2-U	9958	91	107
Semi-Frost Lens (LN)	MTO	Standard	8 ft.	8TSNLED-LD4-106SL-LN-UNV-L8XX-CD2-U	10681	100	106

## WATTAGE

SNLED Type	Stock / MTO	Lumen Type	Length	Catalog Logic	Nominal Lumens	Wattage	lm/W
Full Frost Lens (LW)	MTO	Standard	2 ft.	2SNLED-LD4-16SL-LW-UNV-L8XX-CD1-U	1702	17.13	99
Full Frost Lens (LW)	MTO	Standard	2 ft.	2SNLED-LD4-20SL-LW-UNV-L8XX-CD1-U	2075	21.7	92
Full Frost Lens (LW)	MTO	Standard	2 ft.	2SNLED-LD4-23SL-LW-UNV-L8XX-CD1-U	2421	23.18	104
Full Frost Lens (LW)	MTO	Standard	4 ft.	4SNLED-LD4-16SL-LW-UNV-L8XX-CD1-U	1819	16.21	111
Full Frost Lens (LW)	MTO	Standard	4 ft.	4SNLED-LD4-20SL-LW-UNV-L8XX-CD1-U	2054	18.37	109
Full Frost Lens (LW)	Stock	Standard	4 ft.	4SNLED-LD4-23SL-LW-UNV-L8XX-CD1-U	2399	21.68	111
Full Frost Lens (LW)	Stock	Standard	4 ft.	4SNLED-LD4-27SL-LW-UNV-L8XX-CD1-U	2732	25.07	108
Full Frost Lens (LW)	MTO	Standard	4 ft.	4SNLED-LD4-30SL-LW-UNV-L8XX-CD1-U	3062	28.43	106
Full Frost Lens (LW)	MTO	Standard	4 ft.	4SNLED-LD4-33SL-LW-UNV-L8XX-CD1-U	3411	32.32	105
Full Frost Lens (LW)	MTO	Standard	4 ft.	4SNLED-LD4-37SL-LW-UNV-L8XX-CD1-U	3778	36.64	101
Full Frost Lens (LW)	Stock	Standard	4 ft.	4SNLED-LD4-41SL-LW-UNV-L8XX-CD1-U	4119	41.03	100
Full Frost Lens (LW)	MTO	Standard	4 ft.	4SNLED-LD4-44SL-LW-UNV-L8XX-CD1-U	4457	45.66	96
Full Frost Lens (LW)	MTO	Standard	4 ft.	4SNLED-LD4-47SL-LW-UNV-L8XX-CD1-U	4781	50.15	94
Full Frost Lens (LW)	MTO	Standard	4 ft.	4SNLED-LD4-50SL-LW-UNV-L8XX-CD1-U	5100	56.3	89
Full Frost Lens (LW)	MTO	High	4 ft.	4SNLED-LD4-54HL-LW-UNV-L8XX-CD1-U	5458	50.71	106
Full Frost Lens (LW)	MTO	Standard	8 ft.	8TSNLED-LD4-54SL-LW-UNV-L8XX-CD1-U	5464	50.14	108
Full Frost Lens (LW)	MTO	Standard	8 ft.	8TSNLED-LD4-61SL-LW-UNV-L8XX-CD1-U	6125	56.86	107
Full Frost Lens (LW)	Stock	Standard	8 ft.	8TSNLED-LD4-67SL-LW-UNV-L8XX-CD1-U	6822	64.64	104
Full Frost Lens (LW)	Stock	Standard	8 ft.	8TSNLED-LD4-74SL-LW-UNV-L8XX-CD1-U	7556	73.28	101
Full Frost Lens (LW)	MTO	Standard	8 ft.	8TSNLED-LD4-81SL-LW-UNV-L8XX-CD2-U	8238	82.06	99
Full Frost Lens (LW)	MTO	Standard	8 ft.	8TSNLED-LD4-88SL-LW-UNV-L8XX-CD2-U	8915	91.32	96
Full Frost Lens (LW)	MTO	Standard	8 ft.	8TSNLED-LD4-95SL-LW-UNV-L8XX-CD2-U	9562	100.3	95

## PHOTOMETRICS

See website for IES/photometric files

## LUMEN MAINTENANCE

Ambient Temperature	TM-21 Lumen Maintenance (12,000 hours)	Theoretical L70 (Hours)
25°C	92.55%	303,000

Max Ambient temp in compliance with CSA: 40°C

ORDERING INFORMATION

SAMPLE NUMBER: 4SNLED-LD4-46SL-LN-UNV-L835-CD1-U

<p>2=2' Length 4=4' Length 8T=8' Length</p>	<p><b>Optic</b> LC=Clear Lens LN=Semi-Frost Lens - Narrow LW=Full Frost Lens - Wide</p>	<p><b>Driver Type</b> CD=0-10V Dimming Driver SD=Step-dim (Bi Level) 5LTD=Fifth Light (DALI) Driver<sup>(6)</sup></p>	<p><b>Packaging</b> U=Unit Pack</p>																																																													
<p><b>Series</b> SNLED=Commercial LED Striplight</p>	<p><b>Voltage</b> UNV=Universal Voltage 120-277 347=347V<sup>(4)</sup> 480=480V<sup>(4)</sup></p>	<p><b>Number of Drivers</b> 1=1 Driver 2=2 Drivers</p>																																																														
<p><b>Lamp Type</b> LD4=LED 4.0</p>	<p><b>Options</b> <b>Emergency</b> EL=Emergency Installed, 700 Lumens<sup>(7), (8)</sup> EL10W=Emergency Installed, 10 Watts<sup>(9)</sup> <b>Wiring</b> PI/CPI=Plug-in Option <b>Motion Sensors</b> SA-ERMS=Stairwell/Aisle Motion Sensor - End of Row LB-ERMS360=360° Low Bay Motion Sensor - End of Row LB-MRMS360=360° Low Bay Motion Sensor - Middle of Row HB-ERMS360=360° High Bay Motion Sensor - End of Row<sup>(5)</sup> HB-MRMS360=360° High Bay Motion Sensor - Middle of Row<sup>(5)</sup> <b>CCT</b> L830=3000K L835=3500K L840=4000K L850=5000K</p>	<p><b>ACCESSORIES</b> (Order Separately) AYC-Chain/Set=36" Chain Hanger (Use 1 set per fixture) SCF=Fixed Stem Set (Specify Length) SCS=Swivel Stem Set (Specify Length) SCA=Adjustable 48" Stem Set EYE CHAIN SET/3FT=Eye Bolt Chain (Use 1 set per fixture) A1B/Spacer-U=Spacer 1-1/2" to 2-1/2" from ceiling (Use 2 per fixture) TOGGLE=Single Toggle No. 2 (Specify Length) Y-TOGGLE=Y Toggle No. 2 (Specify Length)</p>																																																														
<p><b>LED Lumens Output</b><sup>(2)</sup></p> <table border="1"> <thead> <tr> <th>Stocked Lumen Packages - LC<sup>(12)</sup></th> <th>Stocked Lumen Packages - LN<sup>(12)</sup></th> <th>Stocked Lumen Packages - LW<sup>(12)</sup></th> </tr> </thead> <tbody> <tr><td>26SL=2600<sup>(11)</sup></td><td>26SL=2600<sup>(11)</sup></td><td>23SL=2300<sup>(11)</sup></td></tr> <tr><td>30SL=3000</td><td>30SL=3000</td><td>27SL=2700</td></tr> <tr><td>46SL=4600</td><td>46SL=4600</td><td>41SL=4100</td></tr> <tr><td>75SL=7500</td><td>75SL=7500</td><td>67SL=6700</td></tr> <tr><td>83SL=8300</td><td>83SL=8300</td><td>74SL=7400</td></tr> </tbody> </table> <table border="1"> <thead> <tr> <th>MTO Lumen Packages - LC</th> <th>MTO Lumen Packages - LN</th> <th>MTO Lumen Packages - LW</th> </tr> </thead> <tbody> <tr><td>18SL=1800<sup>(11)</sup></td><td>18SL=1800<sup>(11)</sup></td><td>16SL=1600<sup>(11)</sup></td></tr> <tr><td>22SL=2200<sup>(11)</sup></td><td>22SL=2200<sup>(11)</sup></td><td>20SL=2000<sup>(11)</sup></td></tr> <tr><td>34SL=3400</td><td>34SL=3400</td><td>30SL=3000</td></tr> <tr><td>37SL=3700</td><td>37SL=3700</td><td>33SL=3300</td></tr> <tr><td>41SL=4100</td><td>41SL=4100</td><td>37SL=3700</td></tr> <tr><td>49SL=4900</td><td>49SL=4900</td><td>44SL=4400</td></tr> <tr><td>52SL=5200</td><td>53SL=5300</td><td>47SL=4700</td></tr> <tr><td>56SL=5600</td><td>56SL=5600</td><td>50SL=5000</td></tr> <tr><td>60SL=6000</td><td>60SL=6000</td><td>54SL=5400</td></tr> <tr><td>60HL=6000<sup>(11)</sup></td><td>60HL=6000<sup>(11)</sup></td><td>54HL=5400<sup>(11)</sup></td></tr> <tr><td>68SL=6800</td><td>68SL=6800</td><td>61SL=6100</td></tr> <tr><td>90SL=9000<sup>(3)</sup></td><td>91SL=9100<sup>(3)</sup></td><td>81SL=8100<sup>(3)</sup></td></tr> <tr><td>98SL=9800<sup>(3)</sup></td><td>98SL=9800<sup>(3)</sup></td><td>88SL=8800<sup>(3)</sup></td></tr> <tr><td>105SL=10,500<sup>(3)</sup></td><td>106SL=10,600<sup>(3)</sup></td><td>95SL=9500<sup>(3)</sup></td></tr> </tbody> </table>	Stocked Lumen Packages - LC <sup>(12)</sup>	Stocked Lumen Packages - LN <sup>(12)</sup>	Stocked Lumen Packages - LW <sup>(12)</sup>	26SL=2600 <sup>(11)</sup>	26SL=2600 <sup>(11)</sup>	23SL=2300 <sup>(11)</sup>	30SL=3000	30SL=3000	27SL=2700	46SL=4600	46SL=4600	41SL=4100	75SL=7500	75SL=7500	67SL=6700	83SL=8300	83SL=8300	74SL=7400	MTO Lumen Packages - LC	MTO Lumen Packages - LN	MTO Lumen Packages - LW	18SL=1800 <sup>(11)</sup>	18SL=1800 <sup>(11)</sup>	16SL=1600 <sup>(11)</sup>	22SL=2200 <sup>(11)</sup>	22SL=2200 <sup>(11)</sup>	20SL=2000 <sup>(11)</sup>	34SL=3400	34SL=3400	30SL=3000	37SL=3700	37SL=3700	33SL=3300	41SL=4100	41SL=4100	37SL=3700	49SL=4900	49SL=4900	44SL=4400	52SL=5200	53SL=5300	47SL=4700	56SL=5600	56SL=5600	50SL=5000	60SL=6000	60SL=6000	54SL=5400	60HL=6000 <sup>(11)</sup>	60HL=6000 <sup>(11)</sup>	54HL=5400 <sup>(11)</sup>	68SL=6800	68SL=6800	61SL=6100	90SL=9000 <sup>(3)</sup>	91SL=9100 <sup>(3)</sup>	81SL=8100 <sup>(3)</sup>	98SL=9800 <sup>(3)</sup>	98SL=9800 <sup>(3)</sup>	88SL=8800 <sup>(3)</sup>	105SL=10,500 <sup>(3)</sup>	106SL=10,600 <sup>(3)</sup>	95SL=9500 <sup>(3)</sup>	
Stocked Lumen Packages - LC <sup>(12)</sup>	Stocked Lumen Packages - LN <sup>(12)</sup>	Stocked Lumen Packages - LW <sup>(12)</sup>																																																														
26SL=2600 <sup>(11)</sup>	26SL=2600 <sup>(11)</sup>	23SL=2300 <sup>(11)</sup>																																																														
30SL=3000	30SL=3000	27SL=2700																																																														
46SL=4600	46SL=4600	41SL=4100																																																														
75SL=7500	75SL=7500	67SL=6700																																																														
83SL=8300	83SL=8300	74SL=7400																																																														
MTO Lumen Packages - LC	MTO Lumen Packages - LN	MTO Lumen Packages - LW																																																														
18SL=1800 <sup>(11)</sup>	18SL=1800 <sup>(11)</sup>	16SL=1600 <sup>(11)</sup>																																																														
22SL=2200 <sup>(11)</sup>	22SL=2200 <sup>(11)</sup>	20SL=2000 <sup>(11)</sup>																																																														
34SL=3400	34SL=3400	30SL=3000																																																														
37SL=3700	37SL=3700	33SL=3300																																																														
41SL=4100	41SL=4100	37SL=3700																																																														
49SL=4900	49SL=4900	44SL=4400																																																														
52SL=5200	53SL=5300	47SL=4700																																																														
56SL=5600	56SL=5600	50SL=5000																																																														
60SL=6000	60SL=6000	54SL=5400																																																														
60HL=6000 <sup>(11)</sup>	60HL=6000 <sup>(11)</sup>	54HL=5400 <sup>(11)</sup>																																																														
68SL=6800	68SL=6800	61SL=6100																																																														
90SL=9000 <sup>(3)</sup>	91SL=9100 <sup>(3)</sup>	81SL=8100 <sup>(3)</sup>																																																														
98SL=9800 <sup>(3)</sup>	98SL=9800 <sup>(3)</sup>	88SL=8800 <sup>(3)</sup>																																																														
105SL=10,500 <sup>(3)</sup>	106SL=10,600 <sup>(3)</sup>	95SL=9500 <sup>(3)</sup>																																																														

NOTES: <sup>(1)</sup> 4 ft. only, <sup>(2)</sup> Nominal lumen values, <sup>(3)</sup> Two driver required, <sup>(4)</sup> 4 ft. and 8 ft. only, <sup>(5)</sup> Motion Sensor offers dimmability, <sup>(6)</sup> For a complete listing of Fifth Light Technology products and other solutions from Cooper Controls, visit www.coopercontrol.com, <sup>(7)</sup> EL options are integral, <sup>(8)</sup> Must specify voltage (120V or 277V) when selecting EL option, <sup>(9)</sup> For delivered lumens, take lumens per watt of desired fixture and multiply by 10 watts (100 lp/W x 10 = 1000 lumens delivered), <sup>(10)</sup> 2 ft. only, <sup>(11)</sup> 2 ft. and 4 ft. only, <sup>(12)</sup> Stocked by mid April 2015.

Specifications & dimensions subject to change without notice. Consult your Cooper Lighting Representative for availability and ordering information.

SHIPPING DATA

Length.	Wt.
2 ft.	4.3 lbs.
4 ft.	8.2 lbs.
8 ft.	15.1 lbs.