

DESCRIPTION

A series of decorative trim accessories to be used with 6" and 7" Portfolio downlight reflectors. These elements may be installed with any Incandescent, LED, Compact Fluorescent or HID Housing. The matte white flange replaces the existing polymer trim ring and is clamped directly to the recessed plaster frame, providing a secure mounting. Not for use with self-flanged reflectors. The glass disc removes without tools via four decorative knobs for easy relamping from below.

Catalog #		Type
Project		
Comments		Date
Prepared By		

SPECIFICATION FEATURES

Decorative Trim

Cut and polished glass disc with etched center for diffusing light.

Stems

Four, satin finish aluminum posts and decorative knobs and anodized clear to retain appearance over life.

Mounting Flange

Precision die-formed steel with matte white finish, matches metal trim rings in the Portfolio family. Four steel threaded studs support weight of decorative element. Four hex head bolts tighten the flange securely and quickly to the recessed die cast plaster flange via pre-installed mounting hardware. For use in ceilings up to 2" thick.

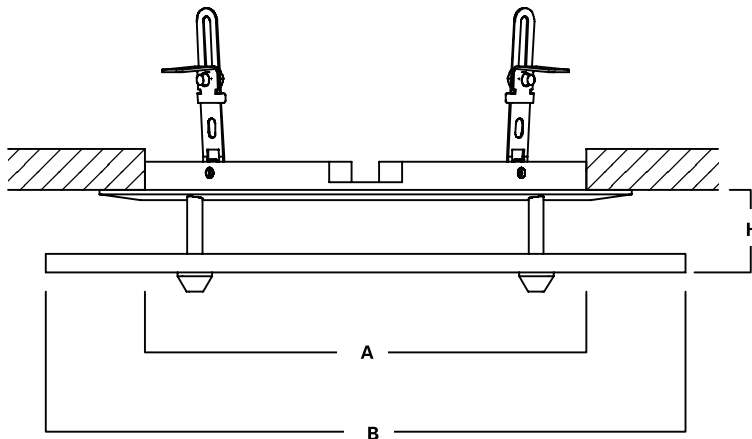
Labels

UL listed, C.S.A. certified, IBEW union made. To be used with Portfolio Product only, other installations will void warranty.



DT-6-DISC
DTC-6-DISC
DT-7-DISC

Frosted Disc
Decorative Trim



	A	B	H
DT6"	6-1/8" [156mm]	8-3/4" [156mm]	1-1/8" [29mm]
DTC6"	6-11/16" [170mm]	9-3/8" [239mm]	1-1/16" [27mm]
DT7"	7-3/4" [197mm]	10-3/8" [264mm]	1-1/8" [29mm]

ORDERING INFORMATION

SAMPLE NUMBER: DT-6-DISC

Complete unit consists of housing and trim.

Size

Style

DT-6=6" for 5-5/8" aperture
DTC-6=6" for 6-3/8" compact fluorescent
DT-7=7" for 7-3/8" aperture

DISC=Etched Glass Disc