

# COOPER LIGHTING - ALL-PRO™

## DESCRIPTION

The ALL-PRO™ LED Area and Wall Light with Dusk-to-Dawn photocontrol incorporates sustainable LED technology into a reliable security solution that provides nighttime ON and daytime OFF settings. This fixture provides the same area coverage as standard 65W CFL, 100W mercury vapor and 200W incandescent area lights while achieving substantial energy and maintenance savings. Perfect for illuminating large areas like barns, side roads and pathways.

<b>Catalog #</b>		<b>Type</b>
<b>Project</b>		
<b>Comments</b>		<b>Date</b>
<b>Prepared by</b>		

## SPECIFICATION FEATURES

### Construction

- Durable die-cast aluminum housing suitable for wet locations
- Powder coated aluminum reflector for maximum LED light output
- UV stable polycarbonate lens
- Available in bronze or gray finish
- Suitable for wall or pole mount applications
- Fits 1-5/8 in. outer diameter pole mounting arm

### Electrical

- Maintenance-free LEDs with L70 35,000 hours of life
- Fixture operating temperature range from -30°C to 40°C
- NEMA 120VAC twist-lock photocontrol included
- Driver operates with input voltage of 120-277VAC 50/60Hz. Photocontrol must be changed to operate at voltage other than 120VAC.

- UL listed for wet locations
- External supply wiring 90°C minimum

### Optics

- Precision optics for maximum efficiency
- 5000K color temperature perfect for security applications

### Warranty

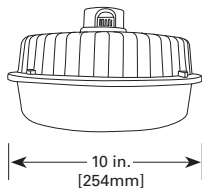
- 2 year limited warranty



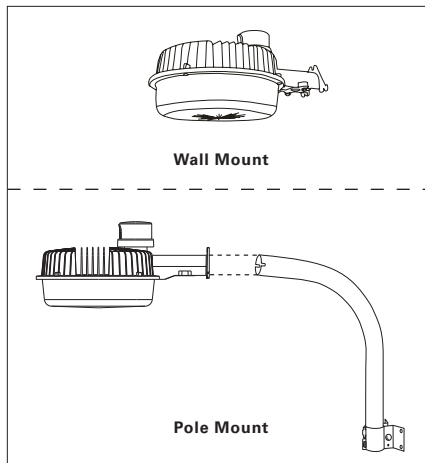
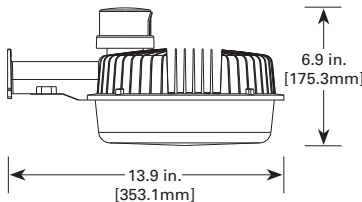
## LED AREA AND WALL LIGHT

## DIMENSIONS

### Front View



### Side View



Innovation you can rely on™

Sustainable Design

### CERTIFICATION DATA

UL Wet Location Listed  
Lighting Facts® Approved

### TECHNICAL DATA

-30°C to 40°C Temperature Rating  
External Supply Wiring 90° Minimum  
Wall and Pole Mount

## ORDERING INFORMATION

Sample Number: AL2050LPCBZ

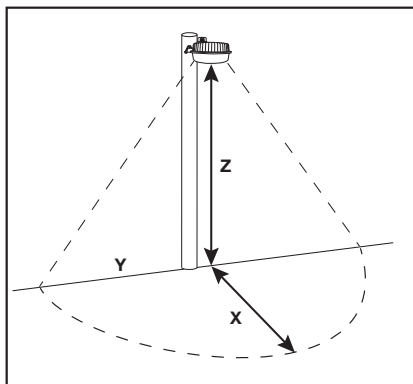
<input type="text"/>	<input type="text"/>	<input type="text"/>	<input type="text"/>	<input type="text"/>	<input type="text"/>	<input type="text"/>
<b>Application</b> AL = Area Light	<b>Series</b> 20	<b>Color Temperature</b> 50 = 5000K	<b>Lamp Type</b> L = LED	<b>Options</b> PC = Photocontrol	<b>Housing Color</b> BZ = Bronze GY = Gray	

Notes: <sup>1</sup>Order as separate line item.

### Accessories<sup>1</sup>

EA24 = Mounting arm for pole mount

## PHOTOMETRICS



Mounting Height (Z)	Forward Throw (X)	Wall Spread (Y)
10 ft.	26 ft.	52 ft.
12 ft.	25 ft.	56 ft.
15 ft.	25 ft.	50 ft.

Note: Distance is measured at 0.25 footcandles isoline. See IES files for specific photometrics results.

## Technical Information

		Voltage (V)	Power (W)	Delivered Lumens	Efficacy (Lum/Watt)	LED Color Temperature (K)	CRI
LED Area and Wall Light	Bronze	120	42	2480	59	5000	70
	Gray	120	42	2620	62	5000	70

## Energy and Maintenance Savings

Savings	LED	65W Compact Fluorescent	100W Mercury Vapor	200W Incandescent
Input power <sup>1</sup>	42W	83W	129W	200W
Total energy costs	\$176	\$348	\$542	\$840
Energy savings <sup>2</sup>	No cost	\$172	\$365	\$663
Maintenance savings <sup>3</sup>	No cost	\$200	\$90	\$1,120
Total Savings	No cost	\$372	\$455	\$1,765

<sup>1</sup>Adjusted with ballast loss

<sup>2</sup>Savings based on operating 10hrs, 365 days @ \$0.12/kW-hr for 35,000 hours

<sup>3</sup>Assume 4-in-10 people replace fixtures based on mortality curve and \$30 per replacement