

COOPER LIGHTING - LUMARK®

DESCRIPTION

Impact Flood's cylindrical form blends effortlessly to architectural and landscape environments. Available in wattages up to 175W Metal Halide and High Pressure Sodium, and up to 42W Compact Fluorescent. Impact Flood offers properly scaled solutions for any floodlighting application.

Catalog #		Type
Project		
Comments		Date
Prepared by		

SPECIFICATION FEATURES

Construction

HOUSING: Rugged one-piece die-cast aluminum housing will endure the toughest environments while maintaining precise tolerance control. Housing incorporates a one-piece extruded silicone gasket that seals the optical/electrical compartment from external moisture and contaminants. **DOOR:** Die-cast aluminum door features integral hinging to the housing. Door is secured with two (2) tamper resistant stainless steel allen head fasteners. Door frame features an integral accessory channel for the mounting of a wide array of optional vandal and light control accessories. The door lens is 0.2" thick, impact resistant, clear flat tempered glass sealed to the door with a one-piece silicone gasket.

Electrical

ELECTRICAL COMPONENTS: High Power Factor (HPF) ballast components are strategically located and heat sunk to the housing for cooler operation and longer life.

Optical

OPTICAL ASSEMBLY: Available in horizontal or vertical lamp orientations, high efficiency optical systems are formed from premium 95% reflective sheet aluminum. Optics feature medium-base lampholders.

Mounting

Heavy-duty die-cast aluminum knuckle utilizes tooth-lock adjustment mechanism for both solid engagement and easy aiming adjustment. Knuckle adjustment is made via one (1) captive stainless

steel allen head fastener consistent with door frame fasteners. Knuckle tested to safely sustain 3G of vibration. Knuckle features a 3/4" NPT nipple for rigid attachment to available mounting accessories. Optional heavy-gauge adjustable steel trunnion mount provides additional durability when required.

Finish

Fixture is finished in a 5 stage premium TGIC polyester powder coat paint, 2.5 mil nominal thickness for superior protection against fade and wear. Standard color is bronze. Optional white, black, and grey finishes are available.



MS IMPACT FLOOD SMALL

50 - 175W
Pulse Start Metal Halide
Metal Halide
High Pressure Sodium
28 - 42W
Compact Fluorescent

ARCHITECTURAL
FLOOD LUMINAIRE

IMPACT™

TECHNICAL DATA

UL Wet Location Listed
CSA Certified
25°C Maximum Ambient Temperature
External Supply Wiring 60°C Minimum

ENERGY DATA

High Reactance Ballast Input Watts

50W HPS HPF (66 Watts)
50W MP HPF (72 Watts)
70W HPS HPF (91 Watts)
70W MP HPF (90 Watts)
100W HPS HPF (130 Watts)
100W MP HPF (129 Watts)
150W HPS HPF (188 Watts)
150W MP HPF (185 Watts)

Electronic Ballast Input Watts

26W CF HPF (29 Watts)
32W CF HPF (36 Watts)
42W CF HPF (46 Watts)

EPA (effected projected area)
1.12

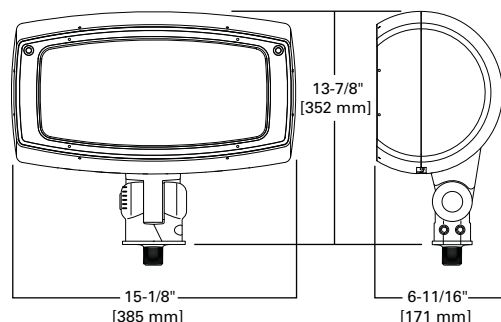
SHIPPING DATA (Approx.)
Net Weight (lbs.): 25



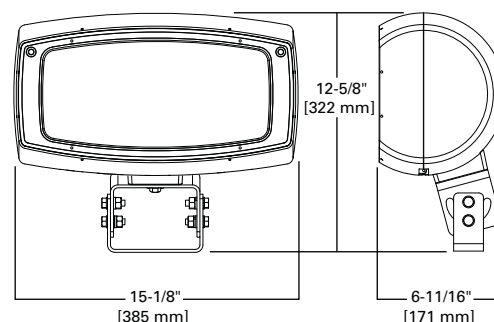
ADH082292 pc
2010-09-14 10:49:32

DIMENSIONS

Knuckle Mount



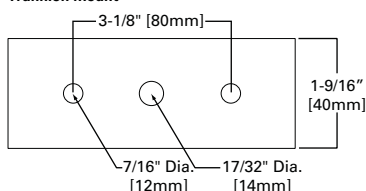
Trunnion Mount



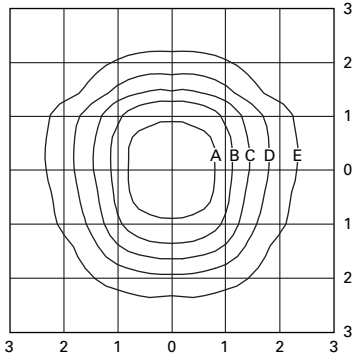
LAMP TYPE	WATTAGE
Pulse Start Metal Halide (MP)	50, 70, 100, 150W
Metal Halide (MH)	175W
High Pressure Sodium (HP)	50, 70, 100, 150W
Compact Fluorescent (CF)	26, 32, 42W

DRILLING DIMENSIONS

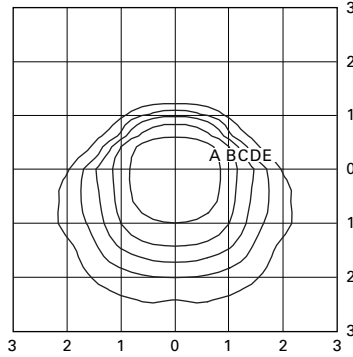
Trunnion Mount



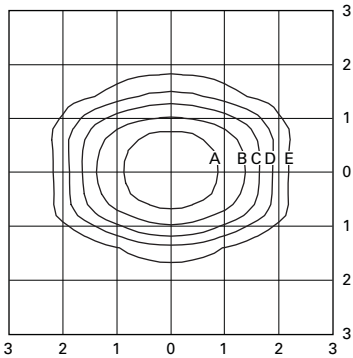
PHOTOMETRICS



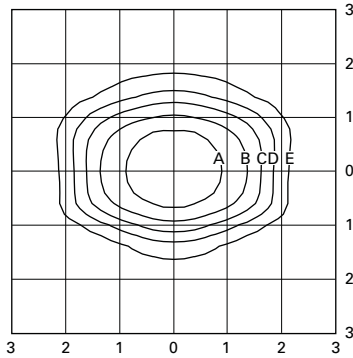
MPMS-X-HF-150
 150—Watt MP
 14,000—Lumen Clear Lamp
 Horizontal Flood



MPMS-X-HF-150-XX-TV
 150—Watt MP
 14,000—Lumen Clear Lamp
 Horizontal Flood with Top Visor



MPMS-X-VF-150
 150—Watt MP
 14,000—Lumen Clear Lamp
 Vertical Flood



HPMS-X-VF-150
 150—Watt HP
 16,000—Lumen Clear Lamp
 Vertical Flood

Footcandle Table

Select mounting height and read across for footcandle values of each isofootcandle line. Distance in units of mounting height.

Mounting Height	Footcandle Values for Isofootcandle Lines				
	A	B	C	D	E
10'	11.25	4.50	2.25	1.13	0.45
15'	5.00	2.00	1.00	0.50	0.20
20'	2.80	1.12	0.56	0.28	0.11

Footcandle Table

Select mounting height and read across for footcandle values of each isofootcandle line. Distance in units of mounting height.

Mounting Height	Footcandle Values for Isofootcandle Lines				
	A	B	C	D	E
10'	11.25	4.50	2.25	1.13	0.45
15'	5.00	2.00	1.00	0.50	0.20
20'	2.80	1.12	0.56	0.28	0.11

ORDERING INFORMATION

Sample Number: MHMS-K-HF-175-MT-LL



Lamp Type ¹
MP=Pulse Start Metal Halide
MH=Metal Halide²
HP=High Pressure Sodium
CF= Compact Fluorescent

Series
MS= Impact Flood Small

Mounting
T=Trunnion
K=Knuckle

Distribution
HF=Horizontal Flood
VF=Vertical Flood

Lamp Wattage ¹

MP
50: 50W
70: 70W
100: 100W
150: 150W
MH
175: 175W²
HP
50: 50W
70: 70W
100: 100W
150: 150W
CF
26: 26W
32: 32W
42: 42W

Voltage ³
120V
208V
240V
277V
347V
480V
DT
MT
TT
E ⁴

Options
Q=Quartz Restrike (Hot Strike Only)
EM=Quartz Restrike with "Delay Relay" (Quartz lamp strikes at both hot and cold starts)
EM/SC= Emergency Separate Circuit
LL= Lamp Included (Must Specify Wattage with Fluorescent)
PE= Internal Photocontrol (Specify Voltage)
PC= Button Type Photocontrol
F= Single Fuse (120, 277 or 347V. Specify Voltage)
FF= Double Fuse (208, 240 or 480V. Specify Voltage)

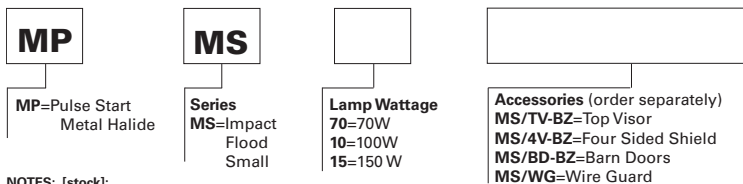
Standard Color ⁵
 _ : Bronze (Standard)
WH= White
BK= Black
AP= Grey

Accessories ⁶
MS/JB-XX=Architectural J-Box
MS/SF-XX=Slipfitter
MS/TMA-XX=Twin Mount Arm (EPA 0.35)
MS/WMA-XX= Wall Mount Arm (EPA 0.22)
MS/WM-XX= Wall Mount
MS/BD-XX= Barn Doors (EPA 1.03)
MS/TV-XX= Top Visor (EPA 0.51)
MS/4V-XX= Four-Sided Shield (EPA 0.87)
MS/VS= Vandal Shield
MS/WG= Wire Guard

Notes: 1 All HID lamps are medium-base. 2 175W MH available in non-U.S. markets only. 3 Products also available in non-US voltages and 50HZ for international markets. 4 Compact Fluorescent lamps only, 120-277V with internal fusing. In cold temperatures, compact fluorescent lamps produce lower illumination levels. 5 Other finish colors available. Consult your Cooper Lighting representative. 6 Order separately, replace XX with color designation.

STOCK SAMPLE NUMBER (LAMP INCLUDED):

Sample Number: MPMS15



NOTES: [stock]:

Horizontal flood optics, knuckle mount, multi-tap ballast and bronze paint are standard for stock oproducts. Add "W" to the end of the catalog logic to specify white finish (available on small housing 150W only). Stock accessories only available in bronze finish. Options not available with stock products. Refer to standard ordering information. Refer to In-Stock Guide for availability.

VOLTAGE CHART	
DT=Dual-Tap	120/277 (wired 277V)
MT=Multi-Tap	120/208/240/277 (wired 277V)
TT=Triple-Tap	120/277/347 (wired 347V)
E=Electronic Ballast (CF only)	120-277V (wired 277V) (50/60 HZ)