

DESCRIPTION

The H470ICAT is designed for insulated ceilings and can be in direct contact with ceiling insulation. This AIRTITE™ housing design prevents airflow between attic and living areas and saves on both heating and air conditioning costs. The 13W electronic compact fluorescent ballast meets FCC Title 47 CFR part 18 for Consumer equipment. The H470ICAT offers a wide choice of trim types including reflector, baffle, and lensed shower trims.

Catalog #		Type
Project		
Comments		Date
Prepared by		

SPECIFICATION FEATURES

Housing

Single wall aluminum housing. Openings are gasketed for AIRTITE installation. 5 1/2" height allows use in 2" x 6 joist construction. Housing adjusts for ceilings up to 1" thick.

Plaster Frame

Includes regressed locking screw for hanger bars and cutouts for crimping hanger bars in position. AIRTITE gasket is pre-installed on frame.

Junction Box

- Listed for through branch circuit wiring
- Positioned to accommodate straight conduit runs
- Seven 1/2" trade size conduit knockouts with true pry-out slots
- Slide-N-Side™ connectors allow non-metallic sheathed cable to be installed without tools and without removing knockouts. Accepts a wider range of non-metallic sheathed cable – the standard cable types used in lighting for both U.S. and Canada.
- Allows wiring connections to be made outside the junction box
- Simply insert the cable directly into the trap after connections are made
- Accommodates the following standard non-metallic sheathed cable types:
 - (US) #14/2, #14/3, #12/2, #12/3
 - (Canada) #14/2, #14/3, #12/2

Bar Hangers

Bar Hanger Features include:

- Pre-installed nail easily installs in regular lumber, engineered lumber and laminated beams

- Safety and guidance system prevents snagging, ensures smooth straight nail penetration and allows bar hangers to be easily removed if necessary
- Automatic leveling flange aligns the housing and lets you hold the housing in place with one hand while driving nails
- Housing can be positioned at any point within 24" joist span
- Pass-N-Thru™ feature allows bar hangers to be shortened without removing from plaster frame
- Score lines allow "tool-less" shortening for 12" joists
- Integral T-bar clip snaps onto T-bars - no additional clips required

Socket

G24q-1/GX24-1 socket for one 13W TTT - Triple Twin Tube 4 pin lamp.

Lamp

Compact Fluorescent lamp (by others).
TTT-Triple Twin Tube (CFTR)

- CFTR13W/GX24q 2700K
- CFTR13W/GX24q 3000K
- CFTR13W/GX24q 3500K
- CFTR13W/GX24q 4100K

DTT-Double Twin Tube (CFQ) 13W lamps may be used but are not recommended with this fixture due to the longer overall length of 13W DTT lamps.

- 12,000 hour rated average life
- 82 CRI rated lamps provide excellent color and high visual comfort.

- Color temperature (warm to cool) options offer 2700K warm or 3000K medium warm incandescent-like light or 3500 medium cool or 4100 cool light.

Electronic Ballast

Thermally protected, fused, 120 volt electronic ballast provides full light output and rated lamp life. Provides flicker free and noise free operation and starting. End of lamp life protection is standard. Meets FCC EMI/RFI Consumer Level limits.

Labels

- UL Listed for Damp Location
- UL Listed wet location with select trims
- UL Listed for Direct Contact with Insulation and combustible material
- UL Listed for Feed Through
- UL/cUL Listed

Compliance - IC/AIR-TITE

- State of California Title 24 - High Efficacy Compliant
- Washington State Energy Code
- New York State Energy Conservation Construction Code
- International Energy Conservation Code (IECC) - High Efficacy Compliant
- Certified AIR-TITE under ASTM-E283



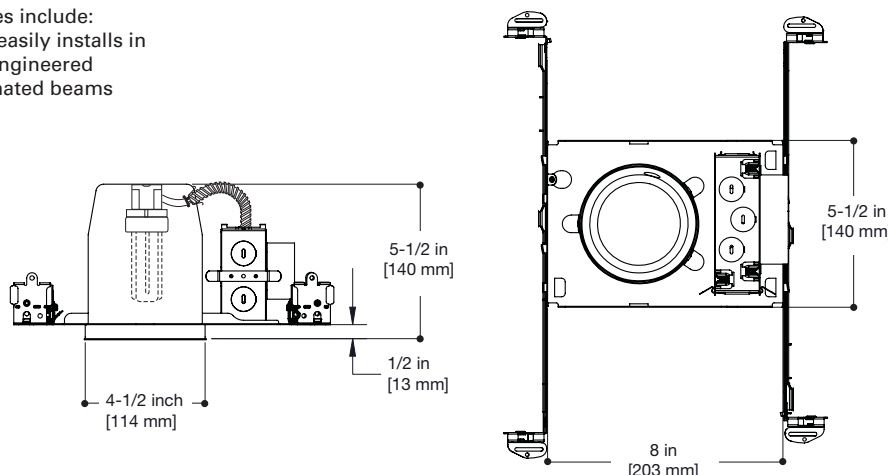
H470ICAT

4 Inch Insulated Ceiling AIR-TITE™ Recessed Housing 13W TTT Compact Fluorescent

FOR USE IN INSULATED CEILINGS FOR DIRECT CONTACT WITH INSULATION

Energy Data

Min. Starting Temp 0°C	Sound Rating Class P
EMI/RFI Emissions FCC 47CFR Part 18 Consumer Limits	
Input Frequency 60 Hz	Power Factor > 0.50
THD < 150%	Input Voltage 120V
Crest Factor < 1.58	Ballast Factor 1.0
13W	Input Power 15W
	Input Current 0.26A max



ORDERING INFORMATION

SAMPLE NUMBER: H470ICAT-955PS
 Order housing and trims separately.

Housing



H470ICAT= 4" Insulated Ceiling
 13 Watt Compact
 Fluorescent AIR-TITE™
 Housing

Trims



REFLECTORS



999

Specular Reflector Cone
999P=Specular Clear, White Trim Ring
999W=White Reflector, White Trim Ring
999RG=Residential Gold, white trim ring
999H=Haze Reflector, white trim ring
999MB=Specular Black Reflector, white trim ring
999AC=Antique Copper Reflector with Antique Copper Trim Ring
999SN=Satin Nickel Reflector with Satin Nickel Trim Ring
999TBZ=Tuscan Bronze Reflector with Tuscan Bronze Trim Ring
 OD: 5 1/16" (129mm)

BAFFLES



993

Coilex Baffle with Die Cast Trim Ring
993P=Black Baffle with White Trim Ring
993AC=Black Baffle with Antique Copper Trim Ring
993PB=Black Baffle with Polished Brass Trim Ring
993W=White Baffle with White Trim Ring
993SN=Black Baffle with Satin Nickel Trim Ring
993TBZ=Black Baffle with Tuscan Bronze Trim Ring
 OD: 5 1/16" (129mm)



953

Metal Baffle with Die Cast Trim Ring
953P=Black Baffle with White Trim Ring
953W=White Baffle with White Trim Ring
953TBZ=Tuscan Bronze Baffle with Tuscan Bronze Trim Ring
953AC=Antique Copper Baffle with Antique Copper Trim Ring
953SN=Satin Nickel Baffle with Satin Nickel Trim Ring

OPEN



945

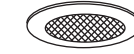
Metropolitan Ice Light
945=Clear Frosted
945BLUE=Blue Frosted
 OD: 5 5/16" (135mm)



946

Metropolitan Deco
946BC=Green Tint Rings with Black Chrome Metal Body
946PB=Green Tint Rings with Polished Brass Metal Body
 OD: 5 5/8" (143mm)

SHOWER LIGHT



955

Shower Light
955PS=Shower Light, White Trim Ring, Flat Lens
 OD: 5 1/16" (129mm)



952

952PS=Shower Light, White Trim Ring, Dome Lens
 OD: 5 1/16" (129mm)



ERT455

ERT455=Shower Light, Gloss White Trim Ring, Flat Lens
 OD: 5 1/16" (129mm)