

Catalog #	Type
Project	
Comments	
Prepared by	Date

# LK8, LiteKeeper 8



- Manual and programmable control of each relay via a simple keypad and 2 line LCD display
- Normally open, latched, and two pole relays available
- Uses parallel relay cards
- Flush mount kit available

## Specifications:

**Enclosure:** NEMA 1 surface mount, lockable

**Size:** 14"H x 9.5"W x 5"D or 7"D

### Transformer Ratings:

- Multi-tapped 120/277 VAC internally fused standard
- Optional 347 VAC internally fused

**Power Use Ratings:** Fully loaded panel 40 watts

### Operating Temp. Ratings:

- 32°F to 122°F (0°C to 50°C)

**Master Override:** ON/AUTO/OFF

### Programming:

- Onboard keypad and LCD display
- Optional PC Software

### Standard Relay Ratings:

- 20A, 120/277 VAC
- Normally open
- Maximum wire size: 10 AWG
- Mechanical operations: 10 million

### Latching Relay Ratings:

- 20A, 120/277/347 VAC
- Maximum wire size: 6 AW
- Mechanical operations: 10 million
- Provides a system SCCR rating of 10,000A

### Two Pole Relay Ratings:

- 20A, 208/240/480 VAC
- Normally open
- Maximum wire size: 6 AWG
- Mechanical operations: 10 million

**System warranty:** Three year

**Relay warranty:** Ten year



Keypad and LCD for simplified programming

## Overview

The LiteKeeper 8 stand-alone lighting control panel is an all-inclusive premium grade system for applications that would traditionally use a timeclock in conjunction with contactors. Control up to 8 relays per panel. Several relay options and more standard features than any other stand-alone panel on the market combine to create a state of the art stand-alone lighting control system.

## System Includes

- UL Listed – UL 916 standard
- NEMA 1 enclosure
- 8 relays
- 8 low voltage input connections
- Time schedules with astronomical clock
- Prioritization and masking of switch inputs, time schedules, and remotes
- Timed inputs
- Occupant warn-off and overrides
- Keypad and 2 line LCD display
- RS-232 port standard

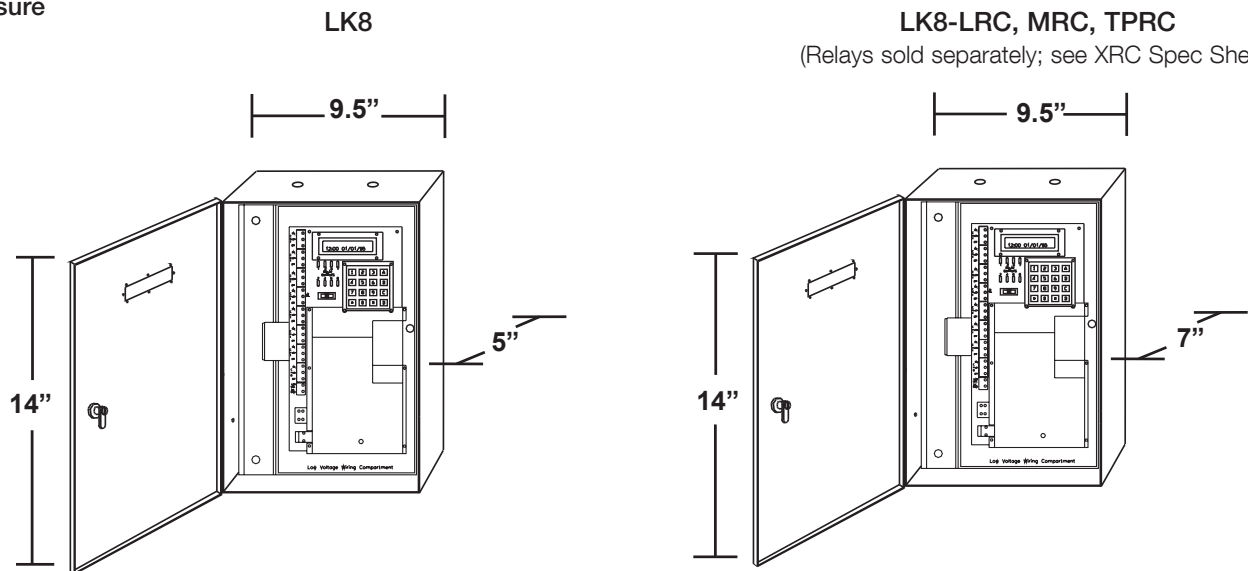
## Accessories

- Keeper Enterprise Software
- Ethernet Interface Module
- Telephone Interface Module
- Flush Mount Kit
- Greengate Digital Switch (GDS)
- Dry Contact Switches
- Contact Input Photosensor
- Occupancy Sensor
- CEPC (UL924 Accessory)

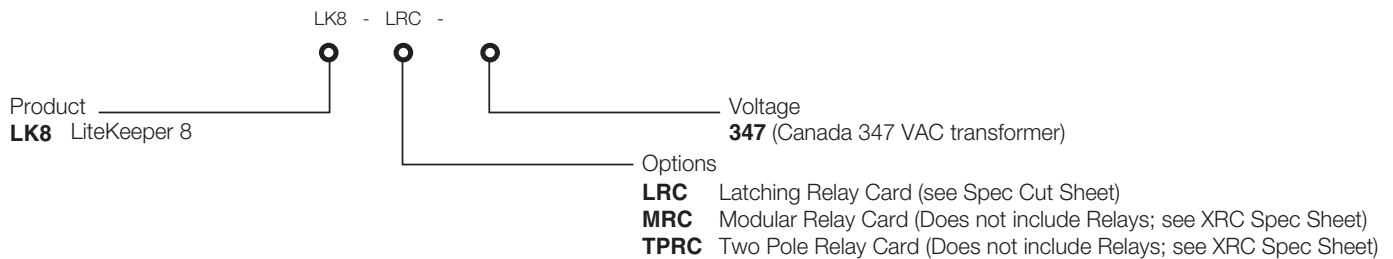
## Ordering

See next/back page for Ordering details.

### Enclosure



### Ordering



### Additional Options

Catalog #	Description
LK 8 FK	LiteKeeper 8 size Flushmount Kit (option)

### Sample One-Line

