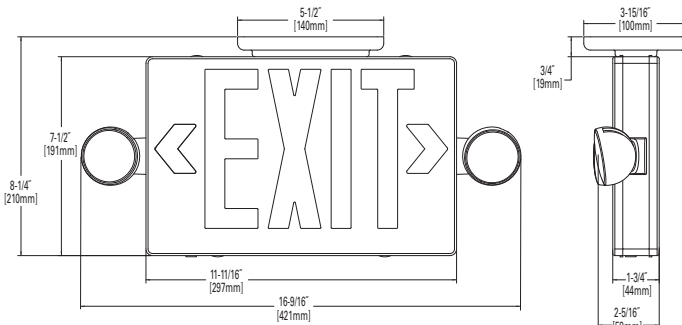


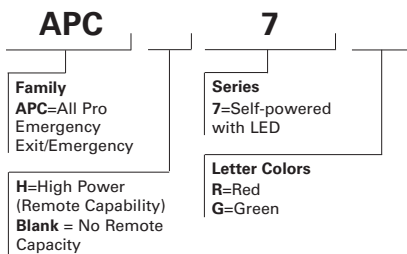
APC Series Thermoplastic Combo with Heads Emergency/Exit Lighting

Sustainable LED Design



Ordering Information

SAMPLE NUMBER: APC7R, APCH7G



Energy Data

Model No.	Input Power		Input Current		Power Factor	
	120V	277V	120V	277V	120V	277V
APC7G	1.55W	1.45W	.09A	.09A	.14	.06
APC7R	1.31W	1.68W	.09A	.09A	.12	.07
APCH7G	2.80W	2.10W	.10A	.10A	.20	.07
APCH7R	2.34W	1.62W	.14A	.10A	.14	.06

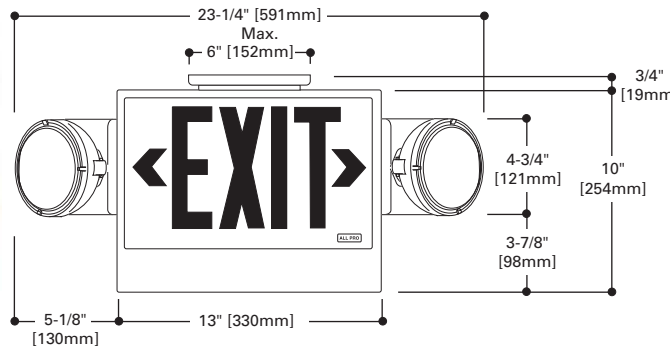
Applications

- General purpose applications

Specifications

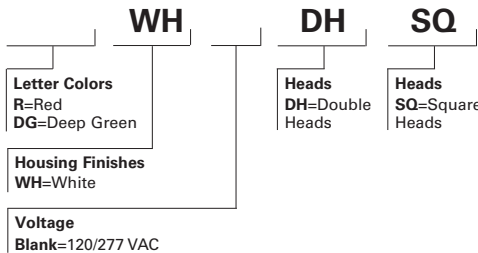
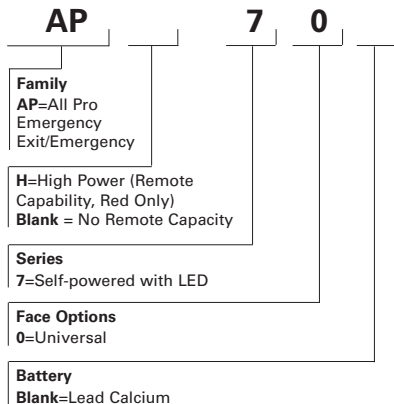
- Dual-voltage input 120/277 VAC, 60 Hz
- High-impact, thermoplastic housing
- Long-life LED lamps provide uniform diffused illumination
- Nickel cadmium battery
- Universal exits can be field configured as single-face or double-face
- Tri-mount system for ceiling, wall or end mounting
- Field selectable chevrons
- UL damp location listed
- Operates from 10°C to 40°C
- Meets or exceeds all current UL924 requirements, Life Safety Code (NFPA 101), NEC/OSHA and most state and local codes
- EPC compliant

AP Series Thermoplastic Combo with Heads Emergency/Exit Lighting



Ordering Information

SAMPLE NUMBER: AP70RWHDH



Wattage Ratings

APH with Double heads (DH) has remote capacity of 11 watts for 1 1/2 hrs.

Specifications

- Dual-voltage input 120/277 VAC, 60 Hz
- High-impact, thermoplastic housing
- Heads DC: 6V, 5.4W incandescent wedge base lamps
- Lead calcium battery (11W remote capacity: APH only)
- Universal exits can be field configured as single-face or double-face
- Tri-mount system for ceiling, wall or end mounting
- Field selectable chevrons
- UL damp location listed
- Meets or exceeds all current UL924 requirements, Life Safety Code (NFPA 101), CSA Certified, NEC/OSHA and most state and local codes
- EPC compliant