

# COOPER LIGHTING - LUMARK®

## DESCRIPTION

The Lumark Eternalume is ideal for perimeter area lighting, residential and commercial security lighting, residential streets, parking areas, and loading platforms. U.L. listed and CSA certified unless footnoted otherwise.

Catalog #		Type
Project		
Comments		Date
Prepared by		

## SPECIFICATION FEATURES

### Construction

HOUSING: Precision die-cut aluminum housing with natural finish.

### Electrical

PHOTOCONTROL: NEMA twistlock style photocontrol for automatic dusk-to-dawn operation. BALLAST: HP: 120V/60Hz, Reactor, NPF Core

and coil magnetic ballast. MP: 120V/60Hz, High reactance (Hx) NPF Core and coil magnetic ballast. SOCKET: Porcelain mogul-base or medium-base screw shell socket with spring loaded center contact. HP: Mogul-Base MP: Medium-Base (protected). LAMP: High Pressure Sodium or Pulse Start Metal Halide lamp included.

### Optical

REFLECTOR: Fluted, formed specular aluminum reflector fastens to main housing for secure fit. OPTICS: 12" open bottom, acrylic refractor.

### Mounting

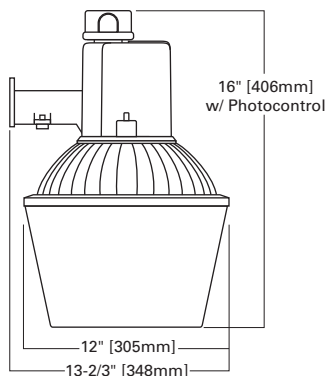
Can be pole or wall mounted. 1-5/8" O.D. slipfitter hardware included.



## EL Eternalume AREA LIGHT

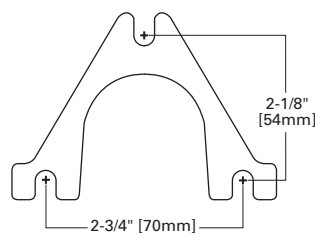
70 - 150W  
Incandescent Low Voltage  
Compact Fluorescent  
**SECURITY LUMINAIRE**

## DIMENSIONS

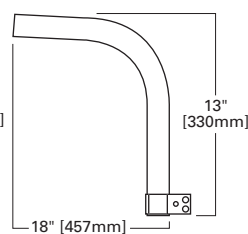


## MOUNTING OPTIONS

### DIRECT MOUNT



### 18" ARM



### Technical Data

UL Wet Location Listed  
CSA Certified  
60° Supply Wire Rating  
25° Ambient Environment

### ENERGY DATA

#### Reactance Ballast Input Watts

70W HP NPF (86 Watts)  
100W HP NPF (115 Watts)  
150W HP NPF (170 Watts)

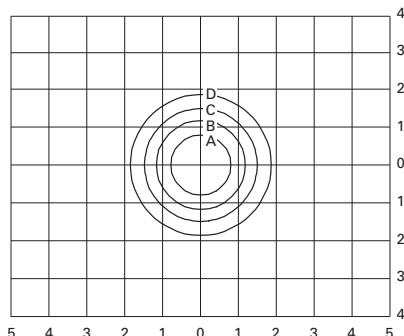
#### Hi-Reactance Ballast Input Watts

70W MP HPF (90 Watts)  
100W MP HPF (128 Watts)

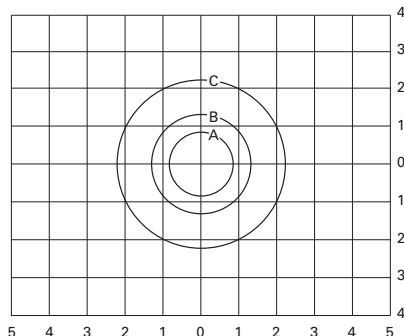
### Shipping Data

Approximate Net Weight:  
11 lbs. (5 kgs.)

PHOTOMETRICS



**MPEL10**  
100-Watt MP  
8,500-Lumen Clear Lamp



**HPEL10**  
100-Watt HPS  
9,500-Lumen Clear Lamp

**Footcandle Table**

Select mounting height and read across for footcandle values of each isofootcandle line. Distance in units of mounting height.

**Mounting Height**      **Footcandle Values for Isofootcandle Lines**

MPEL10	A	B	C	D
20'	2.25	1.13	0.45	0.23
25'	1.44	0.72	0.29	0.14
30'	1.00	0.50	0.20	0.10

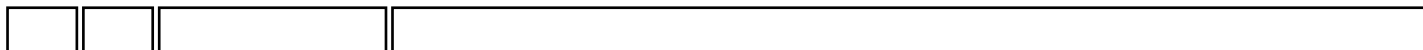
HPEL10	A	B	C
20'	1.13	0.45	0.23
25'	0.72	0.29	0.14
30'	0.50	0.20	0.10

**Multiplier Table**

Watts	MH	HPS
150		1.69
100	0.89	
70	0.56	0.61

ORDERING INFORMATION

Sample Number: MHEL70



**Lamp Type**

MP=Pulse Start Metal Halide  
HP=High Pressure Sodium

- Notes: 1 Includes 18" arm, lamp and 120V photocontrol.  
2 HP only.  
\* All products are 120V.

**Series <sup>1</sup>**

EL=Eternalume

**Lamp Wattage**

MP  
70=70W  
10=100W  
HP  
70=70W  
10=100W  
15=150W<sup>2</sup>

**Accessories**

L-A24=24" Arm with Hardware  
OA/RA1013=Shorting Cap

STOCK SAMPLE NUMBER (LAMP INCLUDED)

SAMPLE NUMBER: MPEL10



**Lamp Type**

MP = Pulse Start Metal Halide  
HP=High Pressure Sodium

**Fixture Type**

EL=Eternalume

**Lamp Wattage**

70 =70W  
10=100W  
15=150W<sup>1</sup>

NOTES:

<sup>1</sup> HP only.

All products are 120V.

Options not available with stock products. Refer to standard ordering information to add options and accessories. Refer to In-Stock Guide for availability.