

DESCRIPTION

The Lumark Wal-Pak Series of wall luminaires provides traditional architectural style with high performance energy efficient illumination. Rugged die-cast aluminum construction, stainless steel hardware along with a sealed and gasketed optical compartment make the Wal-Pak virtually impenetrable to contaminants. IP65 Rated. Six available lamp sources including patent pending energy efficient LED, pulse start metal halide, compact fluorescent, ceramic metal halide, standard metal halide and high pressure sodium. UL/cUL wet location listed. The Wal-Pak wall luminaire is ideal for pathway illumination, building entrances, vehicle ramps, schools, tunnels, stairways and loading docks.

SPECIFICATION FEATURES

Housing

Rugged one-piece die-cast aluminum housing and hinged, removable die-cast aluminum door. One-piece silicone gasket seals the optical chamber. UL 1598 wet location listed and IP65 ingress protection rated. Not recommended for car wash applications.

Electrical

Ballasts, LED driver and related electrical components are hard mounted to the die-cast housing for optimal heat sinking and operating efficiency. Wiring is extended through a silicone gasket at the back of the housing. Three 1/2" threaded conduit entry points allow for thru-branch wiring. LED thermal management system incorporates both conduction and natural convection to transfer heat rapidly away from LED source. Integral LED electronic driver incorporates internal fusing designed to withstand a 3kV surge test and is Class 2 rated for 120-277V with an operating temperature of -30° to 60°C.

Wal-Pak LED systems maintain greater than 70% of the initial light output after 50,000 hours of operation. UL listed HID high power factor ballasts are Class H insulation rated (metal halide: 150, 175, 200, 250, 320, 350, 400W [-30°C / -20°F], (high pressure sodium: 50, 70, 100, 150, 250, 400W [-40°C / -40°F]. High efficiency HID ballasts are available in 120V, 208V, 240V, 277V, 347V and 480V. Compact fluorescent high power factor ballasts are Class P insulation rated for 120-277V and have a starting temperature of -18°C / 0°F.

Optical

Highly reflective anodized aluminum reflectors provide high efficiency illumination. Optical assemblies include impact resistant borosilicate refractive glass, Solite™ flat diamond patterned glass and full cutoff IESNA compliant configurations. Patent pending, solid state LED luminaires are thermally optimized with 2400 or 4000 sourced lumen package modules. HID models are offered in

Catalog #		Type
Project		
Comments		Date
Prepared by		

horizontal medium or mogul-based metal halide [MH / MP] or high pressure sodium [HP] lamps. T6 ceramic metal halide [CM] and 4-pin compact fluorescent [CF] lamp models offer high efficiency energy saving illumination.

Door Assembly

Single point, captive stainless steel hardware secures the removable hinged door allowing for ease of installation and maintenance. Door assembly is hinged at the bottom for easy removal, installation and re-lamping.

Finish

Housing and door are protected with 5-stage TGIC dark bronze polyester powder coat paint. Premium TGIC power coat finishes withstand extreme climate changes while providing optimal color and gloss retention. Optional premium colors are available.



WP WAL-PAK

2400 - 4000 Lumen LED
39 - 400W

High Pressure Sodium
Pulse Start Metal Halide
Metal Halide

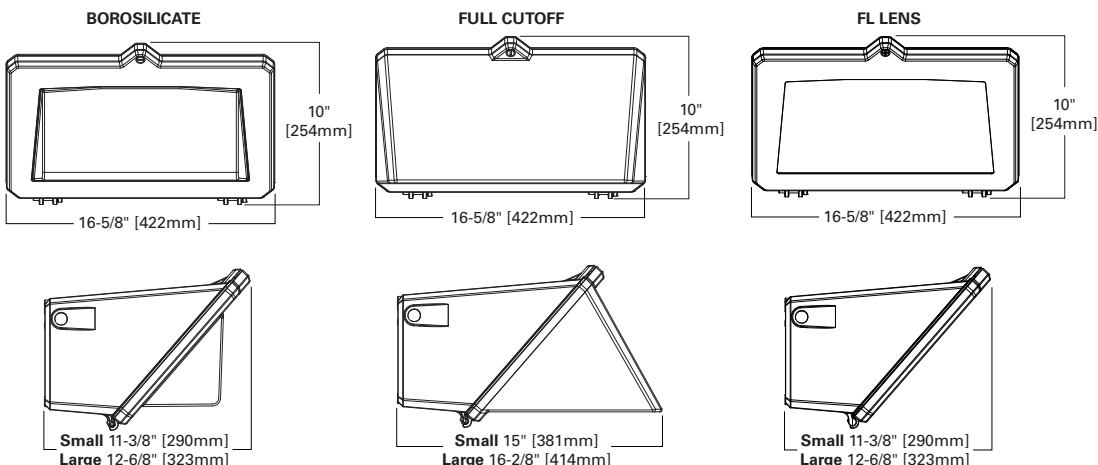
Ceramic Metal Halide
32 - 140W

Compact Fluorescent



WALL MOUNT LUMINAIRE

DIMENSIONS



TECHNICAL DATA

UL/cUL Wet Location Listed
IP65 Rated
40°C Maximum Ambient Temperature
External Supply Wiring 90°C Minimum
EISA @, ARRA, Title 20 Compliant
LM79 / LM80 Compliant

ENERGY DATA

Reactor Ballast Input Watts

50W HPS NPF (58 Watts)
70W HPS NPF (82 Watts)
100W HPS NPF (118 Watts)
150W HPS NPF (175 Watts)

High Reactance Ballast Input Watts

50W MP HPF (69 Watts)
70W MP HPF (94 Watts)
100W MP HPF (129 Watts)
150W MP HPF (185 Watts)

CWA Ballast Input Watts

200W HPS HPF (250 Watts)
200W MP HPF (227 Watts) @
250W MP HPF (283 Watts) @
320W MP HPF (365 Watts)
350W MP HPF (400 Watts) @
400W HPS HPF (465 Watts)
400W MP HPF (452 Watts) @

SHIPPING DATA

Approximate Net Weight:

32-42 lbs. (15-19 kgs.) ADH092103 pc
2012-01-12 09:08:16