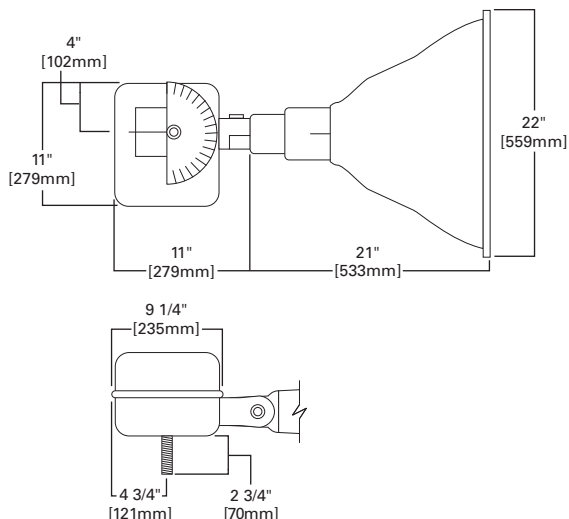


COOPER LIGHTING - LUMARK

DIMENSIONS



DESCRIPTION

Computer-designed optics and a precise aiming mechanism make the Eagle XL the right choice for amateur or professional sports facilities. U.L. listed for wet locations. CSA certified.



XL EAGLE

1000-1500W
High Pressure Sodium
Pulse Start Metal Halide
Metal Halide

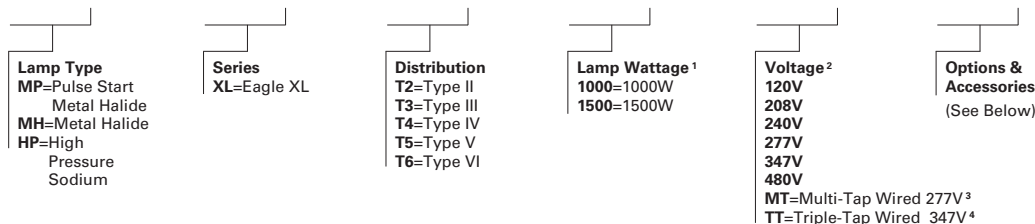
SPORTS FLOODLIGHTING

EPA-Effected Projected Area: 2.45

For Pole Information Refer to Cooper Lighting Pole Section.

ORDERING INFORMATION

SAMPLE NUMBER: HPXL-T3-1000-MT



Options⁵

- F1=Single Fuse (120, 277 or 347V only)
- F2=Double Fuse (208, 240 or 480V only)
- LL=Lamp Included⁶
- C3=3' Cord with no plug (Must use with FH-1 or FL-1 or SHK)⁷

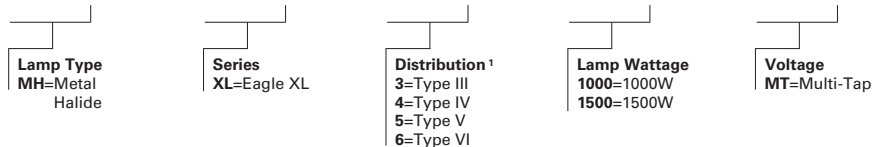
Accessories⁸

- S/XL=Slipfitter Mount, Field Installed (Fits 2-3/8" O.D. Tenon pipe)
- VS/XL=Vandal Shield
- HD/XL=Heavy-duty Shroud
- TV/XL=Top Visor
- S2C2WP=Two-in-line Crossarm for Wood Pole (EPA .9)
- S3C3WPM=Three-in-line Offset Crossarm for Wood Pole (EPA 3.6)
- S4C4WP=Four-in-line Crossarm for Wood Pole (EPA 4.5)
- WB/XL=Wood Crossarm Bolt

NOTES: 1 All lamps are mogul-base. Lamp not included. Pulse Start Metal Halide (MP) and Metal Halide (MH) available in 1000W only. 2 Products also available in non-US voltages and 50Hz for international markets. 3 Multi-Tap ballast is 120/208/240/277V wired 277V. 4 Triple-Tap ballast is 120/277/347V wired 347V. 5 Add as suffix in the order shown. 6 Lamp is shipped separate from luminaire. Lamp is Cooper designated product based on luminaire requirements. Specified lamps must be ordered as a separate line item. 7 Specify desired length in unit of feet (Example: C6 for 6' cord). 8 Order separately. 9 Specifications and dimensions subject to change without notice.

STOCK SAMPLE NUMBER

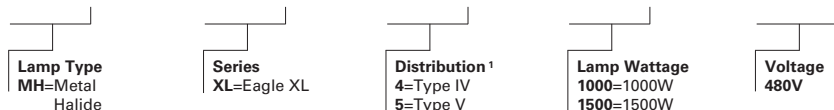
SAMPLE NUMBER: MHXL-3-1000-MT



NOTES: 1 Type VI available in 1000W only. Options not available with stock products. Order accessories as separate items for field installation. Refer to standard ordering information to add options and accessories. Refer to In-Stock Guide for availability.

STOCK SAMPLE NUMBER (INCLUDES REFLECTOR AND DOOR)

SAMPLE NUMBER: MHXL-4-1000-480V



NOTES: 1 Type IV available in 1500W only. Options not available with stock products. Order accessories as separate items for field installation. Refer to standard ordering information to add options and accessories. Refer to In-Stock Guide for availability.

Lamp Type	Wattage	Voltage Chart
Pulse Start Metal Halide (MP)	1000W	MT=Multi-Tap 120/208/240/277V (wired 277V)
Metal Halide (MH)	1000W, 1500W	TT=Triple-Tap 120/277/347V (wired 347V)

- UL Wet Location Listed. CSA Certified
- Rugged aluminum ballast housing is finished in corrosion-resistant dark bronze polyester powder coat
- Ballast/capacitor compartment provides cooler operation and extended component life.
- Vertical aiming quadrant with repositioning stop combines with horizontal aiming protractor to allow pre-aiming while pole is on the ground
- Die-cast socket housing has silicone gasket to keep out contaminants
- Computer-designed spun-aluminum reflector produces repeatable beam distributions blades (std.)
- 1/8" tempered, heat- and shock-resistant lens sealed with closed-cell neoprene gasketing protects optics from dust and contaminants and is hinged for easy access
- Approximate net weight: 45 lbs. (20 kgs.)