

# COOPER LIGHTING - METALUX®

## DESCRIPTION

The SS Series is a functional and multi-purpose wide strip family that incorporates premium performance and construction durability. The performance and application versatility of this series can be increased by incorporating symmetrical or asymmetrical reflectors. The SS Series can be installed using various mounting methods and numerous options and accessories are available.

The SS Series can be the illumination solution in commercial, industrial, retail and residential applications. Fixtures can be used in storage/utility areas, coves, display cases, shops, task and general area lighting.

## SPECIFICATION FEATURES

### A ... Construction

Channel die formed code gauge prime cold rolled steel. Numerous KO's for ease of installation. End plate quickly converts to snap-in channel connector for continuous row alignment. Lampholder mounting brackets easily installed with snap-in action. Channel/wireway cover secured with quarter-turn fasteners.

### B ... Electrical\*

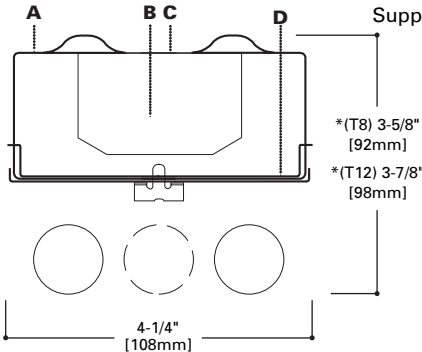
Ballasts are CBM/ETL Class "P" and are positively secured by mounting bolts. Pressure lock lampholders. UL/CUL listed. Suitable for damp locations.

### C ... Finish

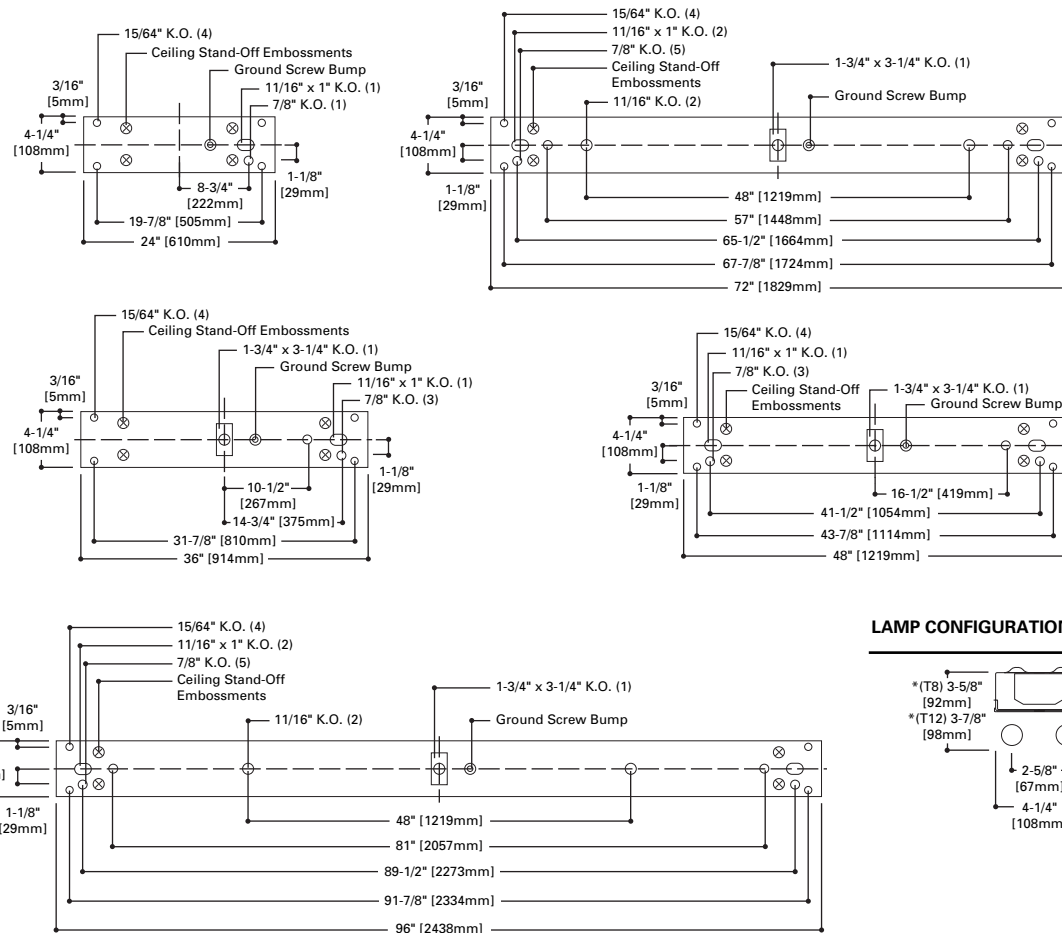
Multistage iron phosphate pretreatment ensures maximum bonding and rust inhibitor. Lighting upgrade, baked white enamel finish.

### D ... Channel/Wireway Cover

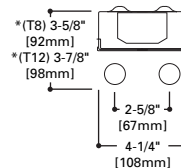
Die formed heavy gauge steel. Tight fit for ease of maintenance. Easily removed without use of tools. Optional reflector available incorporating silver technology enhancements. (Silver Lining) Consult Pre Sales Technical Support.



## MOUNTING DATA



## LAMP CONFIGURATIONS



- SS
- 120
- 117
- 140
- 132
- 220
- 217
- 230
- 225
- 240
- 232

2' STRIP  
1 OR 2 LAMP LTS OR HITS  
3' or 4' STRIP  
1 OR 2 LAMP  
Standard Striplight

## ENERGY DATA

Input Watts:  
EB Ballast & STD Lamps  
117 (20), 217 (36), 130 (50), 125 (37)  
140 (38), 132 (30), 230 (60), 225 (47)  
240 (72), 232 (61)  
ES Ballast & STD Lamps  
125 (33), 140 (38), 132 (30), 117 (23)  
217 (45), 230 (74), 225 (65), 240 (86)  
232 (71)

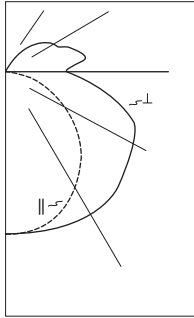
STD Ballast & STD Lamps  
120 (32), 220 (58)  
Luminaire Efficacy Rating  
LER = FS-88  
Catalog Number: SS-232  
Yearly Cost of 1000 lumens,  
3000 hrs at .08 KWH = \$2.73

\*Reference the lamp/ballast data in the Technical Section for specific lamp/ballast requirements.

LAMPS CONTAIN MERCURY. DISPOSE ACCORDING TO LOCAL, STATE OR FEDERAL LAWS

**LINEAR DISCONNECT**  
Safe and convenient means of disconnecting power





**SS-232**  
 Electronic Ballast  
 FO32T8 Lamps  
 2900 Lumens  
 Spacing criterion:  
 (||) 1.3 x mounting  
 height, (⊥) 1.6 x  
 mounting height  
 Efficiency 91.6%  
 Test Report:  
 SS232.IES  
 LER = FS-88  
 Yearly Cost of 1000  
 lumens, 3000 hrs at  
 .08 KWH = \$2.73

**Coefficients of Utilization**

rc	Effective floor cavity reflectance																						
	80%				70%				50%				30%				10%				0%		
rw	70	50	30	10	70	50	30	10	50	30	10	50	30	10	50	30	10	50	30	10	0	0	0
<b>RCR</b>																							
0	105	105	105	105	100	100	100	100	92	92	92	84	84	84	77	77	77	74	74	74	74	74	74
1	93	87	83	78	88	84	79	75	76	73	70	70	67	64	64	61	59	56	56	56	56	56	56
2	83	74	67	61	79	71	65	59	65	60	55	59	55	51	54	51	47	44	44	44	44	44	44
3	75	64	56	49	71	62	54	48	56	50	45	51	46	42	47	42	39	36	36	36	36	36	36
4	68	56	48	41	65	54	46	40	49	43	37	45	39	35	41	36	32	30	30	30	30	30	30
5	62	50	41	35	59	48	40	34	44	37	32	40	34	30	37	32	28	25	25	25	25	25	25
6	57	44	36	30	54	43	35	29	39	32	27	36	30	26	33	28	24	22	22	22	22	22	22
7	53	40	32	26	50	38	31	25	35	29	24	33	27	22	30	25	21	19	19	19	19	19	19
8	49	36	28	23	47	35	27	22	32	26	21	30	24	20	27	22	19	17	17	17	17	17	17
9	46	33	25	20	44	32	25	20	30	23	19	27	22	18	25	20	17	15	15	15	15	15	15
10	43	30	23	18	41	29	22	18	27	21	17	25	20	16	23	18	15	13	13	13	13	13	13

**Zonal Lumen Summary**

Zone	Lumens	%Lamp	%Fixture
0-30	830	14.3	15.6
0-40	1411	24.3	26.6
0-60	2753	47.5	51.8
0-90	4288	73.9	80.7
90-180	1023	17.6	19.3
0-180	5311	91.6	100.0

**Candela**

Angle	Along	45°	Across ⊥
0	1017	1017	1017
10	1007	1010	1021
20	949	985	1030
30	857	951	1042
40	738	906	1029
50	588	830	978
60	422	727	920
70	252	632	834
80	104	456	601
90	0	253	393
100	0	320	518
110	0	246	430
120	0	199	353
130	0	131	263
140	0	69	167
150	0	17	76
160	0	1	7
170	0	0	0
180	0	0	0

**ORDERING INFORMATION**

Sample Number: SS-232-120V-EB81-U

<b>Tandem</b> Blank: 2', 3' or 4' Length 6T: 6' Length 8T: 8' Length	<b>Number of Lamps</b> 1 Lamp (Not Included) 2 Lamps (Not Included)	<b>Ballast Start Type</b> LTS: Low Trigger Start (20W only) (120V only) HTS: High Trigger Start (20W only)	<b>Ballast Type</b> <sup>1</sup> LE3: T12 Magnetic Energy Saving EB: Electronic Instant Start ER: T8 Electronic Program Rapid Start. Total Harmonic Distortion < 10% DLS: Digital Lighting System Dimming	<b>Options</b> <sup>3</sup> /PLUS: Higher Ballast Factor > 1.13. Total Harmonic Distortion < 20% RLS: Rotor Lock Socket (T8 Lamp only) RIF1: Radio Interference Suppressor 6-3/18 SJT-C&P-515P: Cord & Plug (120V) 6-3/18 SJT-C&P-L715P: Cord & Plug (277V) TILW: Tandem In Line Wiring Option (Consult TILW Option Catalog Page) PI/CPI: Plug-In Option	<b>Packaging</b> U: Unit Pack 4B: 4 Bulk Packing
<b>Series</b> SS: Commercial Wide Striplite	<b>Wattage</b> 20: 20W T12 (24") 17: 17W T8 (24") 25: 25W T8 (36") 30: 30W T12 (36") 32: 32W T8 (48") 40: 40W T12 (48")	<b>Voltage</b> <sup>1</sup> 120V: 120 Volt 277V: 277 Volt 347V: 347 Volt UNV: Universal Voltage 120-277	<b>Lamp Size</b> 2: T12 8: T8		
		<b>Options</b> <sup>3</sup> GL: Single Element Fuse GM: Double Element Fuse Emergency: EM Installed <sup>4</sup>	<b>Number of Ballasts</b> 1: 1 Ballast 2: 2 Ballast		

- Notes:**
- 1 Products also available in non-US voltage and frequencies for international markets
  - 2 Not Available when specifying emergencies, voltage must be specific
  - 3 For SilverLining reflector add SR in Catalog Number. Example: STN/SS-SR-SYM-6
  - 4 Non available for 2' version.

**SHIPPING INFORMATION**

Catalog No.	Wt.
SS-117	7 lbs.
SS-217	7 lbs.
SS-125	9 lbs.
6TSS-125	16 lbs.
SS-225	9 lbs.
6TSS-225	15 lbs.
SS-132	9 lbs.
8TSS-132	16 lbs.
SS-232	7 lbs.
8TSS-232	20 lbs.

**ACCESSORIES**

- A1B=Spacer
- GRP-SS=Gripper Hanger (Use 2 Per Fixture)
- AYC=Chain/Set=36" Chain Hanger (Use 1 Set Per Fixture)
- SCF=Fixed Stem Set (Specify Length)
- SCS=Swivel Stem Set (Specify Length)
- CLC=Long Channel Connector
- STN/SS-ASY-3<sup>(4)</sup>=3" Asymmetric Reflector (Specify 2', 3', or 4')
- STN/SS-ASY/REV-3<sup>(4)</sup>=3" Asymmetric Reverse Reflector (Specify 2', 3', or 4')
- STN/SS-SYM-6<sup>(4)</sup>=6" Symmetric Reflector (Specify 2', 3', or 4')
- STN/SS-ASY-6<sup>(4)</sup>=6" Asymmetric Reflector (Specify 2', 3', or 4')
- IC-4FTREFL<sup>(4)</sup>=12" Symmetric Reflector
- WG/SS-4FT=Wire Guard

(Additional Accessories Available. See Options and Accessories Section.)