

XPF

XPFMax Performer/al



FEATURES

- High output luminaire, up to 40,000 raw lumens.
- Available with two T5/T5HO lamps in each globe assembly.
- Fluorescent system provides energy savings up to 50% when compared to HID.
- Multi voltage electronic ballast resistant to brownouts or voltage and frequency fluctuations.
- Lowest temperature rating available, T6.
- Provided with 4100° K, low mercury TPLC compliant lamps.
- Impact resistant borosilicate glass tubes.
- Adjustable mounting brackets allow a 110° range of aiming positions.
- Integral safety cable mounting points.
- Spring loaded lamp holders for maximum vibration resistance.
- Low profile design affords maximum mounting versatility.
- Optional, self contained emergency battery backup ballasts.
- UL listed for paint spray booth applications.
- Optional long life T5 lamps available upon request (consult factory).

APPLICATIONS

- Class I, II & III Division 1 explosive atmospheres
- High, mid & low bay
- Paint booths
- Paint & formulation facilities
- Aircraft fueling & maintenance areas
- Oil and gas exploration and production
- Fuel dispensing facilities
- Marine and watertight requirements
- Petrochemical facilities
- Dusttight requirements

APPROVALS

- Class I Division 1 Groups C & D
- Class I Division 2 Groups A, B, C & D
- Class I Zone 1 - Groups IIA & IIB
- Class II Divisions 1 & 2 - Groups E, F & G
- Class III
- Type 3R Enclosure
- Conforms to IP66
- Marine Outside Type Saltwater
- Paint Spray Booth Approved

STANDARDS

- UL 844 - Hazardous Locations
- UL 1598A - Luminaires for Marine Vessels
- UL 1203 - Electrical Equipment for Hazardous Locations
- CSA -Class 3428 83
- CSA -Class 3428 03

TECHNICAL SPECIFICATIONS

HOUSING

Cast copper free aluminum.

HARDWARE

Stainless steel.

REFLECTOR

Type 6065 aluminum with an electrostatically applied white polyester powder coat finish. Minimum 90% reflectance.

GLOBE ASSEMBLY

High impact resistant tempered borosilicate glass.

LAMP HOLDERS

Spring loaded for T5, T5HO, T8 & T12 lamp types. Engineered plastics, no urea materials.

ENTRIES

Three ½" NPT outlets, two plugged.

MOUNTING

Two adjustable aluminum surface mount brackets. Optional pendant bracket mount available.

GUARD

Optional, stainless steel.

LAMP TYPES

See ORDERING REFERENCES. Lamps provided.

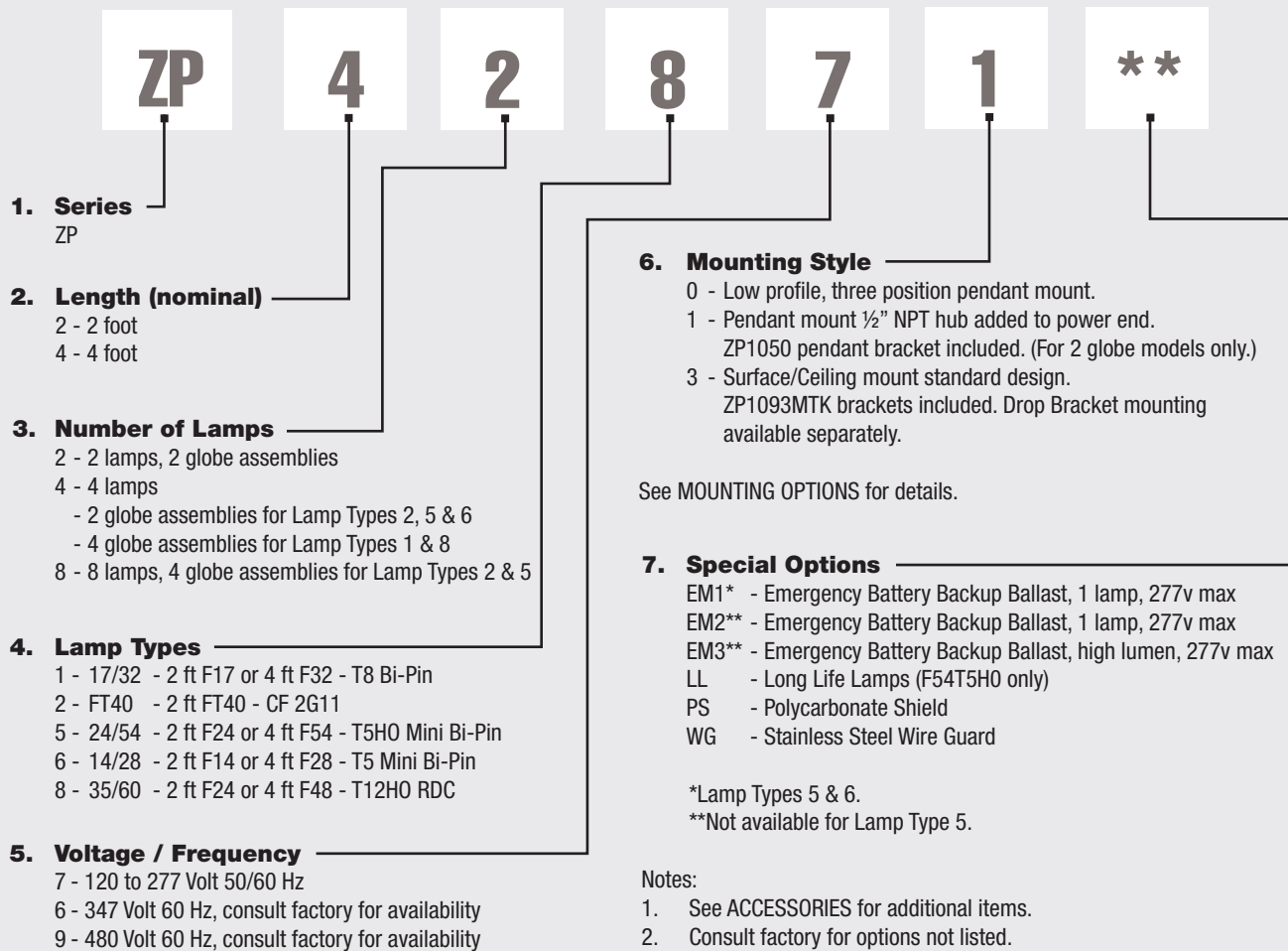
BALLAST

120 to 277 volt 50/60 Hz electronic, optional 347v and 480v.

EMERGENCY BATTERY BACKUP BALLAST

Optional, self contained 90 minute minimum for all lamp types. 120 minutes minimum for F32T8 one lamp. Starting temperature 32°F/0°C.

ORDERING REFERENCES



SPARE PARTS

Part No.	Description	Part No.	Description
FX5350	BALLAST 120-277V 60HZ, 2 x 14, F14T5	FX3507	LAMP, 35w, F24T12HO
FX5350	BALLAST 120-277V 60HZ, 2 x 28, F28T5	FX3505	LAMP, 60w, F48T12HO
FX5355	BALLAST 120-277V 60HZ, 2 x 24, F24T5HO	004-1020	GASKET, ballast box
FX5337	BALLAST 120-277V 60HZ, 2 x 54, F54T5HO	004-4300	REFLECTOR, left or right side, 4 ft models
FX5340	BALLAST 120-277V 60HZ, 2 x 17, F17T8	004-2300	REFLECTOR, left or right side, 2 ft models
FX5340	BALLAST 120-277V 60HZ, 2 x 32, F32T8	004-1030	GASKET, re-lamp end
FX5334	BALLAST 120-277V 60HZ, 2 x 35, F24T12HO	104-1053-2	BRACKETS, (2 ea) re-lamp end
FX5334	BALLAST 120-277V 60HZ, 2 x 60, F48T12HO	104-1053	BRACKET, blind end
FX5135U	EMERGENCY BATTERY BACKUP BALLAST, EM2, CF, T8, T12HO 120-277v	104-1050	BRACKET, pendant mounting, blind end
FX5195U	EMERGENCY BATTERY BACKUP BALLAST, EM3, T5 & T5HO 120-277v	758-5402	LAMP HOLDER, HO, spring loaded with 20" leads
FX5346HDU	EMERGENCY BATTERY BACKUP BALLAST, EM1, T5 & T5HO 120-277v	754-5422	LAMP HOLDER, RS, spring loaded with 20" leads
FX3573	LAMP, 14w, F14T5	758-5406	LAMP HOLDER, HO, spring loaded with 72" leads
FX3574	LAMP, 28w, F28T5	754-5426	LAMP HOLDER, RS, spring loaded with 72" leads
FX3568	LAMP, 24w, F24T5HO	754-0005	LAMP HOLDER, T5HO fixed & spring set
FX3567	LAMP, 54w, F54T5HO	004-3000	CLIP ASSEMBLY, to secure wire-way, all models
FX3577	LAMP, 54w, Long Life F54T5HO	36053	TUBE, glass, 4 ft models
FX3528	LAMP, 17w, F17T8	12197	TUBE, glass, 2 ft models
FX3527	LAMP, 32w, F32T8		

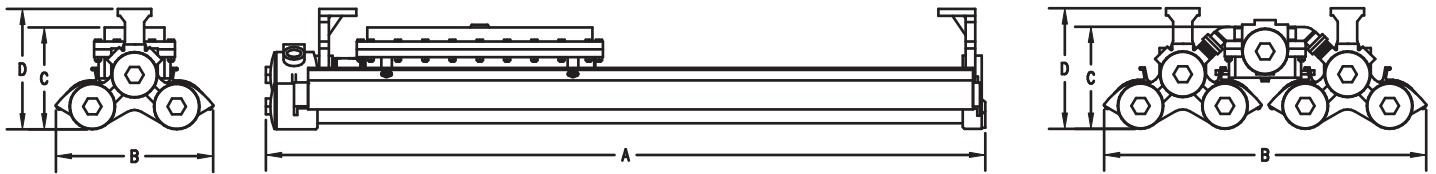
XPFMax Performer/al

TEMPERATURE CODES & APPROVALS

Lamp Wattage	Ballast/Socket Type	ANSI Lamp Code	Class I T Code	Class I Division 1	Class I Division 2	Class II Divisions 1 & 2	Class III	Class II & III T Code	Starting Temp	Maximum Ambient*	Supply Wire
17	T8 Bi-Pin G13	F17-T8	T6	C & D	A,B,C & D	E, F & G	Yes	T3C	0°F / -18°C	40°C	90°C
32	T8 Bi-Pin G13	F32-T8	T6	C & D	A,B,C & D	E, F & G	Yes	T3C	-20°F / -29°C	40°C	90°C
40	FT40 2G11	FT40-CF	T6	C & D	A,B,C & D	E, F & G	Yes	T3C	0°F / -18°C	40°C	90°C
35/60	T12HO RDC R17d	F24/F48-T12HO	T6	C & D	A,B,C & D	E, F & G	Yes	T3C	-20°F / -29°C	40°C	90°C
14/28	T5 Mini Bi-Pin G5	F14/F28-T5	T6	C & D	A,B,C & D	E, F & G	Yes	T3C	0°F / -18°C	40°C	90°C
24/54	T5HO Mini Bi-Pin G5	F24/F54-T5HO	T6	C & D	A,B,C & D	E, F & G	Yes	T3C	-20°F / -29°C	40°C	90°C

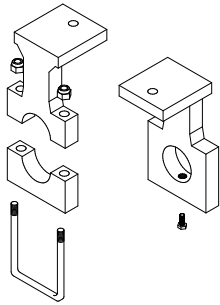
*Consult factory for optional higher ambient models.

DIMENSIONS

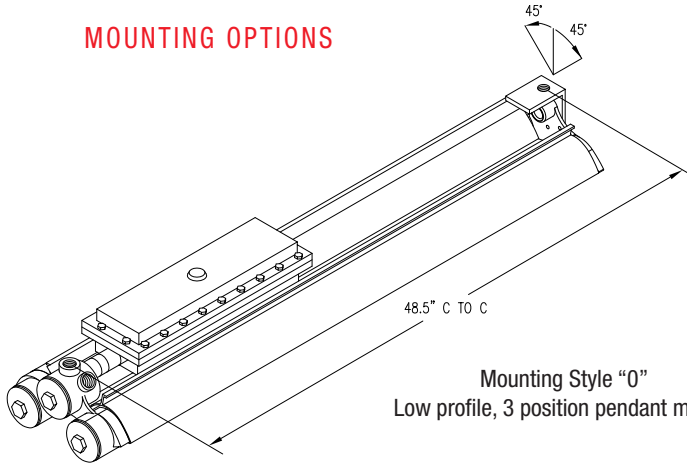


Nominal Length	Dimensions in Inches / Centimeters				Carton L X W X D inches	Nominal Weight	
	A	B	C	D		Lbs	Kg
2 Foot, 2 Tube	27.5 / 69.9	11.3 / 28.6	7.3 / 18.6	8.5 / 21.6	34 ⁵ / ₈ X 13 ³ / ₈ X 10 ³ / ₈	52.0	23.6
4 Foot, 2 Tube	51.5 / 130.8	11.3 / 28.6	7.3 / 18.6	8.5 / 21.6	58 ³ / ₄ X 12 ³ / ₄ X 10	61.5	27.9
4 Foot, 4 Tube	51.5 / 130.8	23.5 / 59.7	7.3 / 18.6	9.5 / 24.1	55 ¹¹ / ₁₆ X 17 ³ / ₄ X 10 ⁹ / ₁₆	119.0	54.0

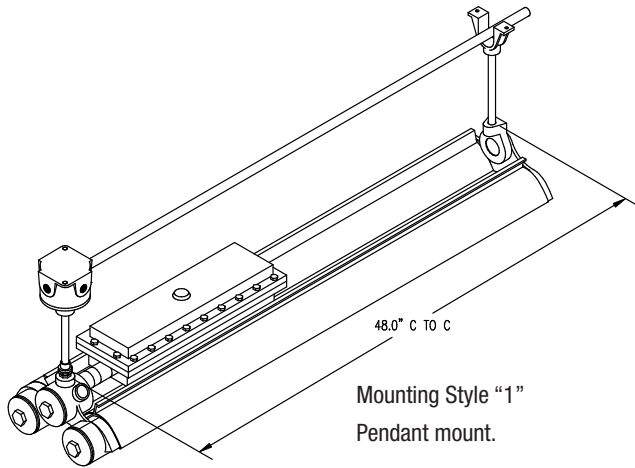
MOUNTING OPTIONS



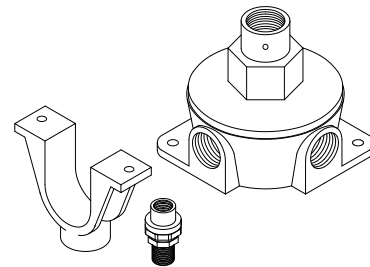
ZP1093MTK Surface/Ceiling mount kit.
 2 brackets. (Included in mounting style "3")



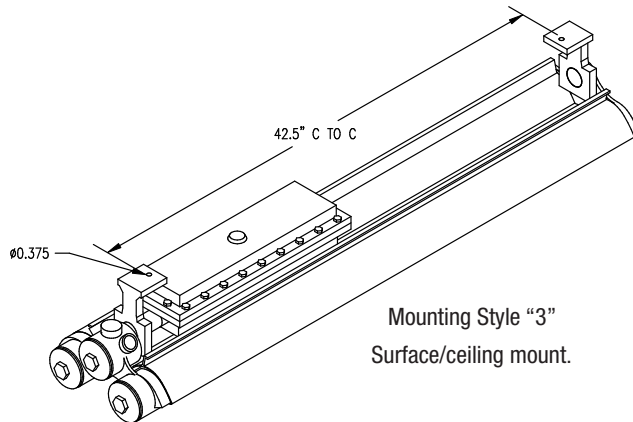
Mounting Style "0"
 Low profile, 3 position pendant mount.



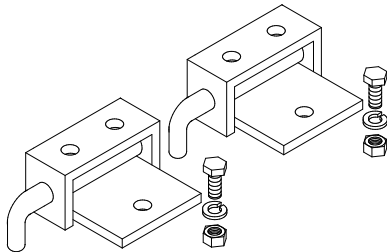
Mounting Style "1"
 Pendant mount.



ZP1095MTK Pendant mount kit.
 1 - 1/2" union, saddle strap, Class I, Div.1 box & cover
 with 1/2" NPT hubs. (For use with mounting style "1")



Mounting Style "3"
 Surface/ceiling mount.



ZP1099MTK
 Drop bracket mounting kit.
 2 drop brackets & support cable. 2 kits required for 4 lamp
 model. (For use with mounting style "3" only.)

