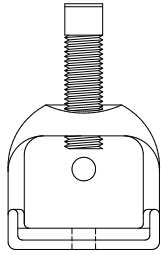
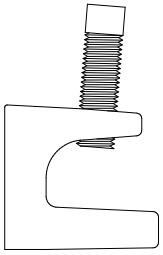


XPFMax Performer/al

ACCESSORIES



1.1250"
Jaw opening

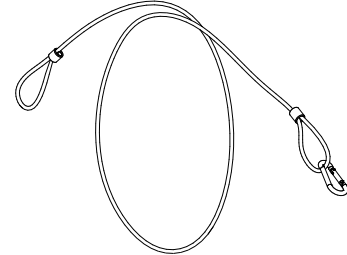
0.3125"
Mounting holes

1/2" Set Screw

BEAM CLAMP KITS

BC2K

2 Beam clamp kit.
For use with Ceiling/Surface mount "3".
(2 kits required for 4 tube model).



SC30H

48" Safety Cable.
Stainless steel with snap hook.

ZP-BCKT

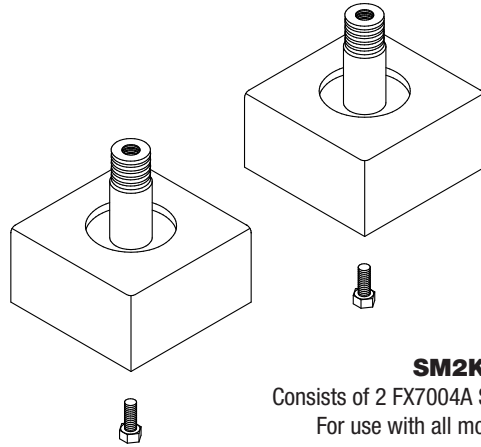
Includes BC2K and SC30H

ZP-SMKT

Includes BC2K, SC30H and SM2K

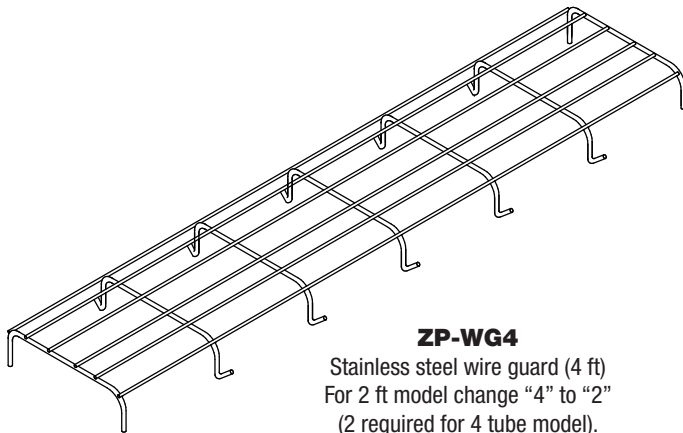
ZP-DPKT

Includes BC2K, SC30H and ZP1099MTK.



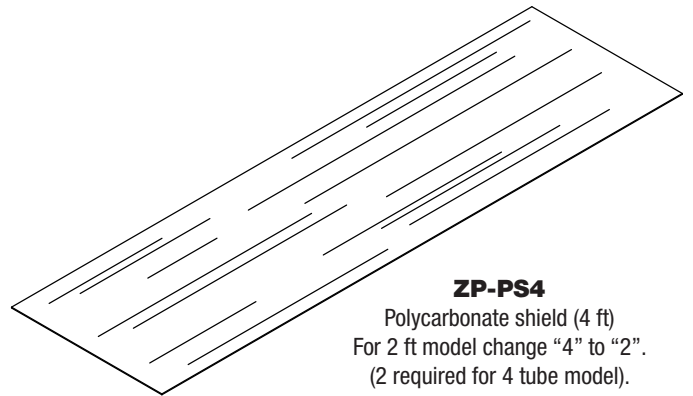
SM2K

Consists of 2 FX7004A Shock mount kit.
For use with all mounting kits.



ZP-WG4

Stainless steel wire guard (4 ft)
For 2 ft model change "4" to "2"
(2 required for 4 tube model).



ZP-PS4

Polycarbonate shield (4 ft)
For 2 ft model change "4" to "2".
(2 required for 4 tube model).