

ProConnect 96/wd

Watertight Receptacle for FS Box Mounting - Type 4

ORDERING REFERENCES

| PART NUMBER | DESCRIPTION |
|-------------|----------------------------------|
| NRL 96-1 | 125 Volt 15 Amp (5-15R) |
| NRL 96-2 | 250 Volt 15 Amp (6-15R) |
| NRL 96-3 | 125 Volt 20 Amp (5-20R) |
| NRL 96-4 | 250 Volt 20 Amp (6-20R) |
| NRL 96-5 | 120 Volt 15 Amp Locking (L5-15R) |
| NRL 96-6 | 250 Volt 15 Amp Locking (L6-15R) |
| NRL 96-7 | 277 Volt 15 Amp Locking (L7-15R) |

CARTON SPECIFICATIONS

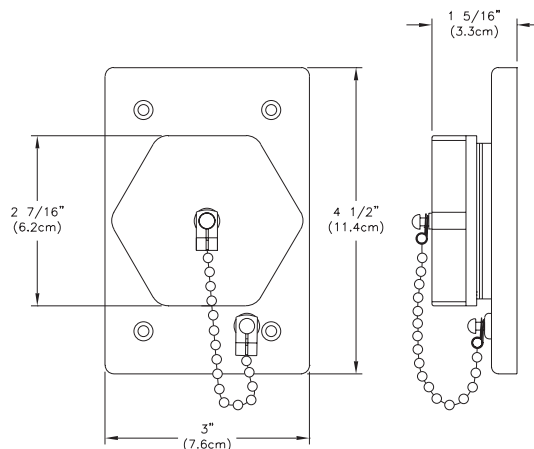
| Quantity Per Carton | Weight Per Carton Lbs (Kg) | Size of Carton FT ³ (M ³) |
|---------------------|----------------------------|--------------------------------------------------|
| 10 | 7.7 (3.5) | 0.4 (0.012) |

SPARE PARTS

| Part No. | Description | Weight | |
|----------|------------------------------|--------|------|
| | | Lbs | Kg |
| NRL9604 | Cast housing | 0.26 | 0.12 |
| NRL9601 | Closed cap assembly | 0.24 | 0.11 |
| NRL9603 | Neoprene gasket | 0.04 | 0.02 |
| NRL9611 | Receptacle, 125 Volt 15 Amp | 0.11 | 0.05 |
| NRL9621 | Receptacle, 250 Volt 15 Amp | 0.11 | 0.05 |
| NRL9631 | Receptacle, 125 Volt 20 Amp | 0.11 | 0.05 |
| NRL9641 | Receptacle, 250 Volt 20 Amp | 0.11 | 0.05 |
| NRL9651 | Receptacle, 120 Volt 15 Amp* | 0.11 | 0.05 |
| NRL9661 | Receptacle, 250 Volt 15 Amp* | 0.11 | 0.05 |
| NRL9671 | Receptacle, 277 Volt 15 Amp* | 0.11 | 0.05 |

*Locking type interiors

DIMENSIONS



NRL96