

6F Conduit Sealing Fittings With Drains

Cl. I, Div. 1 & 2, Groups B, C, D§ Explosionproof
 Cl. II, Div. 1, Groups E, F, G Dust-Ignitionproof
 Cl. II, Div. 2, Groups F, G
 Cl. III

6F

Applications:

- EYD drain and EZD drain and inspection sealing fittings:
- Restrict the passage of gases, vapors or flames from one portion of the electrical installation to another at atmospheric pressure and normal ambient temperatures
 - Limit explosions to the sealed-off enclosure
 - Prevent precompression or "pressure piling" in conduit systems

Drain sealing fittings are installed in vertical conduit runs and at low points in conduit systems to prevent accumulation of condensate above seal.

For sealing fittings requirements see page 139.

Features:

- EYD and EZD drain sealing fittings include:
- Drain to provide continuous, automatic drainage of condensate
 - Large openings with threaded closures to provide easy access to conduit hubs for making dams
 - Integral bushings to protect conductor insulation from damage
 - Taper-tapped hubs to ensure ground continuity
- EZD drain and inspection sealing fittings also include:
- Removable covers for periodic inspection of seals
 - Barrier for sealing compound easily installed after dams are made and before compound is poured.

Certifications and Compliances:

- NEC/CEC:
 - EYD11-101, 116-1016**
 Class I, Division 1 & 2, Groups B, C, D
 Class II, Division 1, Groups E, F, G
 Class II, Division 2, Groups F, G
 Class III
 - EYD1-10, 16-106, EZD10-60, 111-611**
 Class I, Division 1 & 2, Groups C, D
 Class II, Division 1, Groups F, G
 Class II, Division 2, Groups F, G
 Class III
- UL Standard: 1203
- CSA Standard: C22.2

Standard Materials:

- Bodies, and inspection or drain covers – *Feraloy*® iron alloy and/or ductile iron
- Closure for drain – copper-free aluminum or ductile iron
- Small closure plug – *Feraloy* iron alloy and/or steel
- Drain – stainless steel
- Removable nipples – steel

Standard Finishes:

- Feraloy* iron alloy and ductile iron – electrogalvanized and aluminum acrylic paint
- Copper-free aluminum – natural
- Stainless steel – natural
- Steel – electrogalvanized

Options:

Description
 Copper-free aluminum bodies, nipples and enclosures

Suffix
 SA

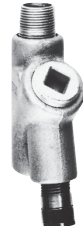
Size Ranges:

- EYD – ½" – 4"
- EZD – ½" – 2"

Ordering Information - EYD



½" – 1"
 Female hub



½" – 1"
 Male & female hub



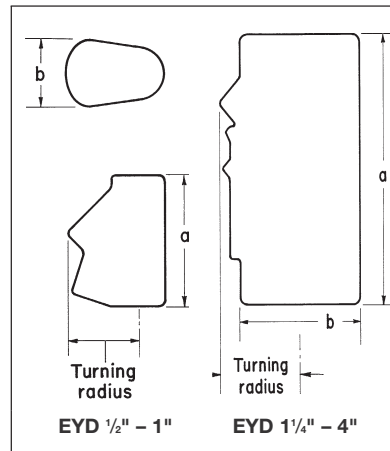
1¼" – 4"
 Female hub



1¼" – 4"
 Male & female hub

Hub Size	Female Hub Cat. #	Male & Female Hub Cat. #	Female Hub Cat. #	Male & Female Hub Cat. #	Approximate Internal Volume in Cubic Inches
½	EYD1*	EYD16*	EYD11	EYD116	1
¾	EYD2*	EYD26*	EYD21	EYD216	2
1	EYD3*	EYD36*	EYD31	EYD316	3¾
1¼	EYD4*	EYD46*	EYD41	EYD416	8
1½	EYD5*	EYD56*	EYD51	EYD516	10¾
2	EYD6*	EYD66*	EYD61	EYD616	20
2½	EYD7*	EYD76*	EYD71	EYD716	35
3	EYD8*	EYD86*	EYD81	EYD816	57
3½	EYD9*	EYD96*	EYD91	EYD916	75
4	EYD10*	EYD106*	EYD101	EYD1016	105

Dimensions In Inches



EYD Drain Seal

Size	a	b	Turning Radius
½	3 ³ / ₃₂	1¼	1 ⁵ / ₈
¾	3 ¹¹ / ₁₆	1½	1 ²⁹ / ₃₂
1	4 ³ / ₁₆	2 ³ / ₁₆	2 ³ / ₈
1¼	5 ¹ / ₁₆	2 ³ / ₁₆	1-27 ¹ / ₃₂ †
1½	5½	2 ⁷ / ₁₆	2-1 ¹ / ₁₆ †
2	6¼	3	2-5 ¹ / ₁₆ †
2½	7½	3½	2-11 ¹ / ₁₆ †
3	8½	4¼	3-5 ¹ / ₁₆ †
3½	9 ³ / ₁₆	4¾	3-7 ¹ / ₁₆ †
4	9¾	5¼	3-1½†

†With cover removed.
 *Available in copper-free aluminum – to order, add suffix SA to Cat. No.
 Sealing Fittings are approved for use in hazardous locations only when *Chico*® X fiber and *Chico A* sealing compound or *Chico SpeedSeal* are used to make the seal.
 §See Certifications and Compliances for classification of each product.

Conduit Sealing Fittings with Drain and Inspection Cover

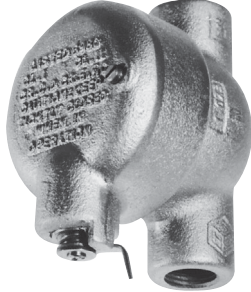
Chico Sealing Compound and Fiber
see pages 155–156

Cl. I, Div. 1 & 2, Groups C, D Explosionproof
Cl. II, Div. 1, Groups E, F, G Dust-Ignitionproof
Cl. II, Div. 2, Groups F, G
Cl. III

6F

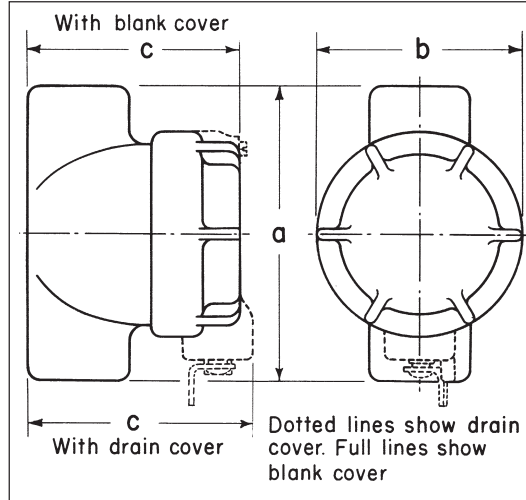
6F

EZD With Drain Cover



Hub Size	Cat. #	Approximate Internal Volume in Cubic Inches
1/2	EZD111	5
3/4	EZD211	6
1	EZD311	10
1 1/4	EZD411	11
1 1/2	EZD511	13
2	EZD611	40

Dimensions In Inches:



EZD Drain and Inspection Seals

Size	a	b	Drain Cover c	Turning Radius†
1/2	4 ³ / ₁₆	3	3 ³ / ₈	2 ¹ / ₁₆
3/4	4 ³ / ₁₆	3	3 ⁵ / ₈	2 ³ / ₁₆
1	4 ¹⁵ / ₁₆	3 ¹ / ₂	3 ⁷ / ₈	2 ⁷ / ₁₆
1 1/4	4 ¹⁵ / ₁₆	3 ¹ / ₂	4 ⁵ / ₁₆	2 ⁵ / ₈
1 1/2	5 ³ / ₁₆	3 ¹ / ₂	4 ⁹ / ₁₆	2 ¹¹ / ₁₆
2	7 ¹ / ₈	5 ¹ / ₁₆	5 ¹ / ₄	3 ¹¹ / ₁₆

†With cover removed.