

FSQC Arktite® Dead Front Interlocked Receptacles and Switches

APJ/NPJ Arktite Plugs

Cl. I, Div. 1 and 2, Groups B, C, D
 Cl. II, Div. 1 and 2, Groups F, G
 Cl. III
 NEMA/EEMAC 3, 7BCD, 9FG, 12

Explosionproof
 Dust-Ignitionproof
 Raintight
 Wet Locations

4P

FSQC Receptacles With Spring Door Through Feed Hubs

Horsepower Rating:

| Amps | Single Phase | | | |
|------|--------------|------|------|------|
| | 120V | 240V | 480V | 600V |
| 30A | 2 | 5 | 7½ | 7½ |
| 60A | — | 10 | 25 | 30 |

| Amps | Three Phase | | | |
|------|-------------|------|------|------|
| | 120V | 240V | 480V | 600V |
| 30A | 3 | 7½ | 15 | 15 |
| 60A | — | 10 | 25 | 30 |



Ordering Information:

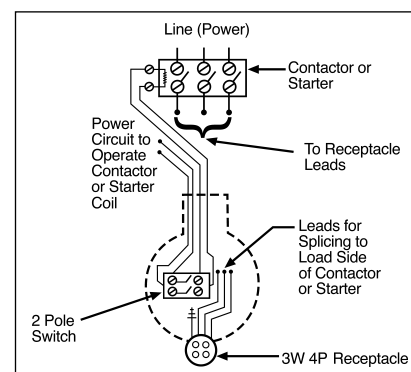
| Amps | Hub | Config. | Description | Cat. # | Matching Plug |
|------|-----|---------|---------------|----------|---------------|
| 30A | ¾" | 2W3P | 2-Pole Switch | FSQC2320 | APJ3385 |
| | | 3W4P | 3-Pole Switch | FSQC2430 | APJ3485 |
| | 1" | 2W3P | 2-Pole Switch | FSQC3320 | APJ3385 |
| | | 3W4P | 3-Pole Switch | FSQC3430 | APJ3485 |
| 60A | 1½" | 2W3P | 2-Pole Switch | FSQC5630 | APJ6385 |
| | | 3W4P | 3-Pole Switch | FSQC5640 | APJ6485 |

FSQC for Use with Magnetic Motor Starters or Contactors

FSQC units listed below operate in the same way as standard units but are intended *only for use with magnetic motor starters or contactors* (see Wiring Diagram 1).

Receptacles have leads for splicing to conductors from the load side of contactor. The switch actuated by the plug is wired into the starter or contactor coil circuit and controls only this circuit. The starter or contactor is energized only when the plug is fully inserted and rotated to close the switch. Since the plug is inserted or withdrawn only when the switch is open, the circuit cannot be made or broken under the load.

Plugs used are standard APJ units and special polarity units listed are recommended where interchange with devices for other wiring systems is possible.



Wiring Diagram 1
 FSQC2390 and 3390 only

FSQC Receptacles With Spring Door Through Feed Hubs

| No. of Poles | Hub Size | Receptacle Cat. # | Cable Dia. | Mating Plug Cat. # | |
|---------------------------------------|----------|-------------------|-------------|--------------------|------------|
| Standard Configuration | | | | | |
| 3W, 4P | ¾" | FSQC2390 | } 0.39-1.20 | APJ3485 | |
| 3W, 4P | 1" | FSQC3390 | | } 0.55-0.70 | NPJ3483 |
| 3W, 4P | 1" | | | } 0.70-0.85 | NPJ3484 |
| Special Polarity Configuration | | | | | |
| 3W, 4P | ¾" | FSQC2390 S4 | } 0.39-1.20 | APJ3485 S4 | |
| 3W, 4P | 1" | FSQC3390 S4 | | } 0.55-0.70 | NPJ3483 S4 |
| 3W, 4P | 1" | | | } 0.70-0.85 | NPJ3484 S4 |