

ETH Horn Signals

Cl. I, Div. 1 & 2, Groups B†, C, D
 Cl. II, Div. 1, Groups E, F, G
 Cl. II, Div. 2, Groups F, G
 Cl. III
 NEMA 7B†CD, 9EFG

Explosionproof
 Dust-Ignitionproof
 Raintight
 Wet Locations

5S

Factory Sealed

Applications:

ETH horn signals are used:

- For call signals, alarms, and various other signalling applications
- In specific hazardous atmospheres as found in chemical plants, oil and gas refineries, bulk loading stations, paint and varnish manufacturing plants, grain processing industries and grain elevators, as well as in certain metal, coal, combustible fiber processing or handling areas
- In conduit systems and mounted on a flat surface with the projectors aimed in the desired direction

Features:

- No external conduit seal is required.
- The AC signals do not have arcing contacts.
- The DC horns have factory sealed wire leads in the interconnecting nipple and hub.
- The body cover joint of AC horn signals is of serrated construction, machined to close tolerance to ensure flametightness and secured by a clamping ring. The DC unit has a ground joint design.

Certifications and Compliances:

- NEC:
 - Class I, Division 1 & 2, Groups B†, C, D
 - Class II, Division 1, Groups E, F, G
 - Class II, Division 2, Groups F, G
 - Class III
- UL Standard: 464, 1203
- CSA Standard: C22.2 No. 30

Standard Materials:

- Copper-free aluminum

Standard Finishes:

- Natural

Size Ranges:

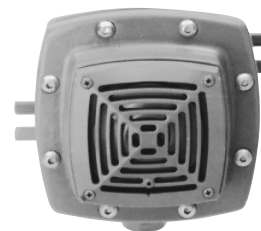
- Hub – 1/2" or 3/4" size

Sound Levels:

- See Ordering Information table for individual ratings

Electrical Rating Ranges:

- Nominal voltage – 24, 115, 230 VAC 24 VDC



ETH grill type horn signal

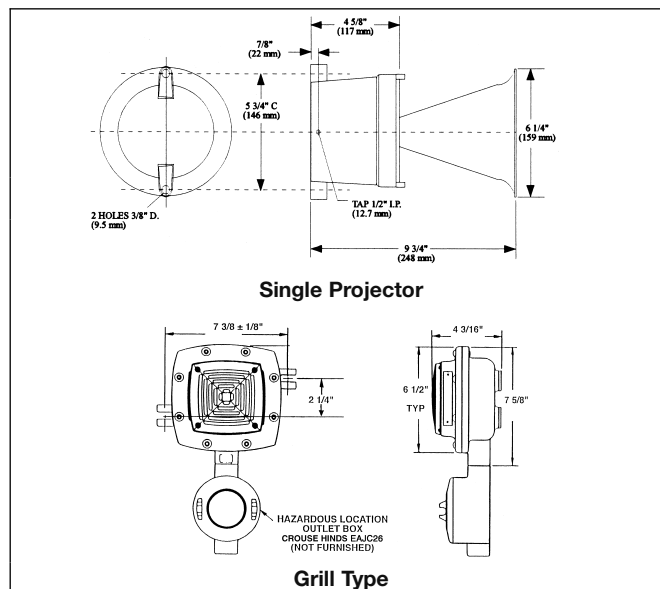
Table 1
Operating Current in Amperes at the Nominal Voltage for Horn and Siren Signals
Horn Signal

Nom. Volts	Amperes		DC ETH2416
	Single Projector	Grill Type	
24	50 to 60 hertz AC	50 to 60 hertz AC	0.16
115	ETH2702, ETH2703	ETH2313, ETH2316, ETH2312	
230			

Ordering Information:

Supply	Nom. Volts*	Nom. Watts	Minimum audibility rating (dB) at 10':	Hub Size	Cat. #
Single Projector Horn Signal					
50 to 60 hertz AC	115	33	105 dB	1/2	ETH2703
	230	33	105 dB	1/2	ETH2702
Grill Type Horn Signals					
50 to 60 hertz AC	24		100 dB	3/4	ETH2316
	115	49	100 dB	3/4	ETH2313
	230		100 dB	3/4	ETH2312
DC	24	30	100 dB	3/4	ETH2416

Dimensions In Inches:



†Grill type horns are certified for Group B.
 * See Table 1 for more complete ratings

