

# FSQC Arktite® Dead Front Interlocked Receptacles and Switches

## APJ/NPJ Arktite Plugs

Cl. I, Div. 1 and 2, Groups B, C, D  
 Cl. II, Div. 1 and 2, Groups F, G  
 Cl. III  
 NEMA/EEMAC 3, 7BCD, 9FG, 12

Explosionproof  
 Dust-Ignitionproof  
 Raintight  
 Wet Locations

**4P**

### FSQC Receptacles With Spring Door Through Feed Hubs

#### Horsepower Rating:

Amps	Single Phase			
	120V	240V	480V	600V
30A	2	5	7½	7½
60A	—	10	25	30

Amps	Three Phase			
	120V	240V	480V	600V
30A	3	7½	15	15
60A	—	10	25	30



#### Ordering Information:

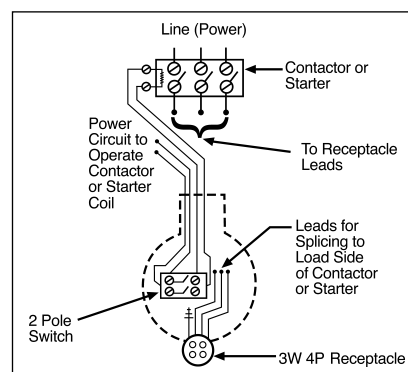
Amps	Hub	Config.	Description	Cat. #	Matching Plug
30A	¾"	2W3P	2-Pole Switch	FSQC2320	APJ3385
		3W4P	3-Pole Switch	FSQC2430	APJ3485
	1"	2W3P	2-Pole Switch	FSQC3320	APJ3385
		3W4P	3-Pole Switch	FSQC3430	APJ3485
60A	1½"	2W3P	2-Pole Switch	FSQC5630	APJ6385
		3W4P	3-Pole Switch	FSQC5640	APJ6485

### FSQC for Use with Magnetic Motor Starters or Contactors

FSQC units listed below operate in the same way as standard units but are intended *only for use with magnetic motor starters or contactors* (see Wiring Diagram 1).

Receptacles have leads for splicing to conductors from the load side of contactor. The switch actuated by the plug is wired into the starter or contactor coil circuit and controls only this circuit. The starter or contactor is energized only when the plug is fully inserted and rotated to close the switch. Since the plug is inserted or withdrawn only when the switch is open, the circuit cannot be made or broken under the load.

Plugs used are standard APJ units and special polarity units listed are recommended where interchange with devices for other wiring systems is possible.



**Wiring Diagram 1**  
 FSQC2390 and 3390 only

### FSQC Receptacles With Spring Door Through Feed Hubs

No. of Poles	Hub Size	Receptacle Cat. #	Cable Dia.	Mating Plug Cat. #	
<b>Standard Configuration</b>					
3W, 4P	¾"	FSQC2390	} 0.39-1.20	APJ3485	
3W, 4P	1"	FSQC3390		} 0.55-0.70	NPJ3483
3W, 4P	1"			} 0.70-0.85	NPJ3484
<b>Special Polarity Configuration</b>					
3W, 4P	¾"	FSQC2390 S4	} 0.39-1.20	APJ3485 S4	
3W, 4P	1"	FSQC3390 S4		} 0.55-0.70	NPJ3483 S4
				} 0.70-0.85	NPJ3484 S4