

# UL DIN-Rail SPD - High SCCR

BSPM\_ \_ \_ S3G

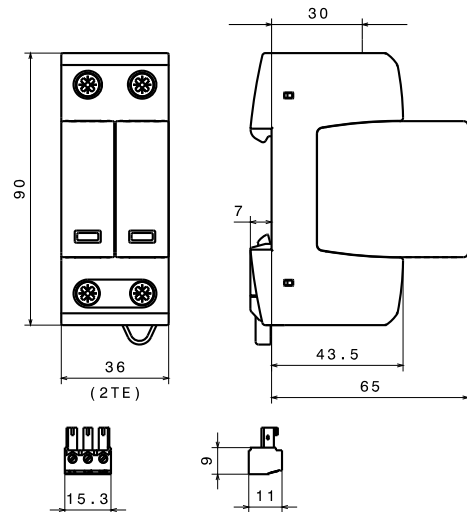
Dimensions - mm



**easyID™**  
Visual Status Indication



Remote Signal  
Contact Available



Shown with optional remote contact signaling

## Description

The Bussmann 2-pole UL modular surge arresters for 120/240, 120/208, 127/254, 240, 240/480, 277/480 and 480Vac (split-phase) systems feature local, *easyID™* visual indication and optional remote contact signaling. The unique module locking system fixes the protection module to the base part. Modules can be easily replaced without tools by simply depressing the release buttons. Integrated mechanical coding between the base and protection module ensures against installing an incorrect replacement module.

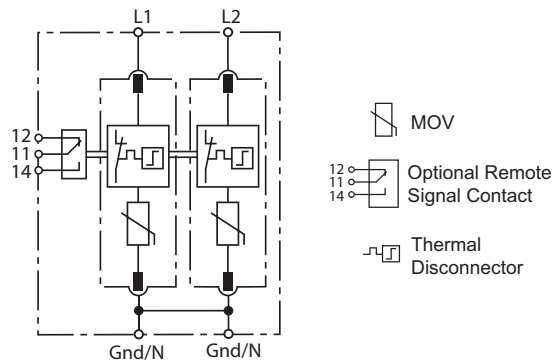
## Features

- Surge arrester according to UL 1449 3<sup>rd</sup> Edition, Type 2 Component Assembly helps meet UL 508A requirements
- Heavy-duty zinc oxide varistors for high discharge capacity
- "Thermo Dynamic Control" SPD monitoring device ensures high reliability against surge events
- Module locking system with module release button make module replacement easy without tools
- Up to 200kA Short-Circuit Current Rating (SCCR) make higher *assembly* SCCR ratings possible
- Optional remote signaling of all protection modules make status monitoring easy and accurate in any monitoring scheme
- No upstream overcurrent protection necessary to make installation easier and more economical
- Vibration and shock tested according to EN 60068-2 to withstand harsh environments

## Optional Remote Signaling Contact

The remote signaling contact versions have a floating changeover contact for use as a break or make contact for easy adoption in any monitoring application.

## Circuit Diagram



**BSPM2240S3G, BSPM2480S3G\***

Shown with optional remote contact signaling

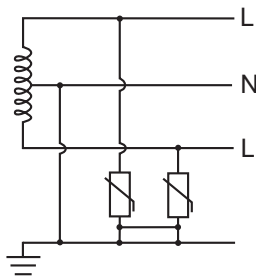
\*For remote signaling contact, add "R" suffix to the part number, e.g., BSPM2480S3GR

Data Sheet: 2150

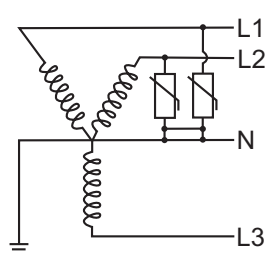
# UL DIN-Rail SPD - High SCCR

ORDERING INFORMATION		
Nominal System Voltage		120/240, 240Vac
Max. Continuous Operating Voltage MCOV [L-G/L-L]		275/550Vac
Catalog Numbers:	Without Remote Signaling	BSPM2240S3G
	With Remote Signaling	BSPM2240S3GR
Replacement Module	MOV Technology	BPM275UL
		BPM385UL
SPECIFICATIONS		
Rated Voltage		120-127Vac 240-254Vac 240Vac
Voltage Protection Rating $V_{PR}$ [L-G/L-L]		1kV/1.8kV
Nominal Discharge Current $I_n$ (kA)		20kA
Max. Discharge Current $I_{max}$ (kA)		40kA
Response Time $t_A$		≤25 ns
SCCR		200kA
Frequency		50/60Hz
Number of Poles		2
Number of Wires/Connection Points		2 Wires or 3 Wires / 3 Connection Points
Operating State/Fault Indication		Green (good) / Red (replace)
Cross-Sectional Area (min.)		14AWG - Cu Stranded, Solid or Fine
Cross-Sectional Area (max.)		2AWG - Cu Solid or Stranded, 4AWG - Cu Fine
Terminal Torque		45 lb-in
For Mounting On		35mm DIN-Rail per EN 60715
Enclosure Material		Thermoplastic, UL 94V0
Degree of Protection		IP20 (finger-safe)
Location Category		Indoor
Capacity		2 mods, DIN 43880
Application		UL Type 2 Component Assembly
Standard		UL 1449, 3 <sup>rd</sup> Edition
Agency Information		cURus, CSA, RoHS Compliant
Product Warranty		Five Years*
REMOTE CONTACT SIGNALING		
Remote Contact Signaling Type		Changeover Contact
AC Switching Capacity (Volts/Amps)		250V/0.5A
DC Switching Capacity (Volts/Amps)		250V/0.1A; 125V/0.2A; 75V/0.5A
Conductor Ratings and Cross-Sectional Area for Remote Contact Signal Terminals		60/75°C Max. 1.5mm <sup>2</sup> /14AWG Solid/Flexible
Ordering Information		Order from Catalog Numbers Above

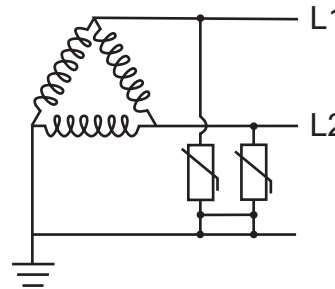
\* See Bussmann SPD Limited Warranty Statement (3A1502) for details at [www.cooperbussmann.com/surge](http://www.cooperbussmann.com/surge).



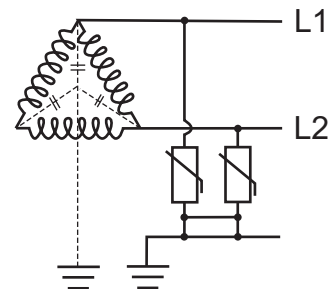
120/240V, 240/480Vac  
Single Phase (Split) Center Tap  
BSPM2240S3G, BSPM2480S3G



120/208V, 277/480Vac  
3 Wire Wye System  
BSPM2240S3G, BSPM2480S3G



2 Wire Corner Grounded Delta



240, 480Vac  
2 Wire Ungrounded Delta  
BSPM2440S3G, BSPM2480S3G